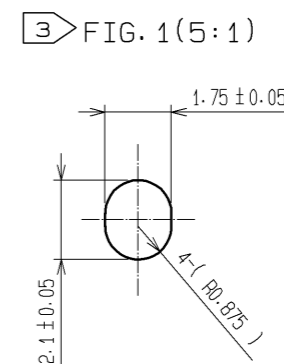
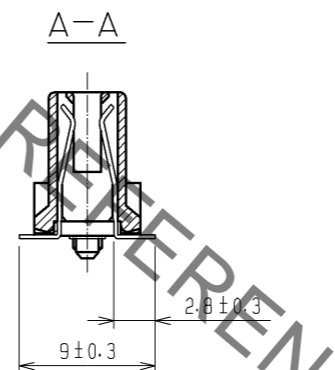
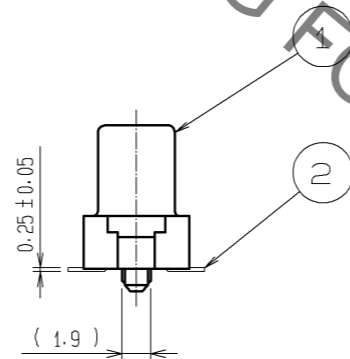
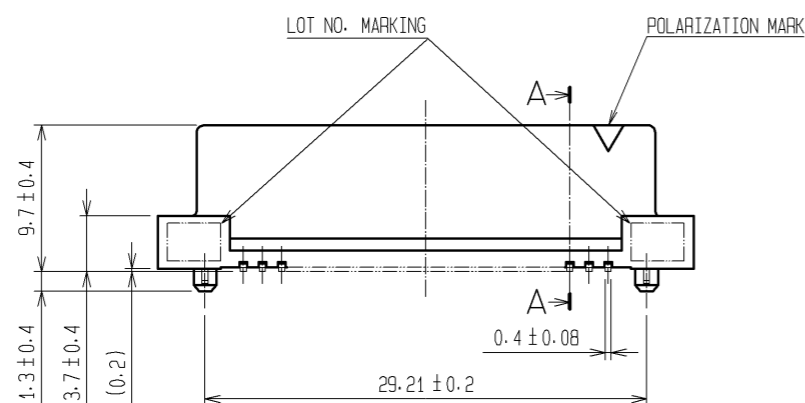
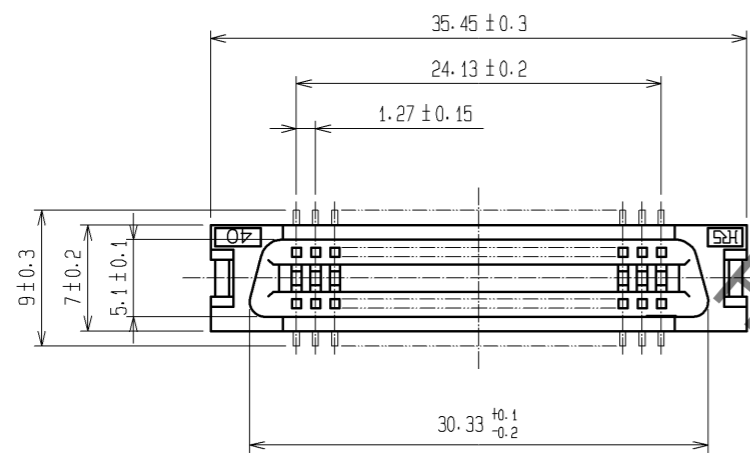
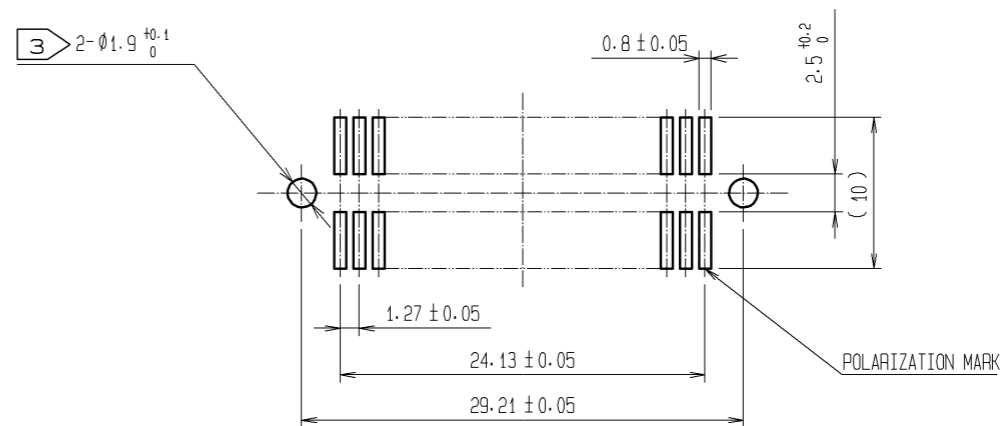


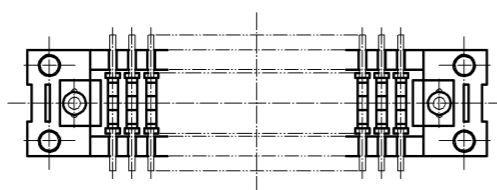
Aug.1.2019 Copyright 2019 HIROSE ELECTRIC CO., LTD. All Rights Reserved.
In case of consideration for using Automotive equipment / device which demand high reliability, kindly contact our sales window correspondents.



RECOMMENDED LAND PATTERN DIMENSION OF PCB (MOUNTING SIDE)
(RECOMMENDED METAL MASK THICKNESS: t=0.2)



- NOTES 1 LEAD CO-PLANARITY SHALL BE 0.15 MAX.
2 THE DIMENSIONS IN PARENTHESES ARE FOR REFERENCE.
3 IN CASE OF THE AUTOMATED MOUNTING, RECOMMENDED HOLE DIAMETER OF BOSS IS SHOWN IN FIG. 1.



1	PPS	LIGHT BROWN UL94V-0	2	PHOSPHOR BRONZE	CONTACT AREA:GOLD 0.2μm min. LEAD AREA:TIN-PLATING 2μm min. UNDER PLATING:NICKEL 1.5μm min.		
NO.	MATERIAL	FINISH . REMARKS	NO.	MATERIAL	FINISH . REMARKS		
UNITS mm		SCALE 2 : 1	COUNT 	DESCRIPTION OF REVISIONS	DESIGNED	CHECKED	DATE
HRS HIROSE ELECTRIC CO., LTD.		APPROVED : HS. OKAWA	08.05.23	DRAWING NO.	EDC3-082414-21		
		CHECED : HS. OZAWA	08.05.23	PART NO.	FX2-40S-1.27SV(71)		
		DESIGNED : KY. NAKAMURA	08.05.23	CODE NO.	CL572-2103-9-71		
		DRAWN : TP. MATSUMOTO	08.05.22				