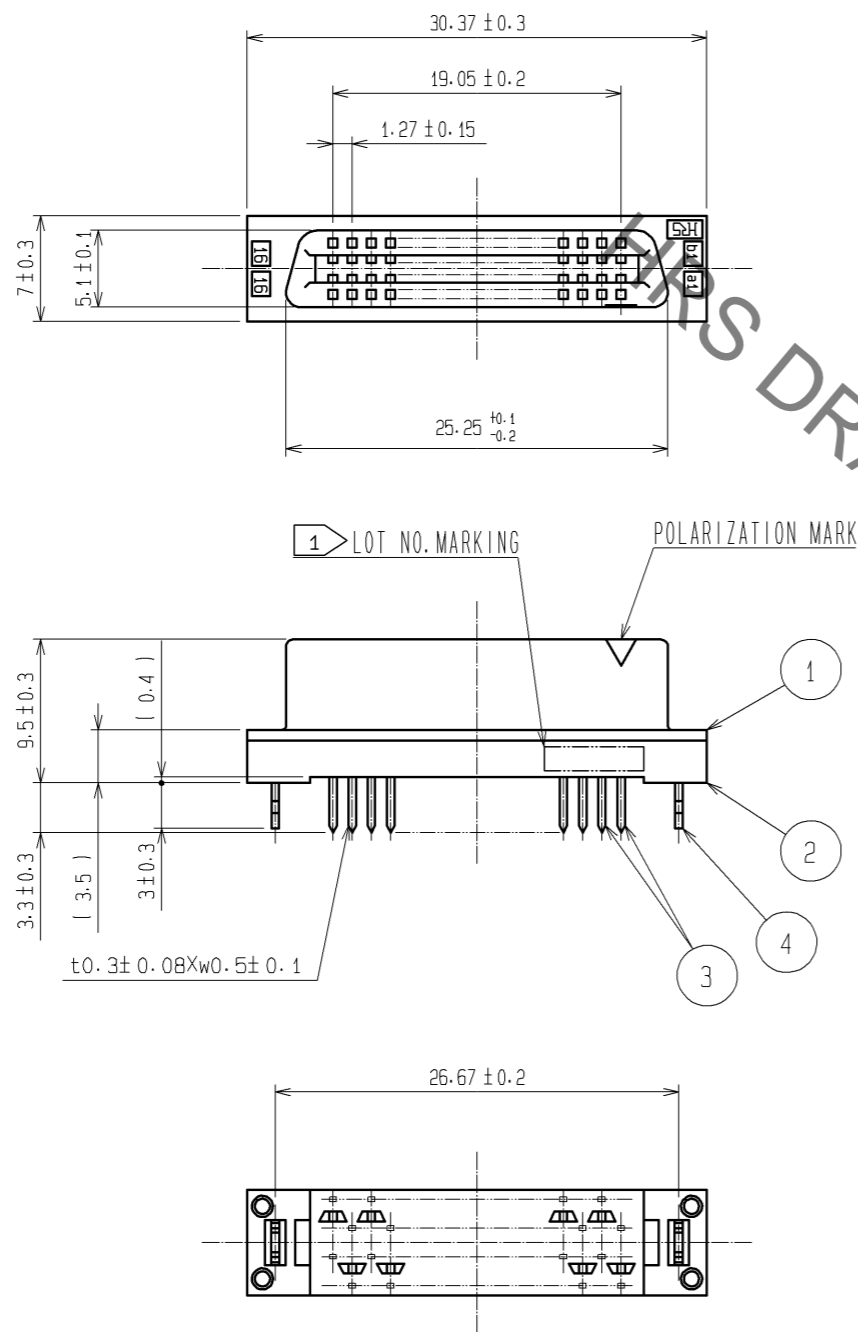
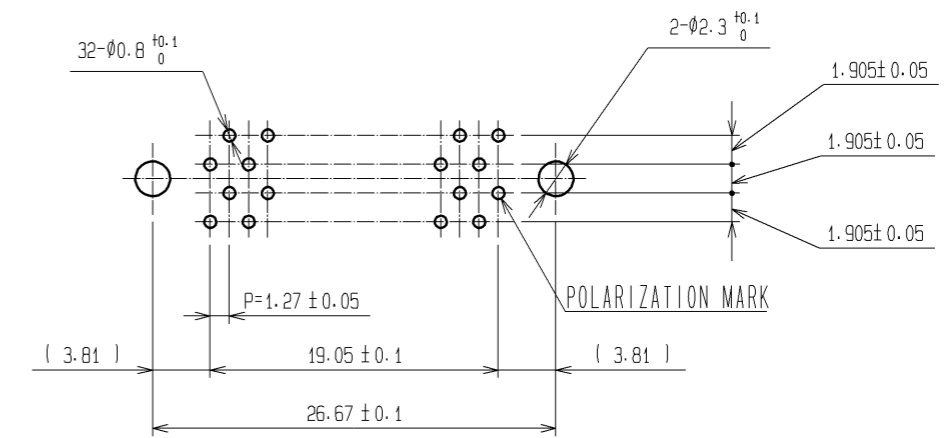


Sep.1.2021 Copyright 2021 HIROSE ELECTRIC CO., LTD. All Rights Reserved.  
 In case of consideration for using Automotive equipment / device which demand high reliability, kindly contact our sales window correspondents.



RECOMMENDED PC BOARD HOLE PATTERN  
 (MOUNTING SIDE)  $t=1.6$



- NOTES
1. LOT NO. MARKING SIDE SHALL BE OPTIONAL.
  2. THE DIMENSIONS IN PARENTHESES ARE FOR REFERENCE.

4	PHOSPHOR BRONZE	TIN-PLATING	3	PHOSPHOR BRONZE	CONTACT AREA : GOLD $0.2 \mu\text{m}$ min.
1.2	POLYAMIDE	BLACK , UL94V-0			DIP AREA : TIN-PLATING $2 \mu\text{m}$ min.
					UNDER PLATING : NICKEL $2 \mu\text{m}$ min.
NO.	MATERIAL	FINISH , REMARKS	NO.	MATERIAL	FINISH , REMARKS
UNITS mm		SCALE 2 : 1	COUNT 	DESCRIPTION OF REVISIONS	
<b>HRS</b> HIROSE ELECTRIC CO., LTD.		APPROVED : HS. OKAWA 07.08.10	DESIGNED	CHECKED	DATE
		CHECED : HS. OZAWA 07.08.10	DRAWING NO. EDC3-083188-21		
		DESIGNED : KY. NAKAMURA 07.08.10	PART NO. FX2C-32S-1.27DSAL(71)		
		DRAWN : TP. MATSUMOTO 07.08.09	CODE NO. CL572-2452-8-71		