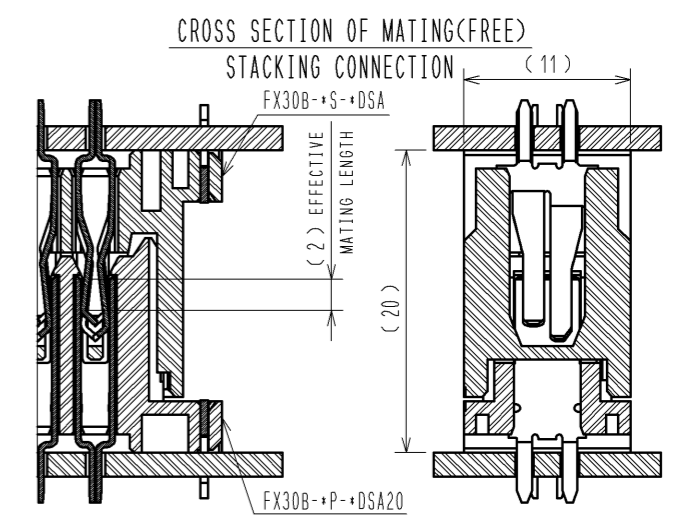
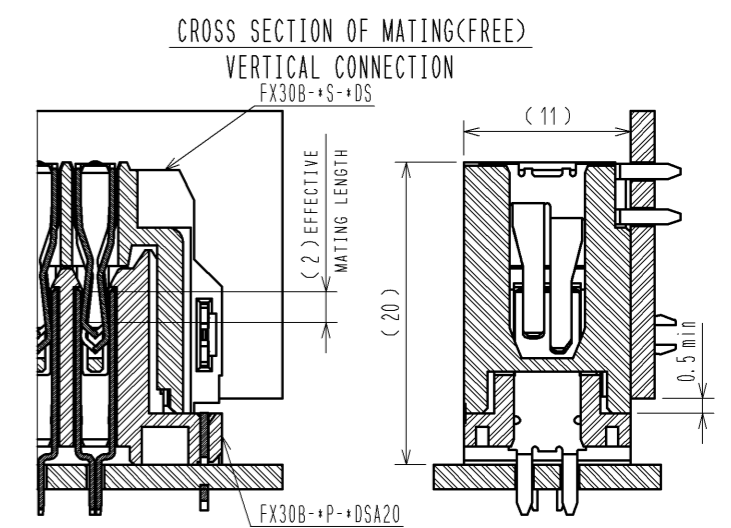
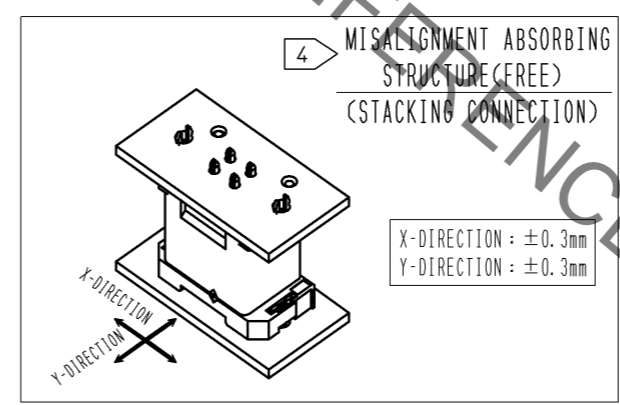
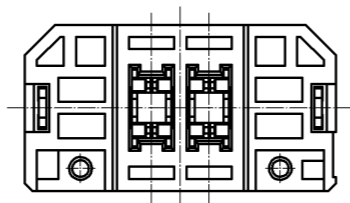
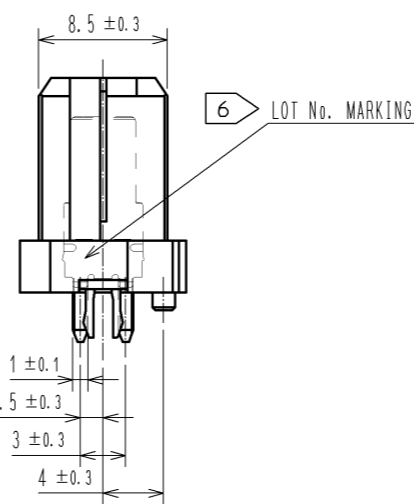
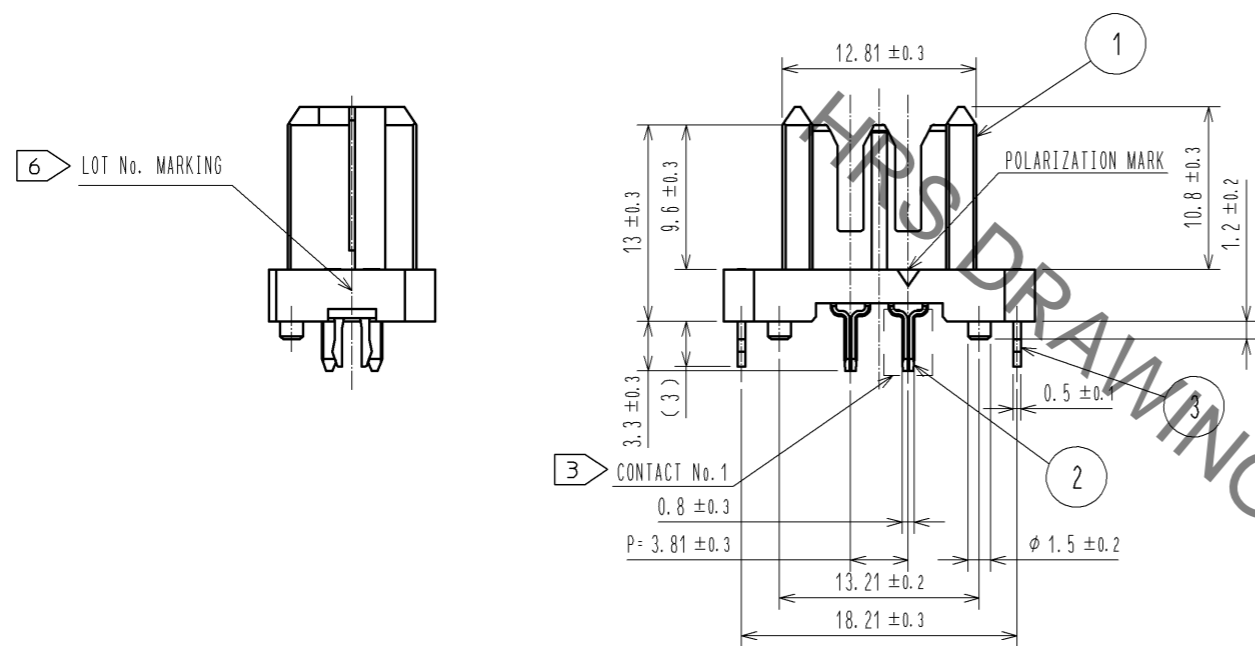
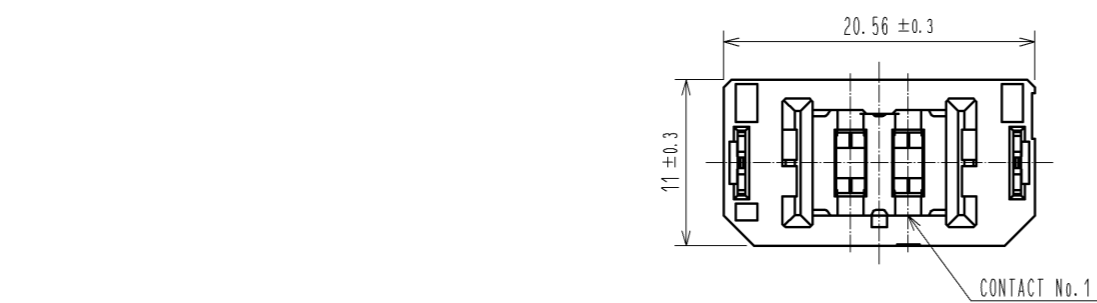


Nov.1.2019 Copyright 2019 HIROSE ELECTRIC CO., LTD. All Rights Reserved.  
In case of consideration for using Automotive equipment / device which demand high reliability, kindly contact our sales window correspondents.

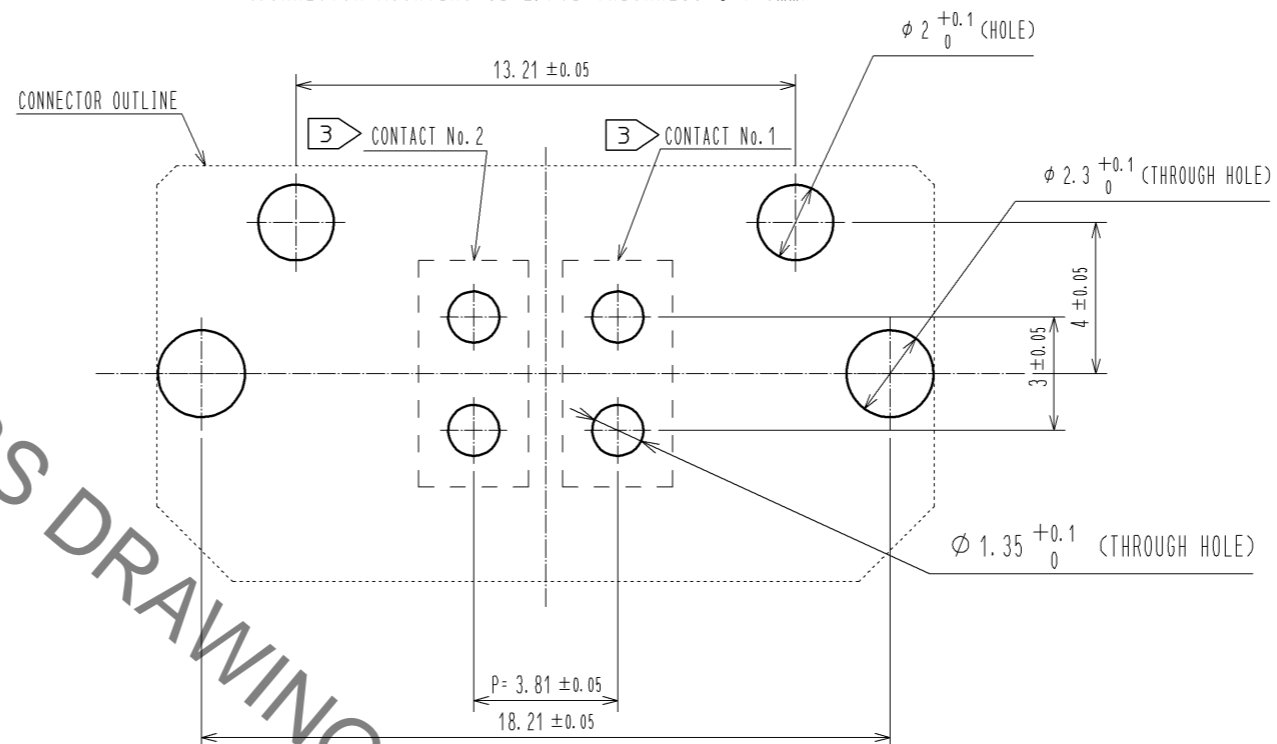


- NOTE
- 1 THIS PRODUCT IS PACKAGED IN TRAY. (49pcs/TRAY)
  - 2 BLEMISH AND HIT MARK CAN BE OCCURED THROUGH OUT THE MANUFACTURING PROCESS WHICH DOESN'T AFFECT QUALITY LEVEL. ALSO, BLACK SPOT COULD BE OBSERVED ON THE SURFACE OF HOUSING.
  - 3 FOR THE CONTACT NO., ADJACENT TWO PAIRS OF LEADS PLACED BACK-TO-BACK (4 LEADS IN TOTAL) COMPOSE ONE LINE.
  - 4 MISALIGNMENT ABSORBING RANGE: ±0.3mm max.
  - 5 THE DIMENSION IN PARENTHESES ARE FOR REFERENCES.
  - 6 LOT NO. IS INDICATED AT EITHER ONE OF THE POSITION AS SHOWN.

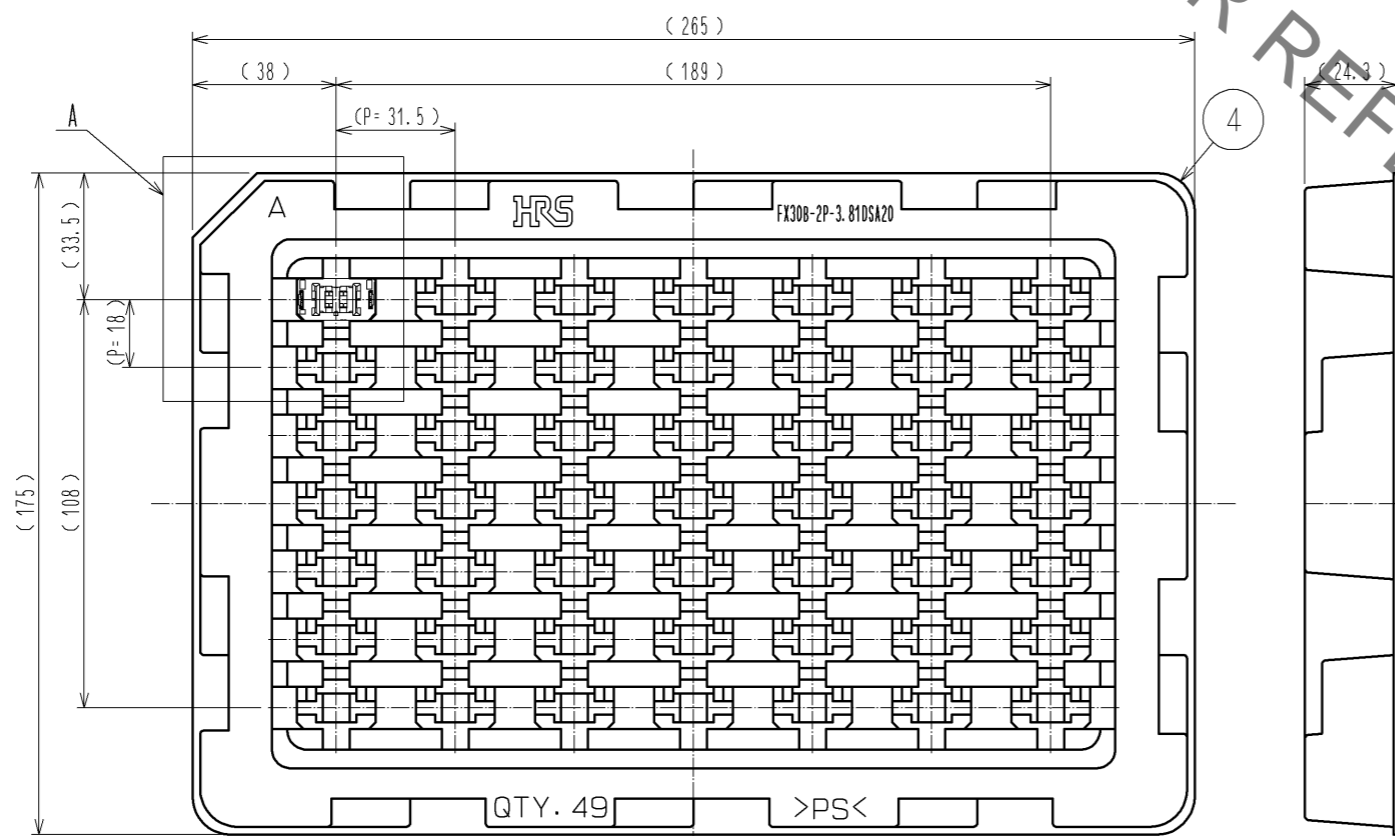
2	COPPER ALLOY	CONTACT AREA:GOLD-PLATING 0.1 μm	4	POLYSTYRENE	3	PHOSPHOR BRONZE	TIN-PLATING 3.0 μm
		LEAD AREA:TIN-PLATING 1.0 μm		UNDER PLATING:NICKEL 1.0 μm		UNDER PLATING:NICKEL 1.0 μm	
		1		POLYAMIDE		BLACK UL94V-0	
NO.	MATERIAL	FINISH . REMARKS	NO.	MATERIAL	FINISH . REMARKS		
UNITS mm		SCALE 2 : 1	COUNT 2	DESCRIPTION OF REVISIONS DIS-F-006956	DESIGNED DK. AIMOTO	CHECKED KI. HIROKAWA	DATE 13. 08. 26
<b>HRS</b> HIROSE ELECTRIC CO., LTD.		APPROVED : HS. OKAWA 13. 03. 07	DRAWING NO. EDC3-347255-00		PART NO. FX30B-2P-3. 81DSA20		CODE NO. CL570-3100-3-00
		CHECED : KI. HIROKAWA 13. 03. 07					
		DESIGNED : DK. AIMOTO 13. 03. 07					1/2
		DRAWN : DK. AIMOTO 13. 03. 07					

Nov.1.2019 Copyright 2019 HIROSE ELECTRIC CO., LTD. All Rights Reserved.  
 In case of consideration for using Automotive equipment / device which demand high reliability, kindly contact our sales window correspondents.

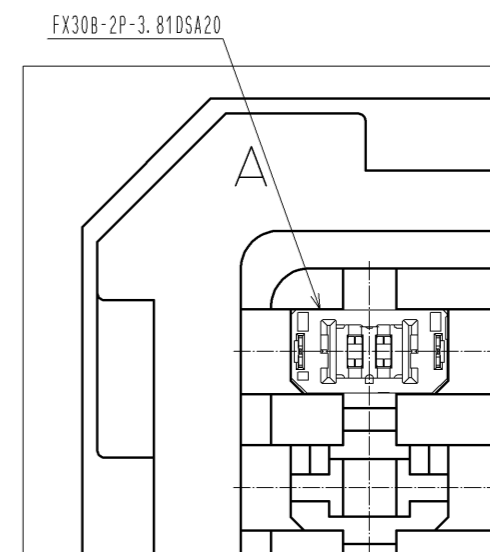
RECOMMENDED HOLE PATTERN DIMENSION OF PCB(5:1)  
 (CONNECTOR MOUNTING SIDE, PCB THICKNESS: t=1.6mm)



DRAWING FOR PACKAGING(1:2)



A(1:1)



HRS DRAWING FOR REFERENCE

<b>HRS</b>	DRAWING NO.	EDC3-347255-00
	PART NO.	FX30B-2P-3.81DSA20
	CODE NO.	CL570-3100-3-00
		2/2