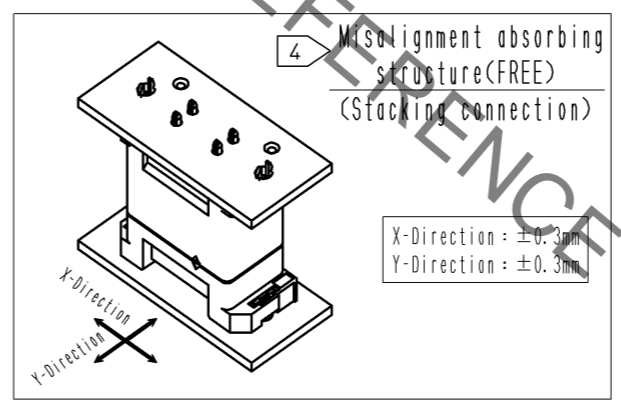
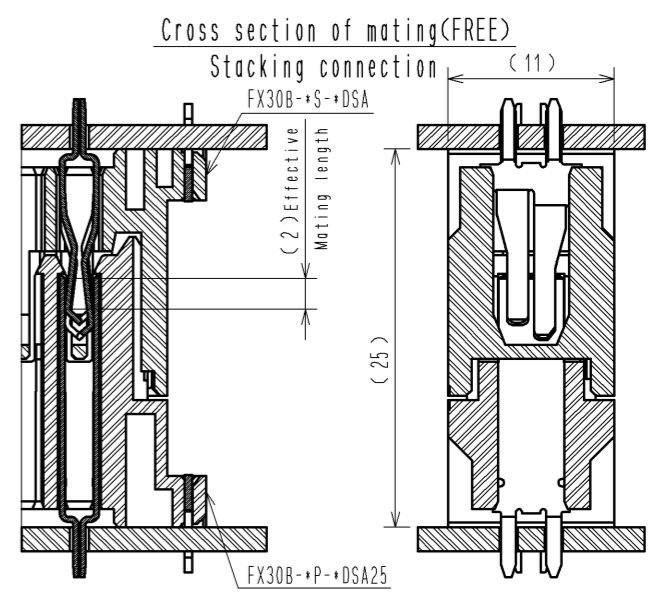
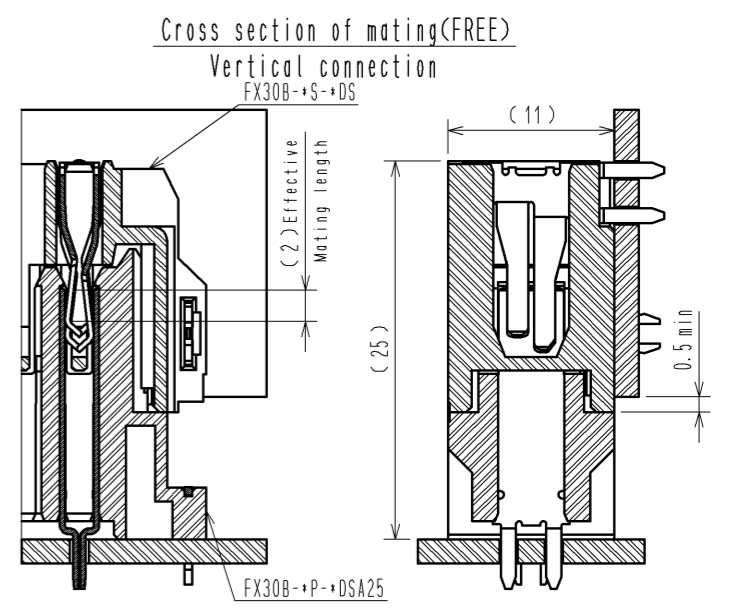
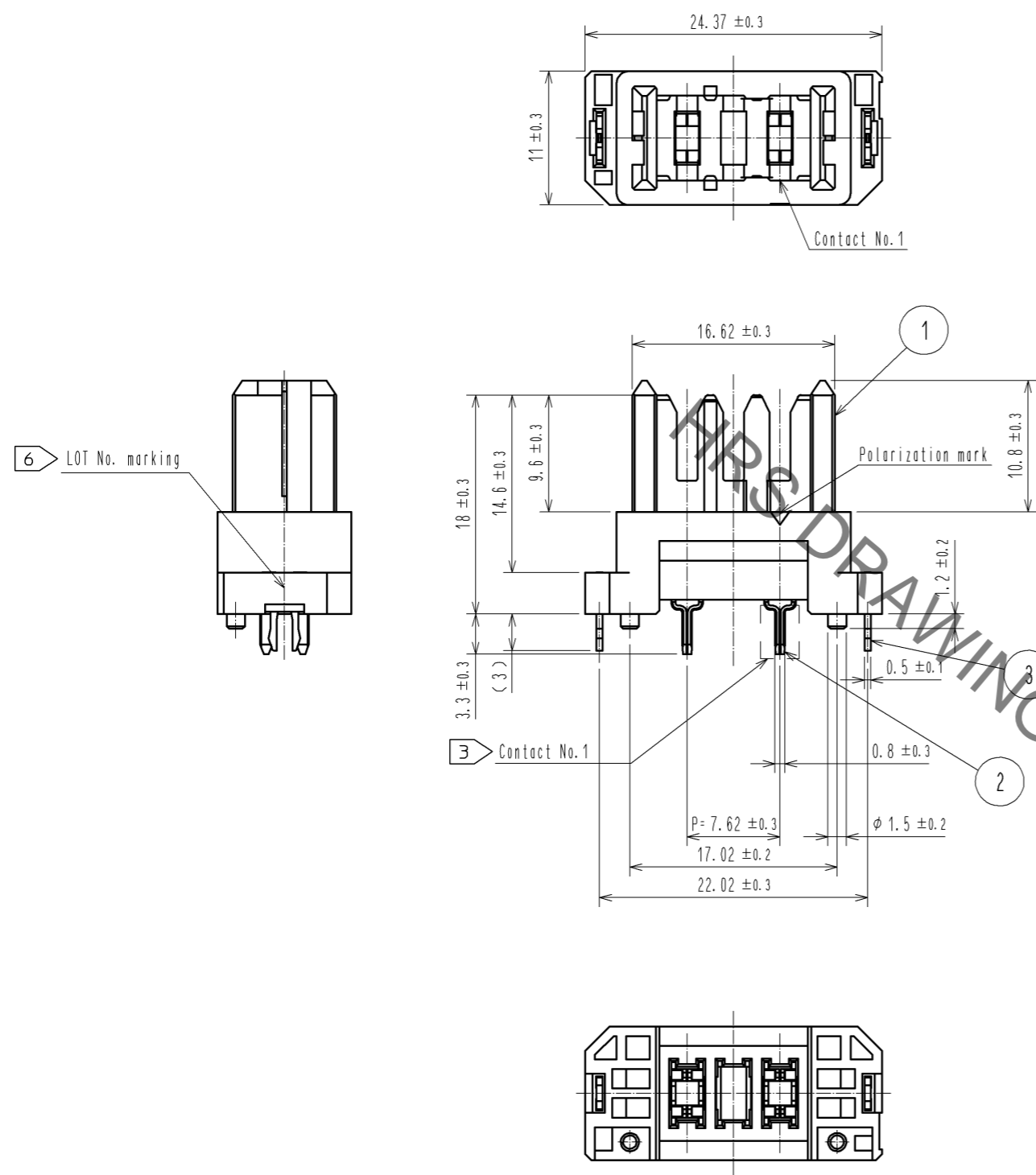


Nov.1.2019 Copyright 2019 HIROSE ELECTRIC CO., LTD. All Rights Reserved.
In case of consideration for using Automotive equipment / device which demand high reliability, kindly contact our sales window correspondents.

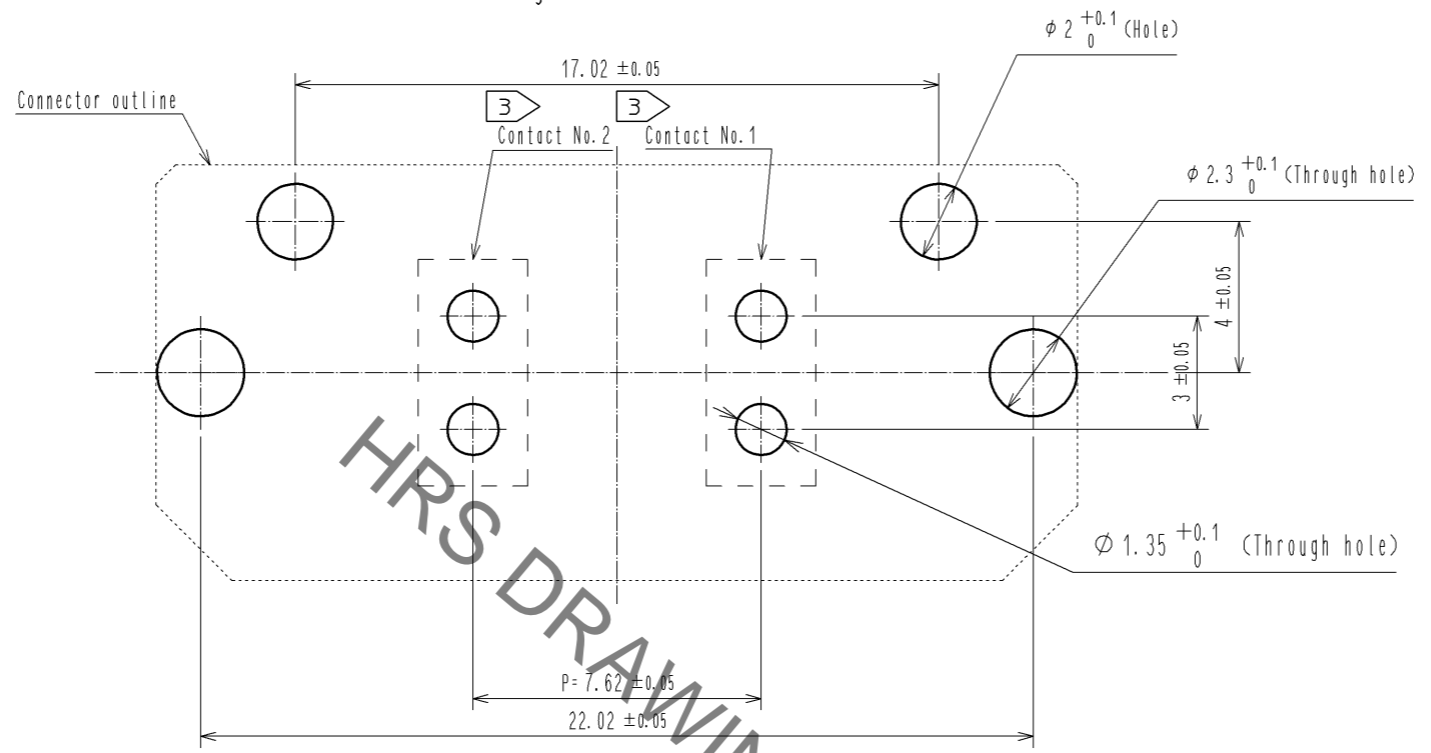


- NOTE
- ① This product is packaged in tray. (42pcs/tray)
 - ② Blemish and hit mark can be occurred through out the manufacturing process which doesn't affect quality level. Also, black spot could be observed on the surface of housing.
 - ③ For the contact NO., adjacent two pairs of leads placed back-to-back (4 leads in total) Compose one line.
 - ④ Misalignment absorbing range: ±0.3mm max.
 - ⑤ The dimension in parentheses are for references.
 - ⑥ Lot NO. is indicated at either one of the position as shown.

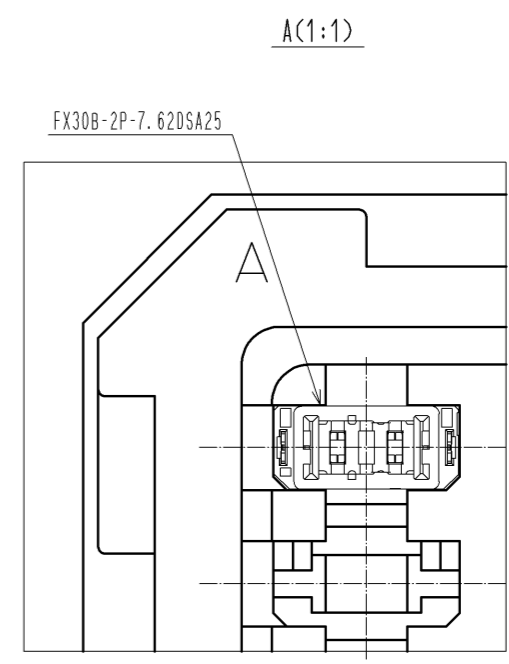
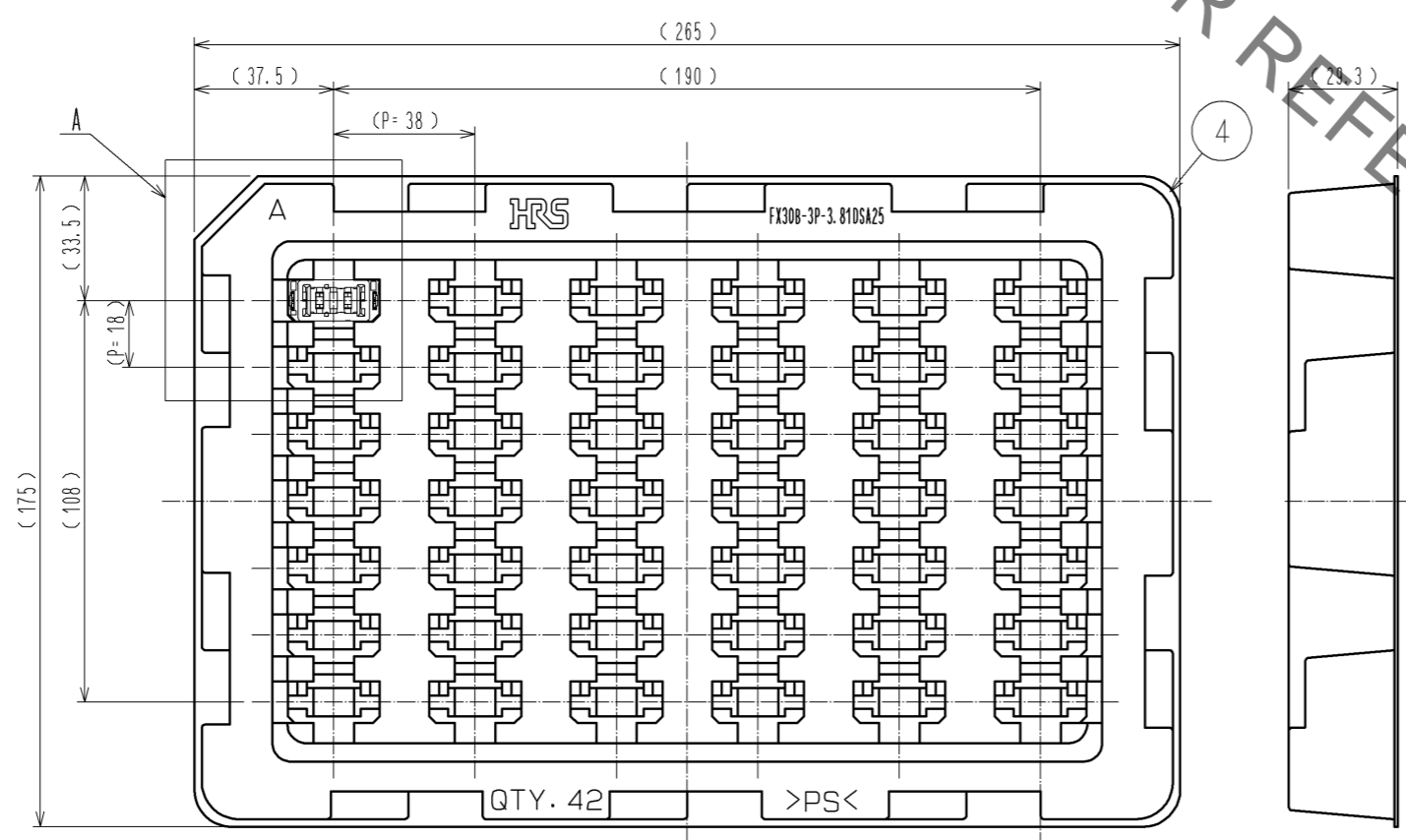
2	Copper alloy	Contact area:Gold-plating 0.1μm	4	Polystyrene				
		Lead area:Tin-plating 1.0μm			3	Phosphor bronze	Tin-plating 3.0μm	
		Under plating:Nickel 1.0μm					Under plating:Nickel 1.0μm	
1	Polyamide	Black UL94V-0						
NO.	MATERIAL	FINISH . REMARKS	NO.	MATERIAL	FINISH . REMARKS			
UNITS mm		SCALE 2 : 1		COUNT	DESCRIPTION OF REVISIONS	DESIGNED	CHECKED	DATE
HRS HIROSE ELECTRIC CO., LTD.		APPROVED : HS. OKAWA	14.09.12	DRAWING NO. EDC3-359158-00				
		CHECED : KN. SHIBUYA	14.09.12	PART NO. FX30B-2P-7.62DSA25				
		DESIGNED : DK. AIMOTO	14.09.12	CODE NO. CL570-3205-1-00				
		DRAWN : DK. AIMOTO	14.09.12					

Nov.1.2019 Copyright 2019 HIROSE ELECTRIC CO., LTD. All Rights Reserved.
 In case of consideration for using Automotive equipment / device which demand high reliability, kindly contact our sales window correspondents.

Recommended hole pattern dimension of PCB(5:1)
 (Connector mounting side, PCB thickness:t=1.6mm)



1 Drawing for packaging(1:2)



HRS	DRAWING NO.	EDC3-359158-00	△ 2/2
	PART NO.	FX30B-2P-7.62DSA25	
	CODE NO.	CL570-3205-1-00	