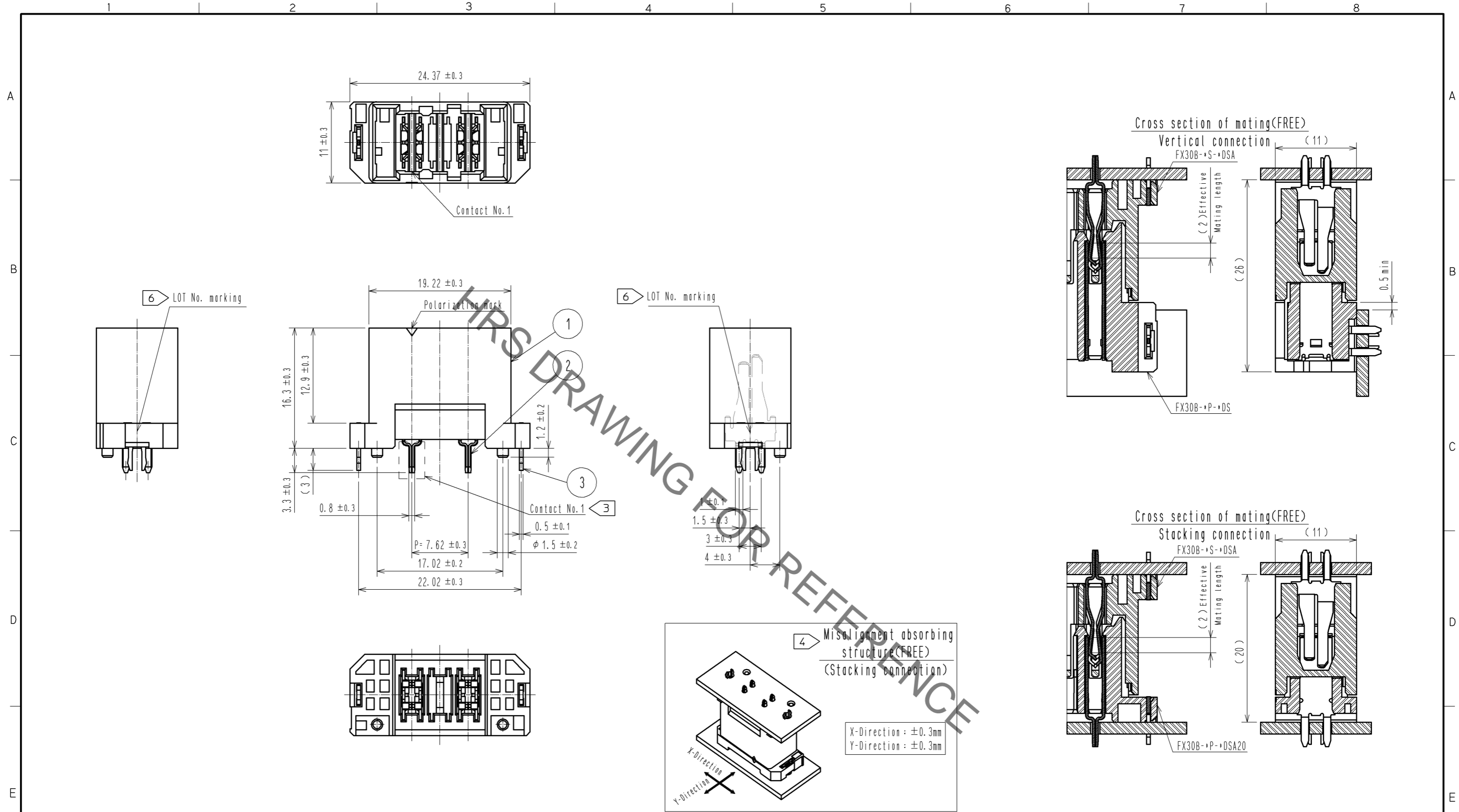


Nov.1.2019 Copyright 2019 HIROSE ELECTRIC CO., LTD. All Rights Reserved.  
In case of consideration for using Automotive equipment / device which demand high reliability, kindly contact our sales window correspondents.



- NOTE
- ① This product is packaged in tray. (42pcs/tray)
  - ② Blemish and hit mark can be occurred through out the manufacturing process which doesn't affect quality level. Also, black spot could be observed on the surface of housing.
  - ③ For the contact NO., adjacent two pairs of leads placed back-to-back (4 leads in total) Compose one line.
  - ④ Misalignment absorbing range:  $\pm 0.3$  mm max.
  - ⑤ The dimension in parentheses are for references.
  - ⑥ Lot NO. is indicated at either one of the position as shown.

NO.	MATERIAL	FINISH	REMARKS	NO.	MATERIAL	FINISH	REMARKS
2	Copper alloy	Contact area:Gold-plating $0.1 \mu\text{m}$ Lead area: Tin-plating $1.0 \mu\text{m}$ Under plating: Nickel $1.0 \mu\text{m}$		4	Polystyrene		
1	Polyamide	Black UL94V-0		3	Phosphor bronze	Tin-plating $3.0 \mu\text{m}$ Under plating: Nickel $1.0 \mu\text{m}$	

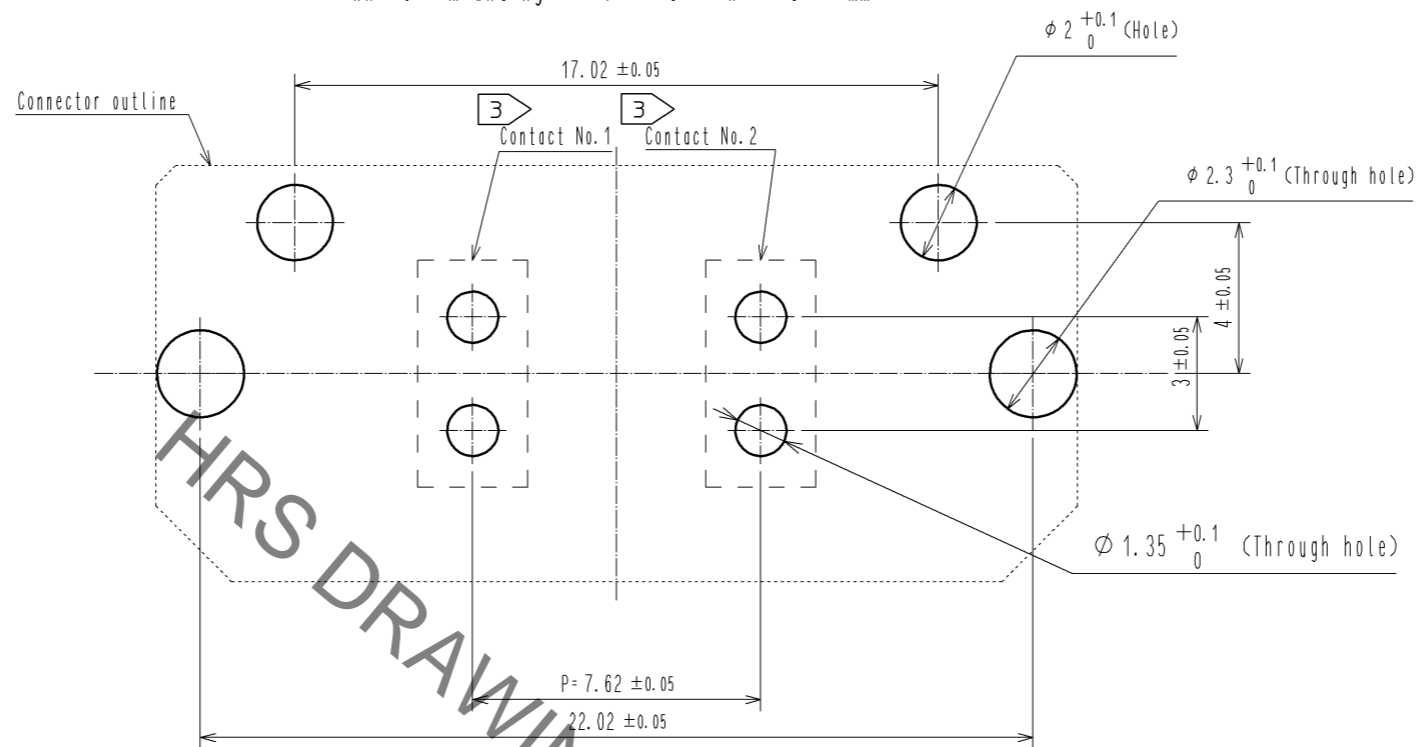
UNITS	SCALE	COUNT	DESCRIPTION OF REVISIONS	DESIGNED	CHECKED	DATE
mm	2 : 1	△	APPROVED : HS. OKAWA 14.09.12 CHECKED : KN. SHIBUYA 14.09.12 DESIGNED : DK. AIMOTO 14.09.12 DRAWN : DK. AIMOTO 14.09.12			

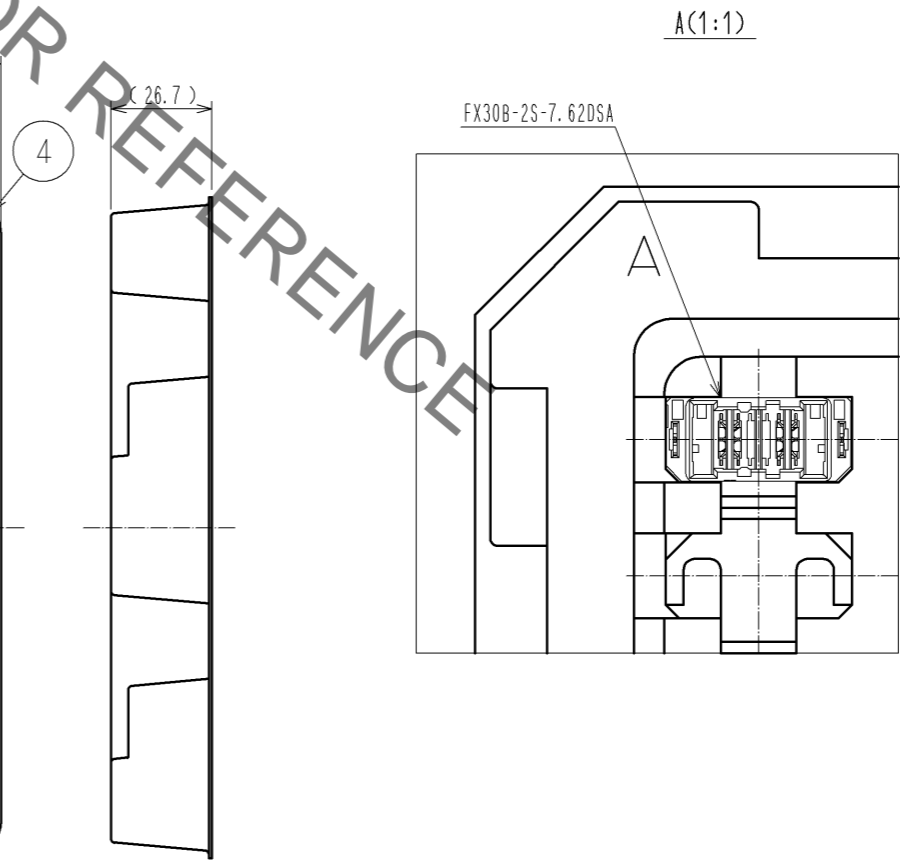
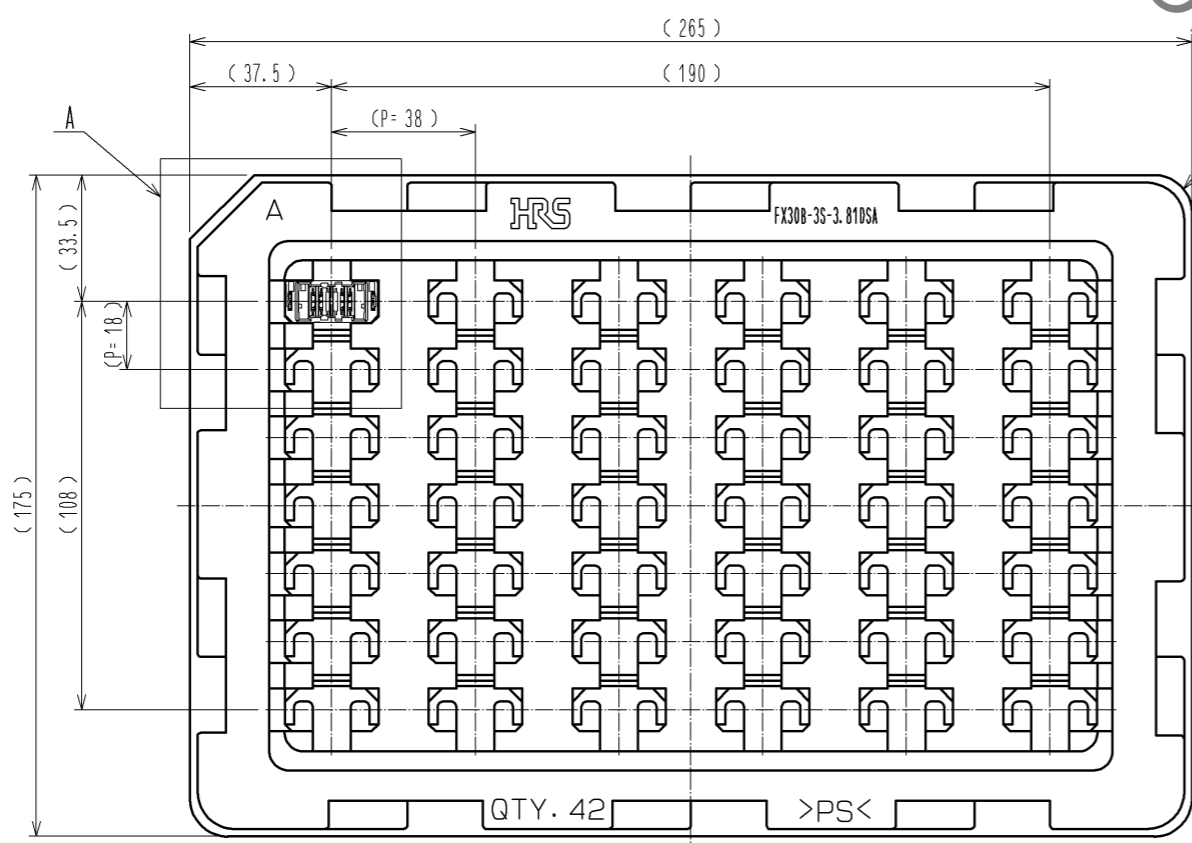
DRAWING NO.	PART NO.	CODE NO.
EDC3-359165-00	FX30B-2S-7.62DSA	CL570-3504-2-00

Nov.1.2019 Copyright 2019 HIROSE ELECTRIC CO., LTD. All Rights Reserved.  
 In case of consideration for using Automotive equipment / device which demand high reliability, kindly contact our sales window correspondents.

Recommended hole pattern dimension of PCB(5:1)  
 (Connector mounting side, PCB thickness:t=1.6mm)



1 Drawing for packaging(1:2)



<b>HRS</b>	DRAWING NO.	EDC3-359165-00	△ 2/2
	PART NO.	FX30B-2S-7.62DSA	
	CODE NO.	CL570-3504-2-00	