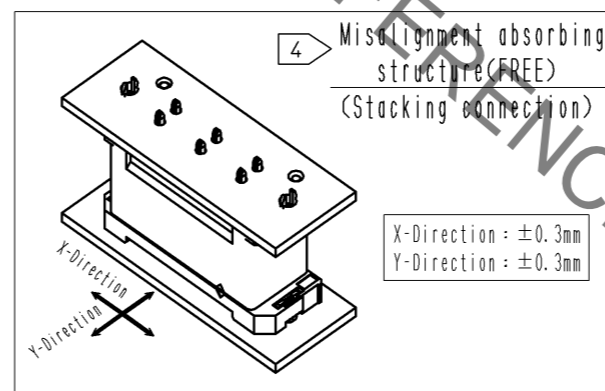
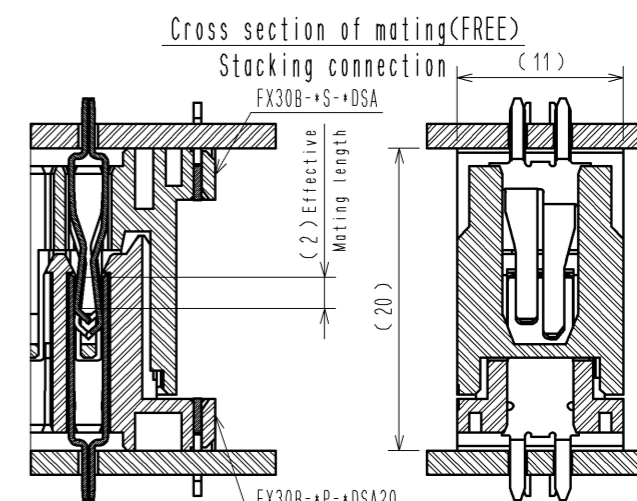
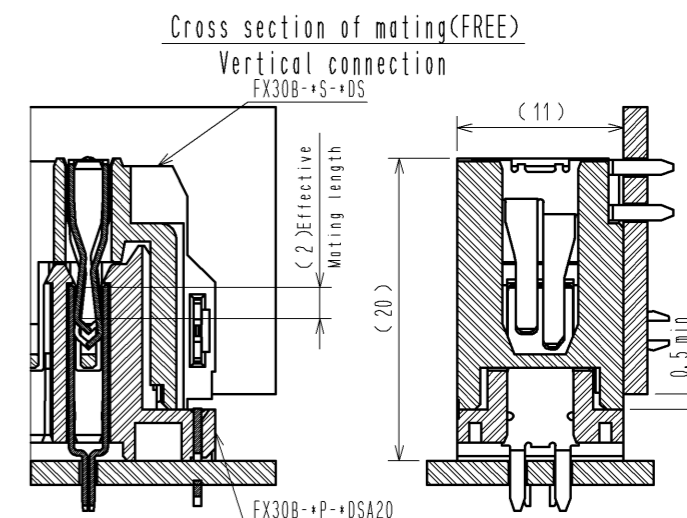
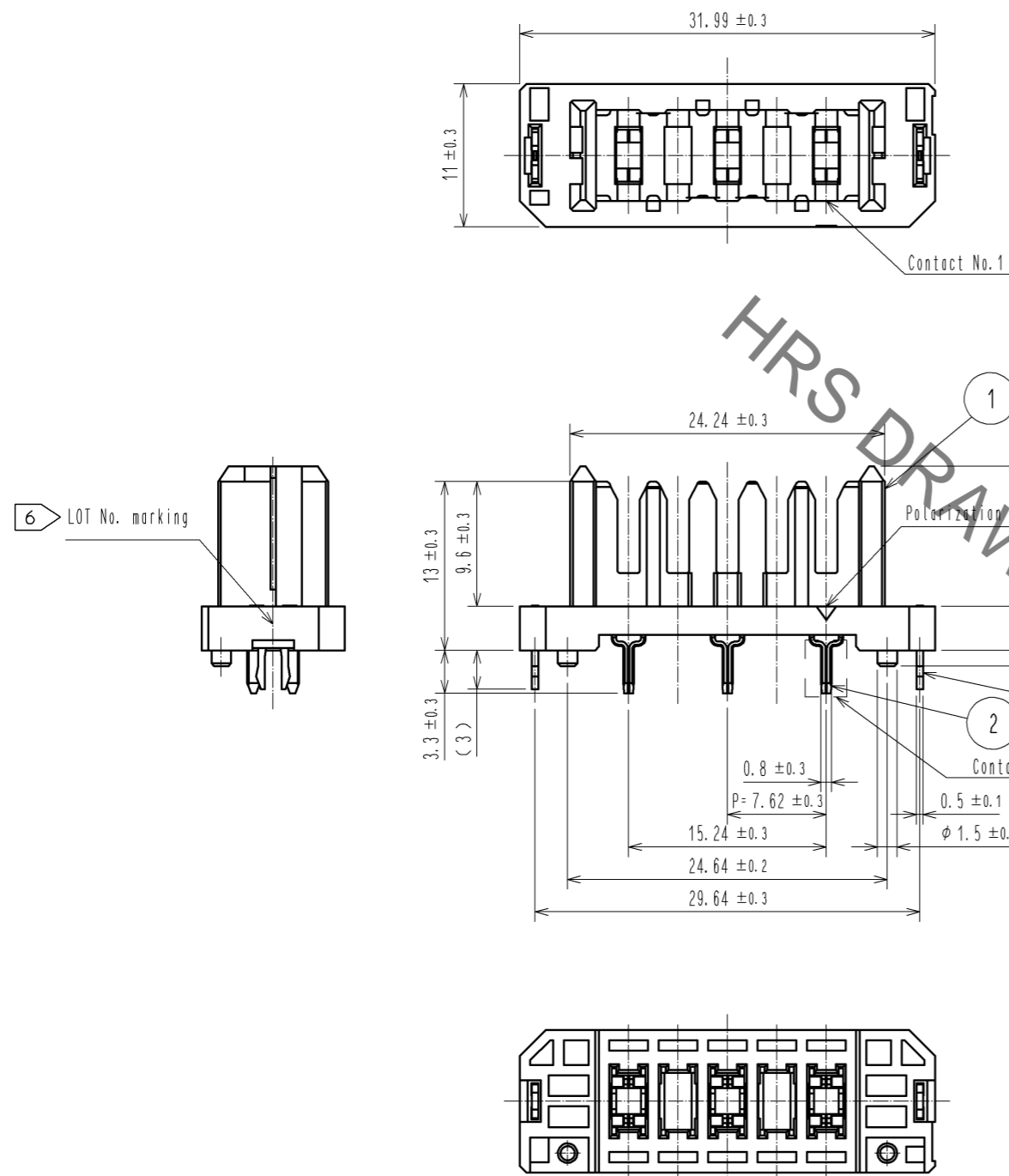


Nov.1.2019 Copyright 2019 HIROSE ELECTRIC CO., LTD. All Rights Reserved.
In case of consideration for using Automotive equipment / device which demand high reliability, kindly contact our sales window correspondents.

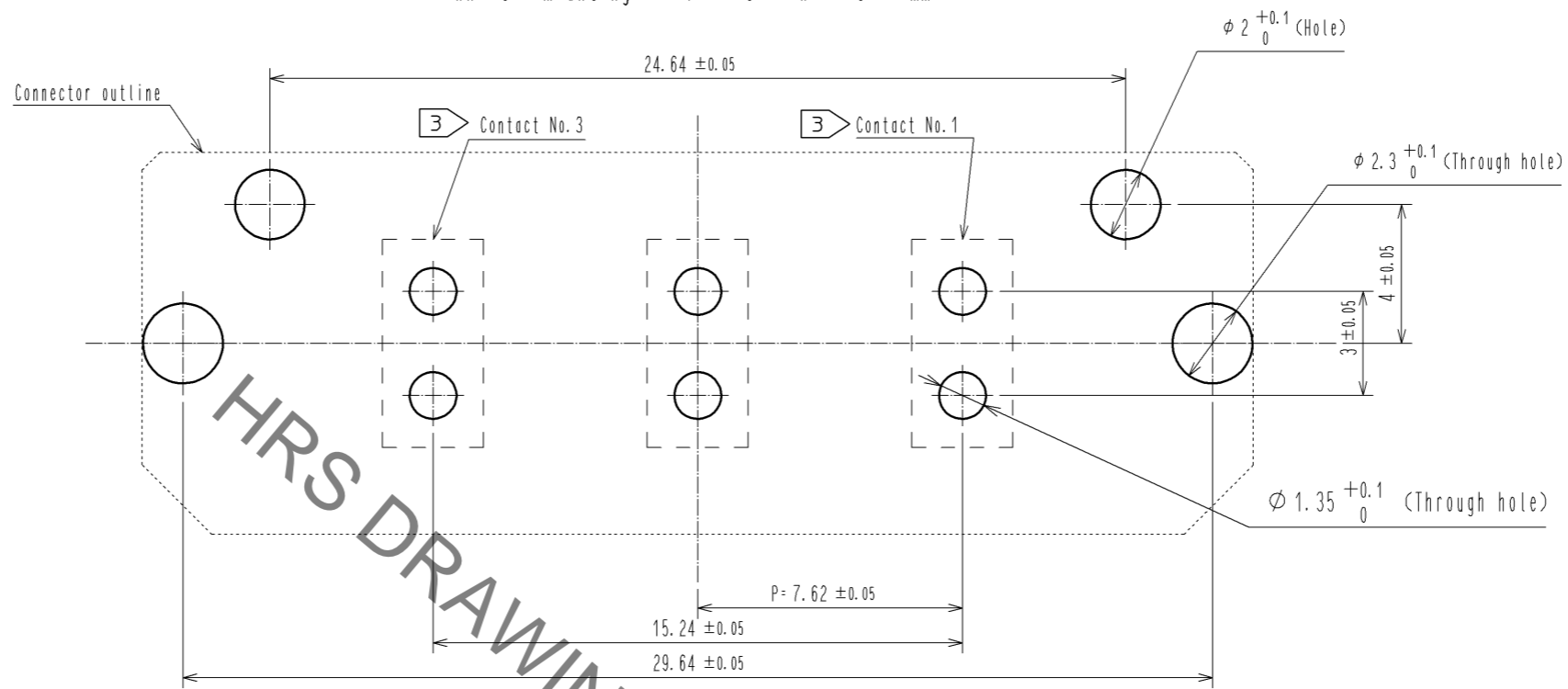


- NOTE
- This product is packaged in tray. (35pcs/tray)
 - Blemish and hit mark can be occurred through out the manufacturing process which doesn't affect quality level. Also, black spot could be observed on the surface of housing.
 - For the contact NO., adjacent two pairs of leads placed back-to-back (4 leads in total) Compose one line.
 - Misalignment absorbing range: ± 0.3 mm max.
 - The dimension in parentheses are for references.
 - Lot NO. is indicated at either one of the position as shown.

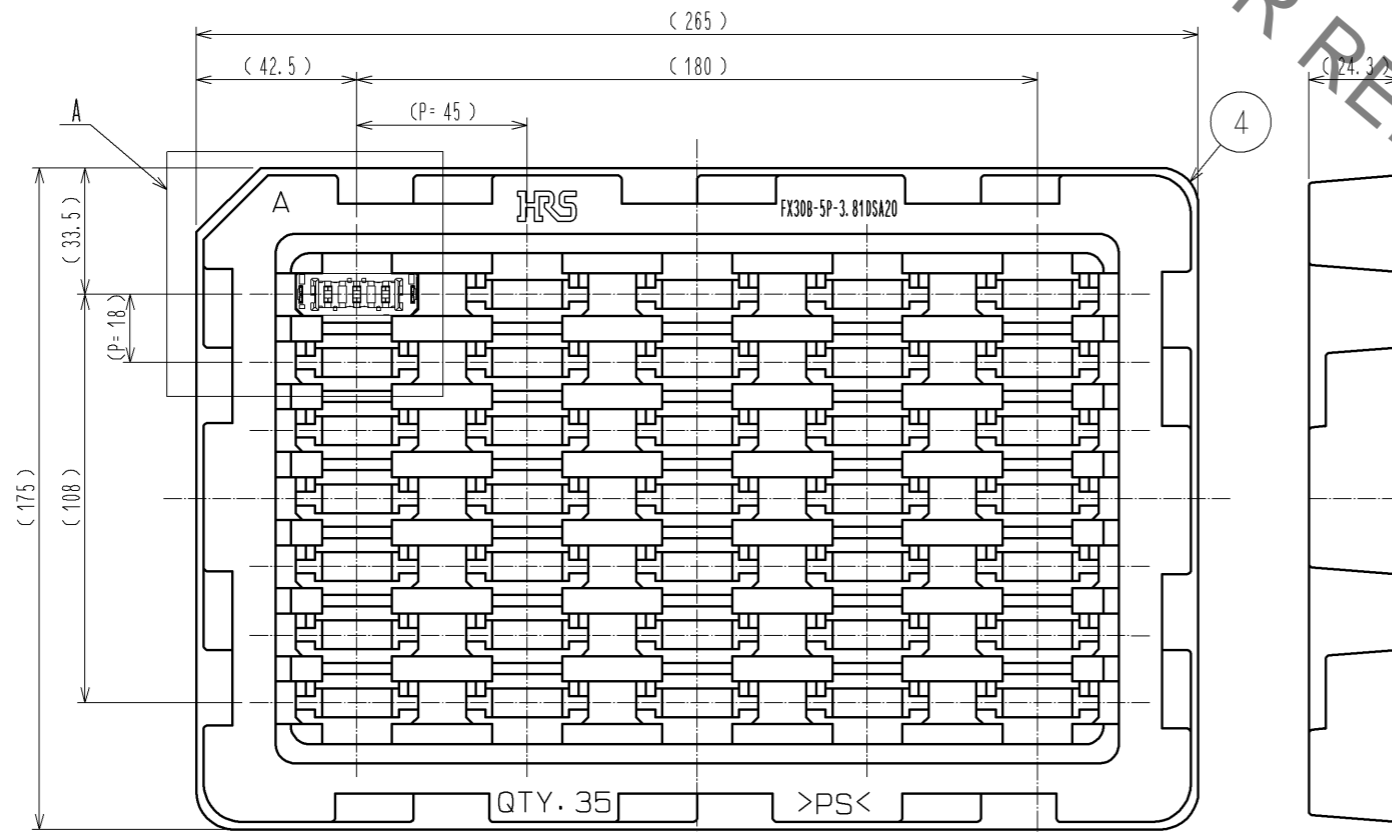
2	Copper alloy	Contact area: Gold-plating $0.1 \mu\text{m}$	4	Polystyrene			
		Lead area: Tin-plating $1.0 \mu\text{m}$					
		Under plating: Nickel $1.0 \mu\text{m}$	3	Phosphor bronze	Tin-plating $3.0 \mu\text{m}$		
1	Polyamide	Black UL94V-0			Under plating: Nickel $1.0 \mu\text{m}$		
NO.	MATERIAL	FINISH, REMARKS	NO.	MATERIAL	FINISH, REMARKS		
UNITS mm		SCALE 2 : 1	COUNT 	DESCRIPTION OF REVISIONS	DESIGNED	CHECKED	DATE
HRS HIROSE ELECTRIC CO., LTD.		APPROVED : HS. OKAWA	14.09.12	DRAWING NO.	EDC3-359157-00		
		CHECKED : KN. SHIBUYA	14.09.12	PART NO.	FX30B-3P-7.62DSA20		
		DESIGNED : DK. AIMOTO	14.09.12	CODE NO.	CL570-3105-7-00		
		DRAWN : DK. AIMOTO	14.09.12		1/2		

Nov.1.2019 Copyright 2019 HIROSE ELECTRIC CO., LTD. All Rights Reserved.
 In case of consideration for using Automotive equipment / device which demand high reliability, kindly contact our sales window correspondents.

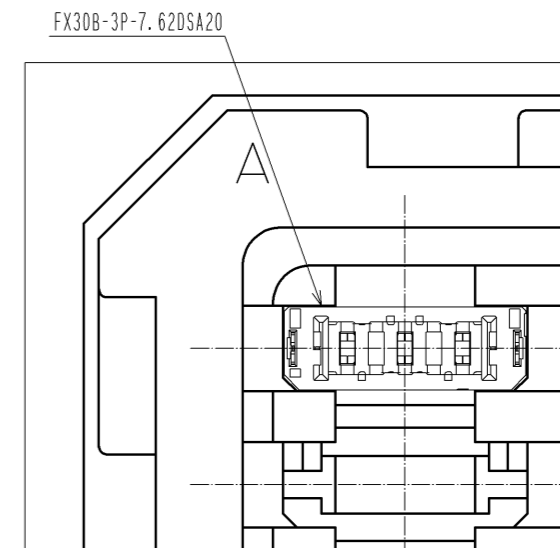
Recommended hole pattern dimension of PCB(5:1)
 (Connector mounting side, PCB thickness:t=1.6mm)



1 Drawing for packaging(1:2)



A(1:1)



HRS	DRAWING NO.	EDC3-359157-00
	PART NO.	FX30B-3P-7.62DSA20
	CODE NO.	CL570-3105-7-00
		\triangle 2/2