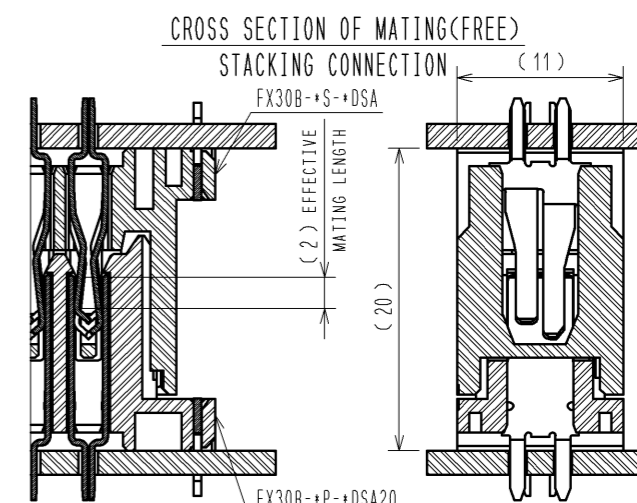
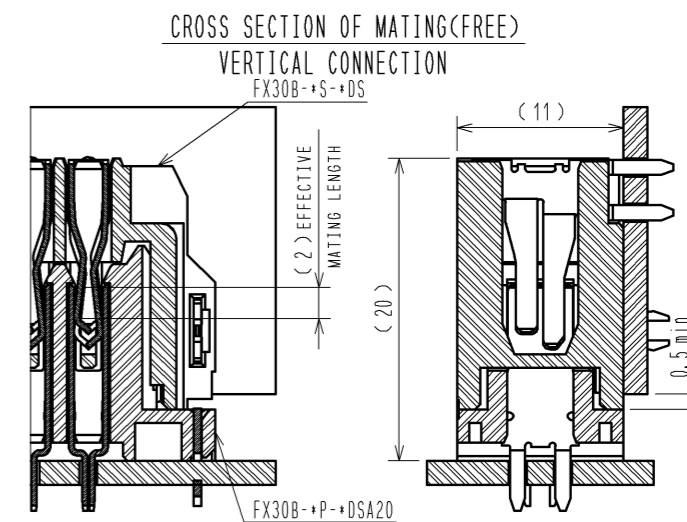
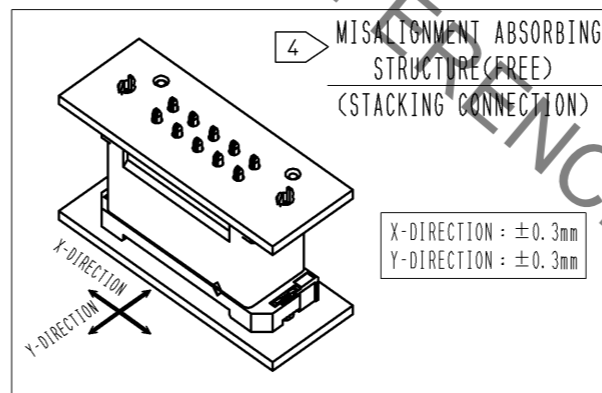
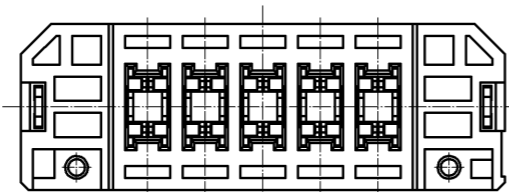
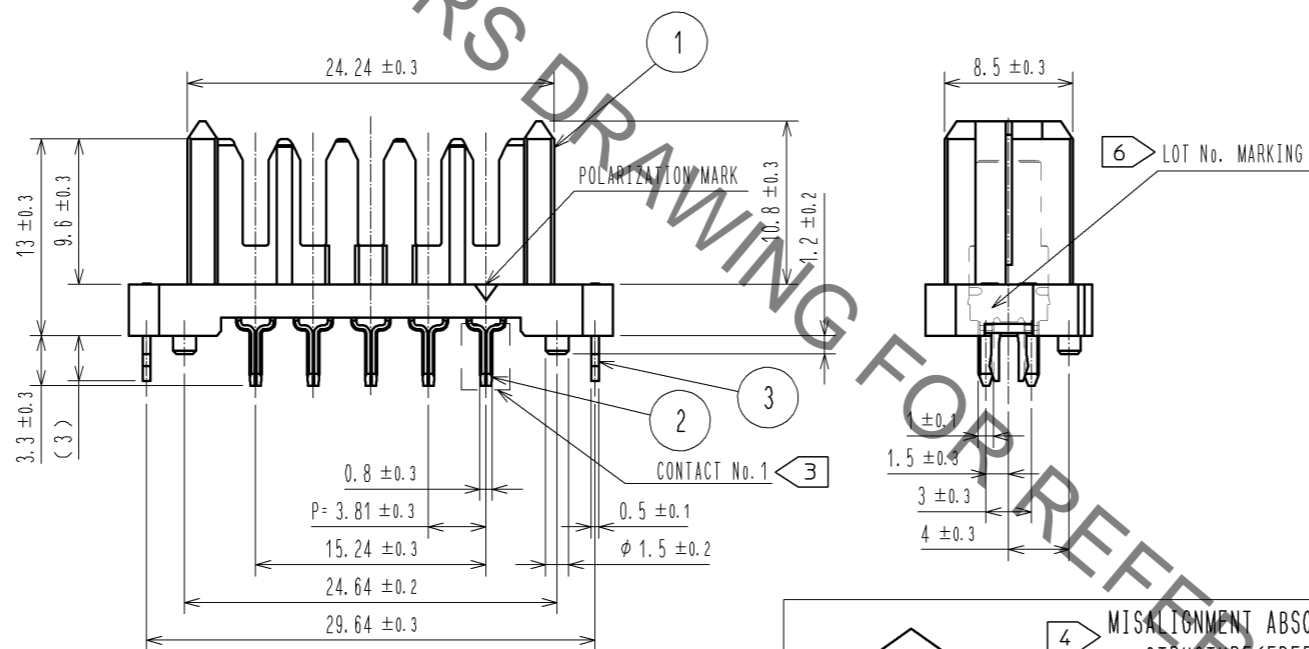
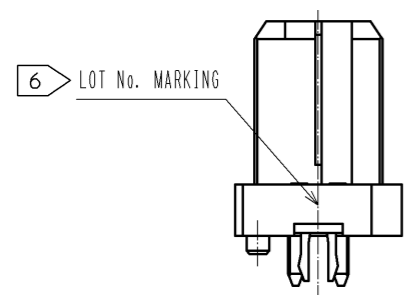
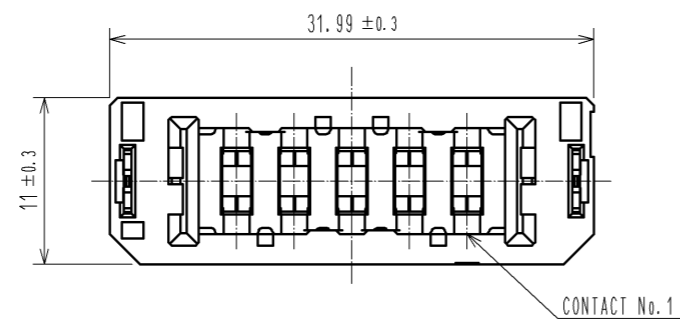


Oct.1.2019 Copyright 2019 HIROSE ELECTRIC CO., LTD. All Rights Reserved.
In case of consideration for using Automotive equipment / device which demand high reliability, kindly contact our sales window correspondents.

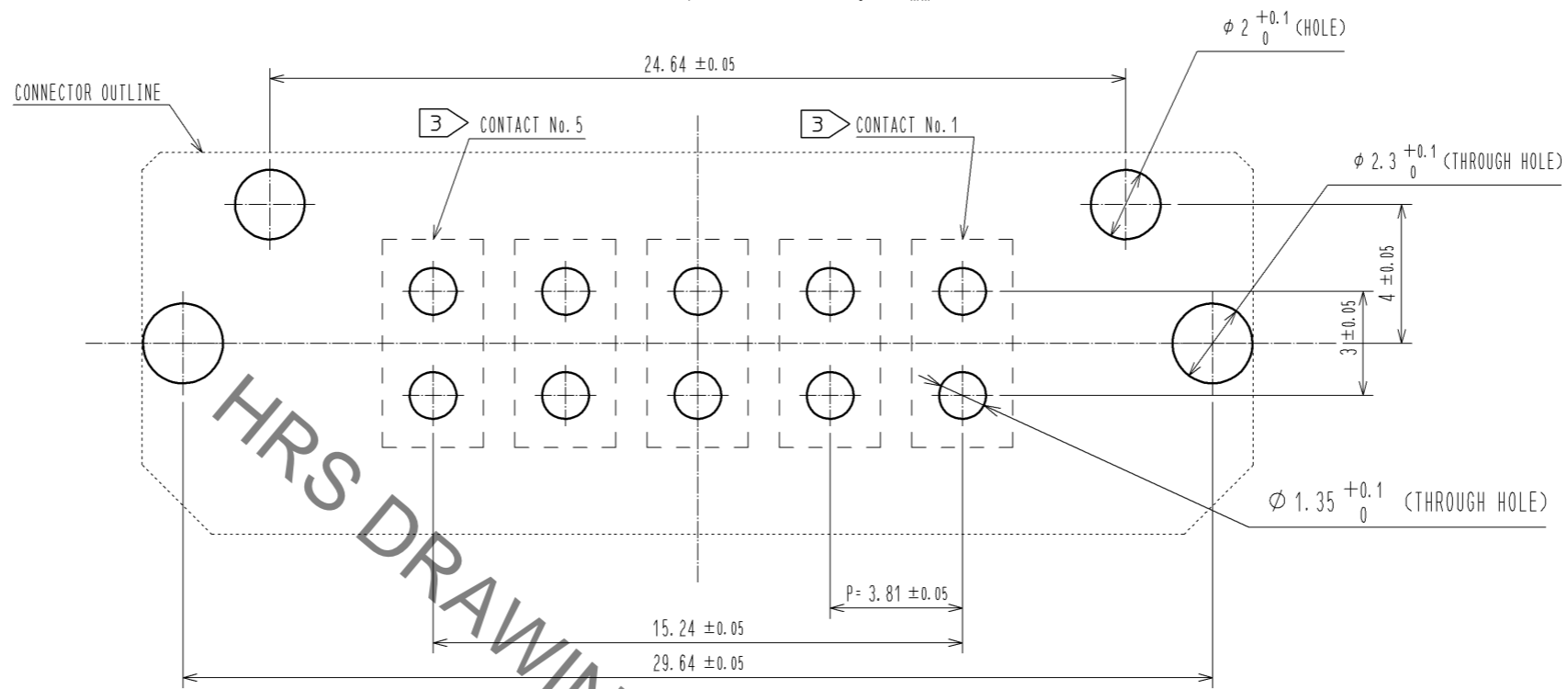


- NOTE
- ① THIS PRODUCT IS PACKAGED IN TRAY. (35pcs/TRAY)
 - ② BLEMISH AND HIT MARK CAN BE OCCURED THROUGH OUT THE MANUFACTURING PROCESS WHICH DOESN'T AFFECT QUALITY LEVEL. ALSO, BLACK SPOT COULD BE OBSERVED ON THE SURFACE OF HOUSING.
 - ③ FOR THE CONTACT NO., ADJACENT TWO PAIRS OF LEADS PLACED BACK-TO-BACK (4 LEADS IN TOTAL) COMPOSE ONE LINE.
 - ④ MISALIGNMENT ABSORBING RANGE: ± 0.3mm max.
 - ⑤ THE DIMENSION IN PARENTHESES ARE FOR REFERENCES.
 - ⑥ LOT NO. IS INDICATED AT EITHER ONE OF THE POSITION AS SHOWN.

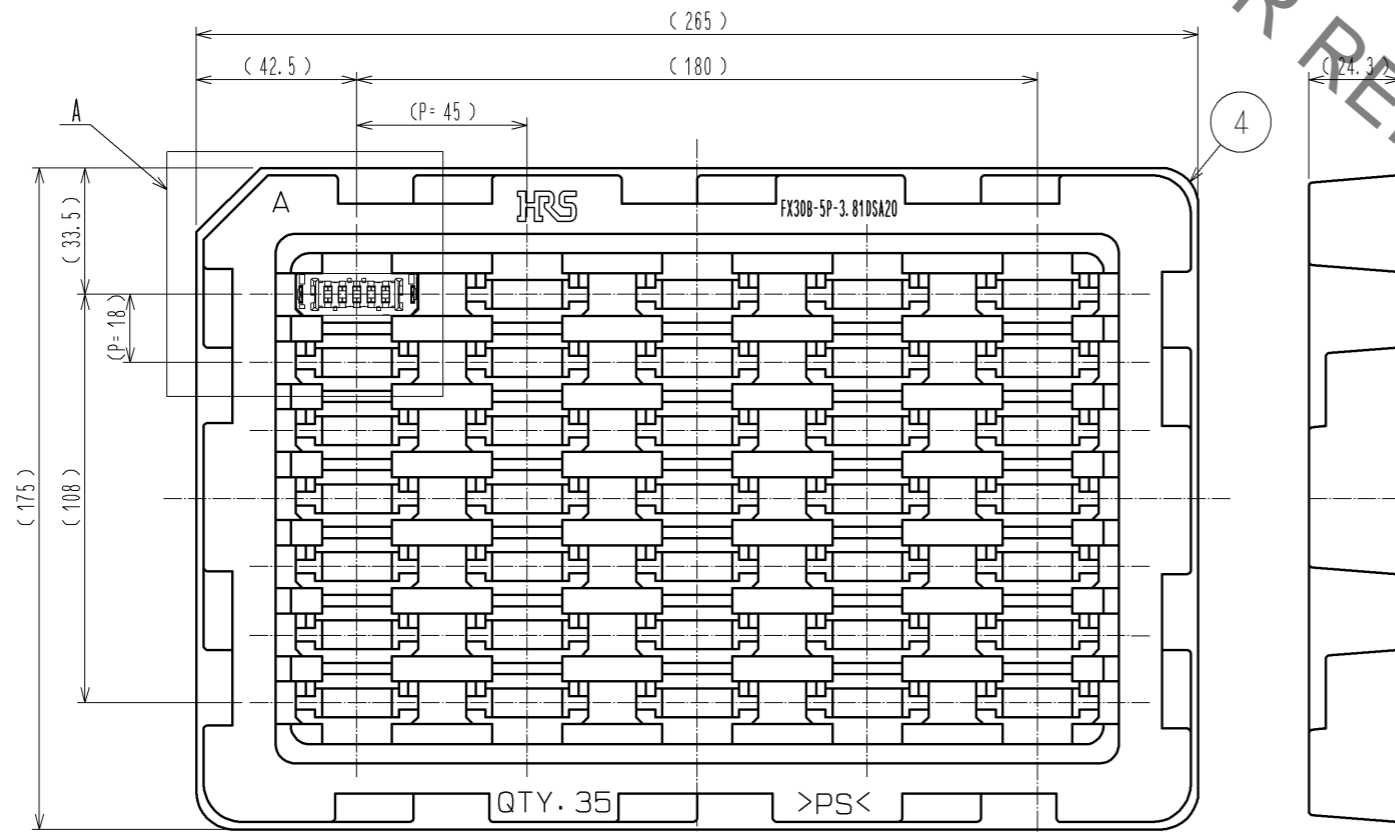
2	COPPER ALLOY	CONTACT AREA:GOLD-PLATING 0.1 μm	4	POLYSTYRENE	TIN-PLATING 3.0 μm			
		LEAD AREA:TIN-PLATING 1.0 μm						
		UNDER PLATING:NICKEL 1.0 μm						
1	POLYAMIDE	BLACK UL94V-0	3	PHOSPHOR BRONZE	UNDER PLATING:NICKEL 1.0 μm			
NO.	MATERIAL	FINISH . REMARKS				NO.	MATERIAL	FINISH . REMARKS
UNITS mm		SCALE 2 : 1				COUNT 2	DESCRIPTION OF REVISIONS DIS-F-006956	DESIGNED DK. AIMOTO
HRS HIROSE ELECTRIC CO., LTD.		APPROVED : HS. OKAWA 13. 03. 13	DRAWING NO. EDC3-347258-00					
		CHECED : KI. HIROKAWA 13. 03. 12	PART NO. FX30B-5P-3. 81DSA20					
		DESIGNED : DK. AIMOTO 13. 03. 11	CODE NO. CL570-3103-1-00					
		DRAWN : DK. AIMOTO 13. 03. 11						

Oct.1.2019 Copyright 2019 HIROSE ELECTRIC CO., LTD. All Rights Reserved.
 In case of consideration for using Automotive equipment / device which demand high reliability, kindly contact our sales window correspondents.

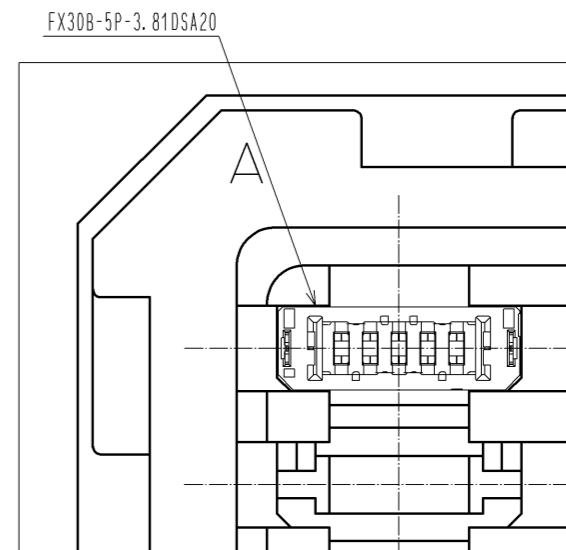
RECOMMENDED HOLE PATTERN DIMENSION OF PCB(5:1)
 (CONNECTOR MOUNTING SIDE, PCB THICKNESS: t=1.6mm)



1 DRAWING FOR PACKAGING(1:2)



A(1:1)



HRS	DRAWING NO.	EDC3-347258-00
	PART NO.	FX30B-5P-3.81DSA20
	CODE NO.	CL570-3103-1-00
		2/2