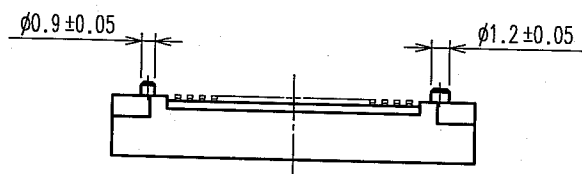
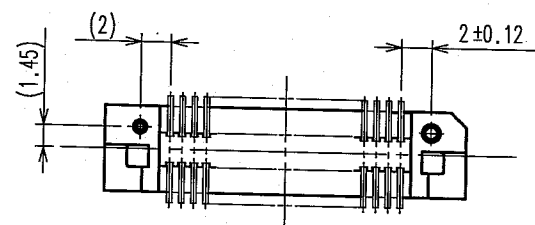
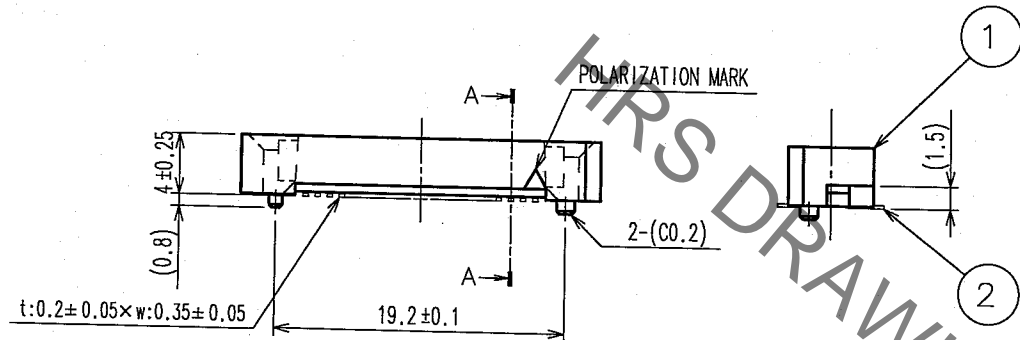
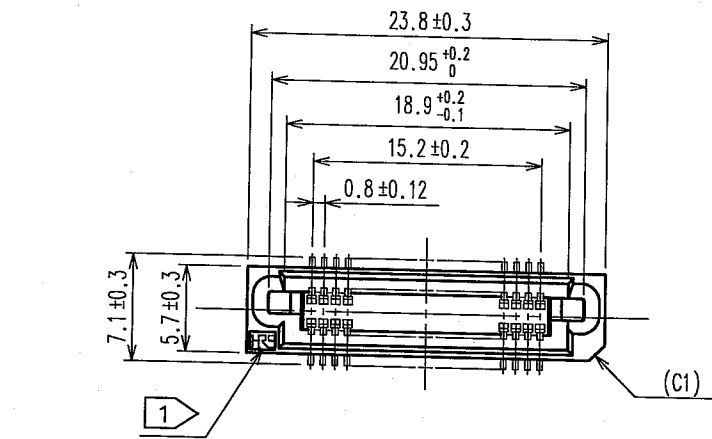
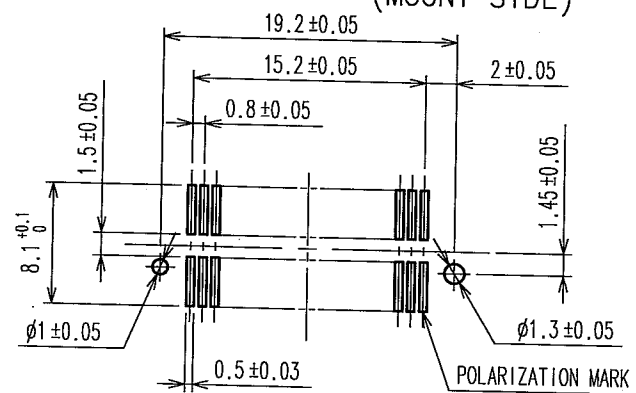


Feb.1.2020 Copyright 2020 HIROSE ELECTRIC CO., LTD. All Rights Reserved.
 In case of consideration for using Automotive equipment / device which demand high reliability, kindly contact our sales window correspondents.

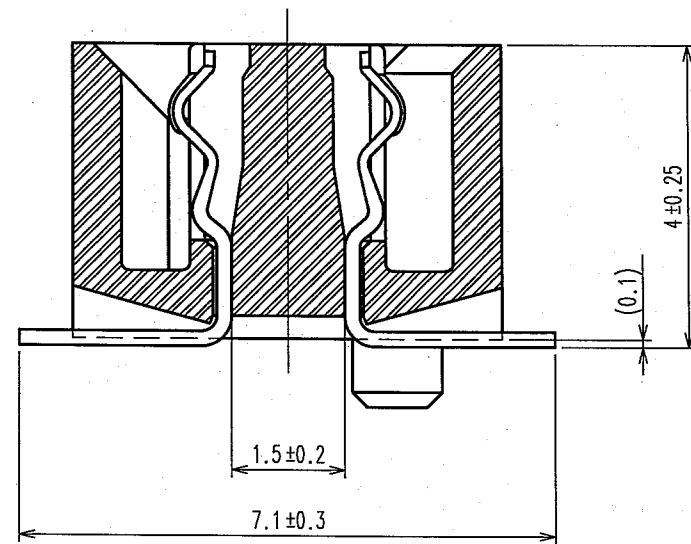
5				6				7				8			
COUNT	DESCRIPTION OF REVISIONS	BY	CHKD	DATE	COUNT	DESCRIPTION OF REVISIONS	BY	CHKD	DATE	COUNT	DESCRIPTION OF REVISIONS	BY	CHKD	DATE	
△					△					△					
△					△					△					
△					△					△					



RECOMMENDED LAND PATTERN DIMENSIONS
(MOUNT SIDE)



A-A (10:1)



- NOTE
- 1 THE MARK SHOULD BE PRINTED. (THE PLACE IS ARBITRARY)
 - 2 LEAD CO-PLANARITY SHALL BE 0.1mm MAX.
 - 3 FOR MODIFICATION, ETC., PREVENTIVE HOLE FOR SINK MARK MAY BE ADDED ACCORDING TO CIRCUMSTANCES.
 - 4 THE DIMENSIONS IN PARENTHESES ARE FOR REFERENCE.

1	POLYPHENYLENE SULFIDE	LIGHT BROWN (UL94V-0)	2	PHOSPHOR BRONZE	CONTACT AREA: GOLD 0.1μ m min. LEAD AREA: TIN 1μ m min. UNDER PLATING: NICKEL 2μ m min.
NO.	MATERIAL	FINISH, REMARKS	NO.	MATERIAL	FINISH, REMARKS
CODE NO. (OLD)			DRAWN	DESIGNED	CHECKED
			Y. AOYAGI	<i>K. Doi</i>	<i>K. Ogawa</i>
			05.08.30	05.09.02	05.09.02
DRAWING NO.			PART NO.		
EDC3-084979-25			FX6-40S-0.8SV(71)		
SCALE			CODE NO.		
2 : 1			CL576-0103-3-71		
UNITS			1/1		
mm			HIROSE ELECTRIC CO., LTD		

TO
PCK