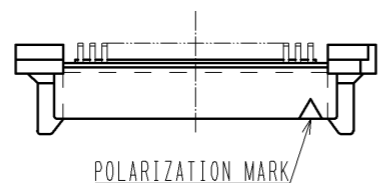
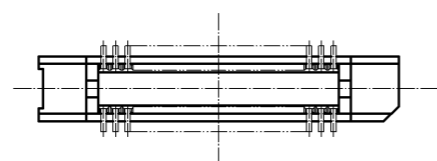
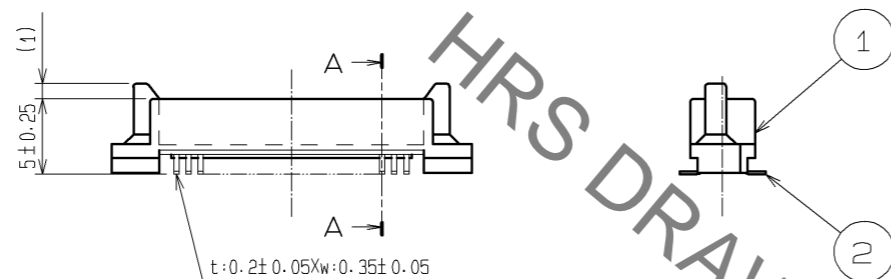
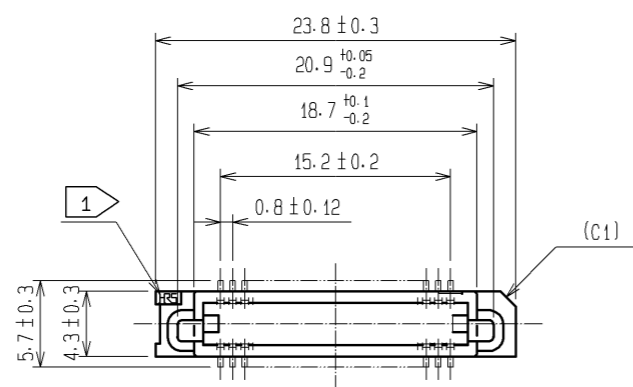
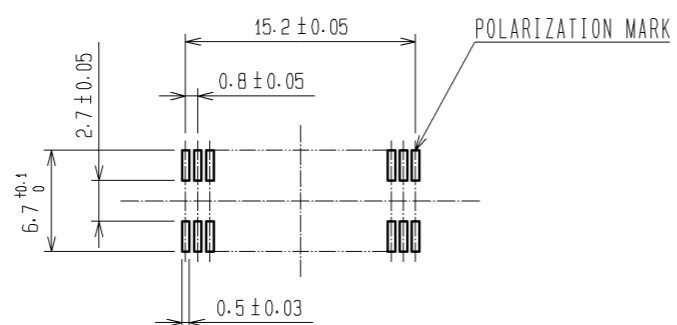


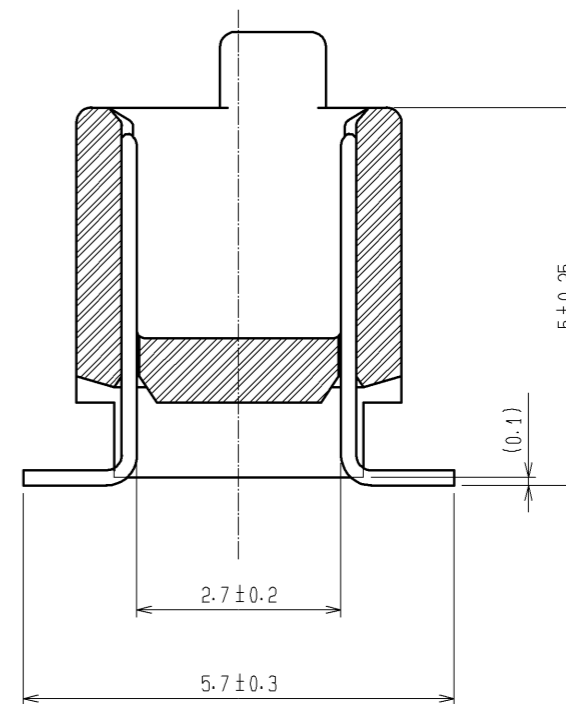
Sep.1.2021 Copyright 2021 HIROSE ELECTRIC CO., LTD. All Rights Reserved.
In case of consideration for using Automotive equipment / device which demand high reliability, kindly contact our sales window correspondents.



RECOMMENDED LAND PATTERN DIMENSION OF PCB (MOUNTING SIDE)
(RECOMMENDED METAL MASK THICKNESS $t=0.15$)



A-A (10:1)



HRS DRAWING FOR REFERENCE

- NOTES
1. MARK SHOULD BE OPTIONAL.
 2. LEAD CO-PLANARITY SHALL BE 0.1mm MAX.
 3. FOR MODIFICATION, ETC., PREVENTIVE HOLE FOR SINK MARK MAY BE ADDED ACCORDING TO CIRCUMSTANCES.
 4. THE DIMENSIONS IN PARENTHESES ARE FOR REFERENCE.

1	PPS	LIGHT BROWN	UL94V-0	2	PHOSPHOR BRONZE	CONTACT AREA: GOLD 0.1μm min. LEAD AREA: TIN-PLATING 1μm min. UNDER PLATING: NICKEL 1μm min.		
NO.	MATERIAL	FINISH . REMARKS		NO.	MATERIAL	FINISH . REMARKS		
UNITS mm		SCALE 2 : 1	COUNT 	DESCRIPTION OF REVISIONS		DESIGNED	CHECKED	DATE
HRS HIROSE ELECTRIC CO., LTD.		APPROVED : HS. OKAWA	08.06.26	DRAWING NO. EDC3-071320-25				
		CHECKED : HT. YAMAGUCHI	08.06.25	PART NO. FX6A-40P-0.8SV1(C71)				
		DESIGNED : SY. KAMIGA	08.06.23	CODE NO. CL576-0223-5-71				
		DRAWN : TP. MATSUMOTO	08.06.18					