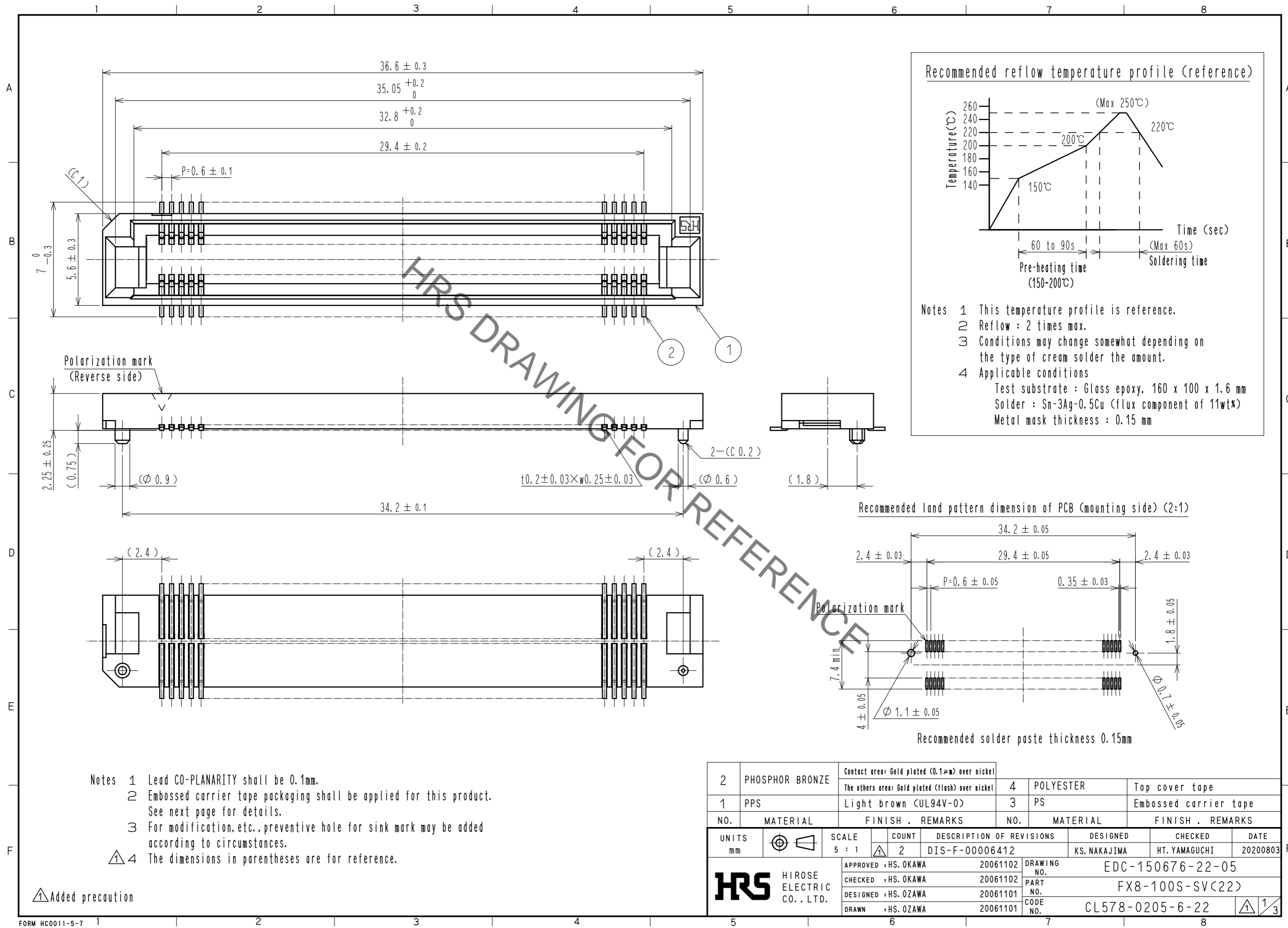
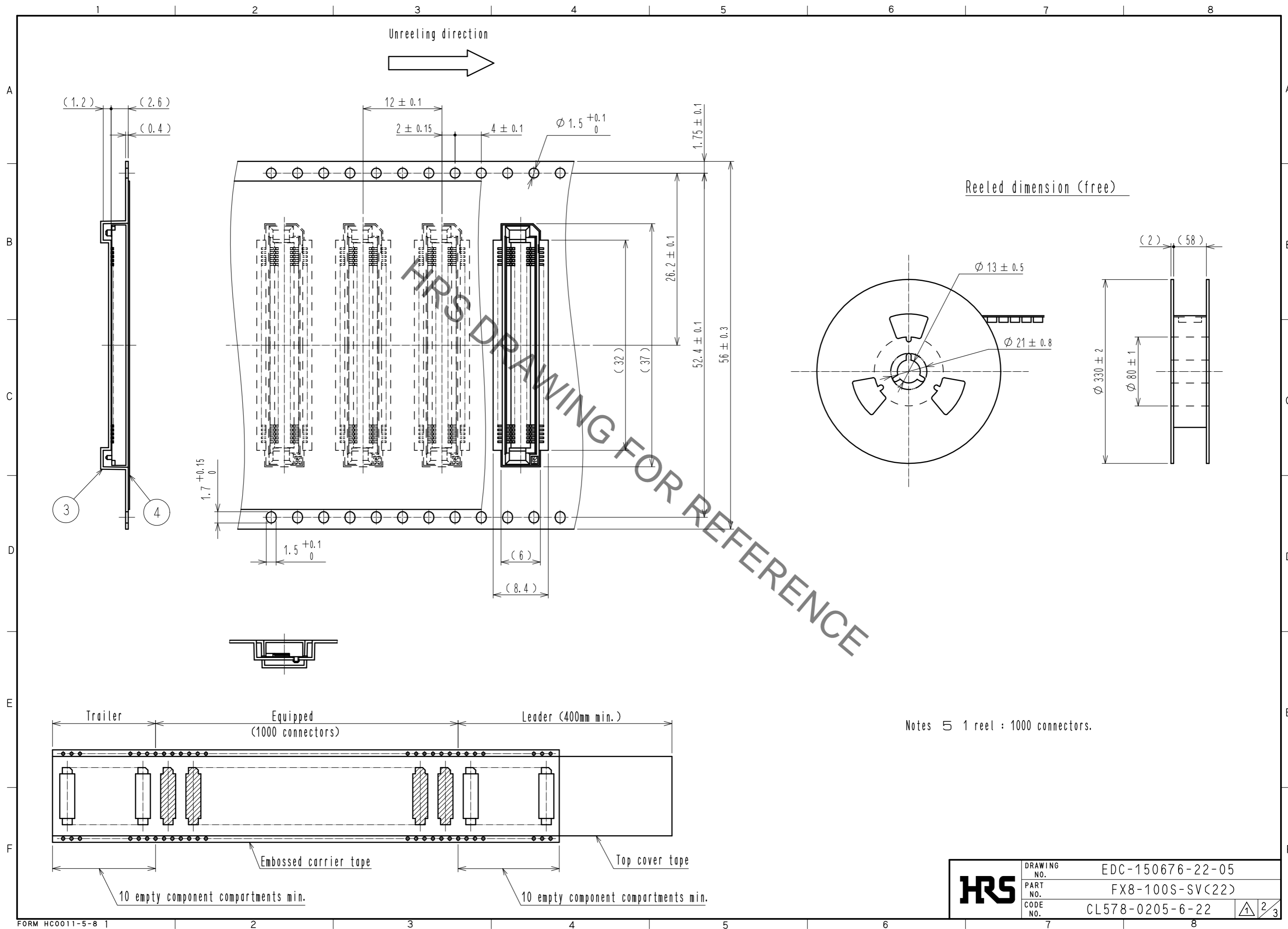


May.1.2021 Copyright 2021 HIROSE ELECTRIC CO., LTD. All Rights Reserved.
In case of consideration for using Automotive equipment / device which demand high reliability, kindly contact our sales window correspondents.



2	PHOSPHOR BRONZE	Contact area: Gold plated (0.1μm) over nickel	4	POLYESTER	Top cover tape
		The others area: Gold plated (flush) over nickel	3	PS	Embossed carrier tape
1	PPS	Light brown (UL94V-0)			
NO.	MATERIAL	FINISH . REMARKS	NO.	MATERIAL	FINISH . REMARKS
UNITS		SCALE	COUNT	DESCRIPTION OF REVISIONS	
mm		5 : 1	2	DIS-F-00006412	
HRS HIROSE ELECTRIC CO., LTD.		APPROVED : HS. OKAWA	20061102	DRAWING NO. EDC-150676-22-05	
		CHECKED : HS. OKAWA	20061102	PART NO. FX8-100S-SV(22)	
		DESIGNED : HS. OZAWA	20061101	CODE NO. CL578-0205-6-22	
		DRAWN : HS. OZAWA	20061101	DATE 20200803	

May.1.2021 Copyright 2021 HIROSE ELECTRIC CO., LTD. All Rights Reserved.
 In case of consideration for using Automotive equipment / device which demand high reliability, kindly contact our sales window correspondents.



Notes 5 1 reel : 1000 connectors.

HRS	DRAWING NO.	EDC-150676-22-05	2/3
	PART NO.	FX8-100S-SV(22)	
	CODE NO.	CL578-0205-6-22	

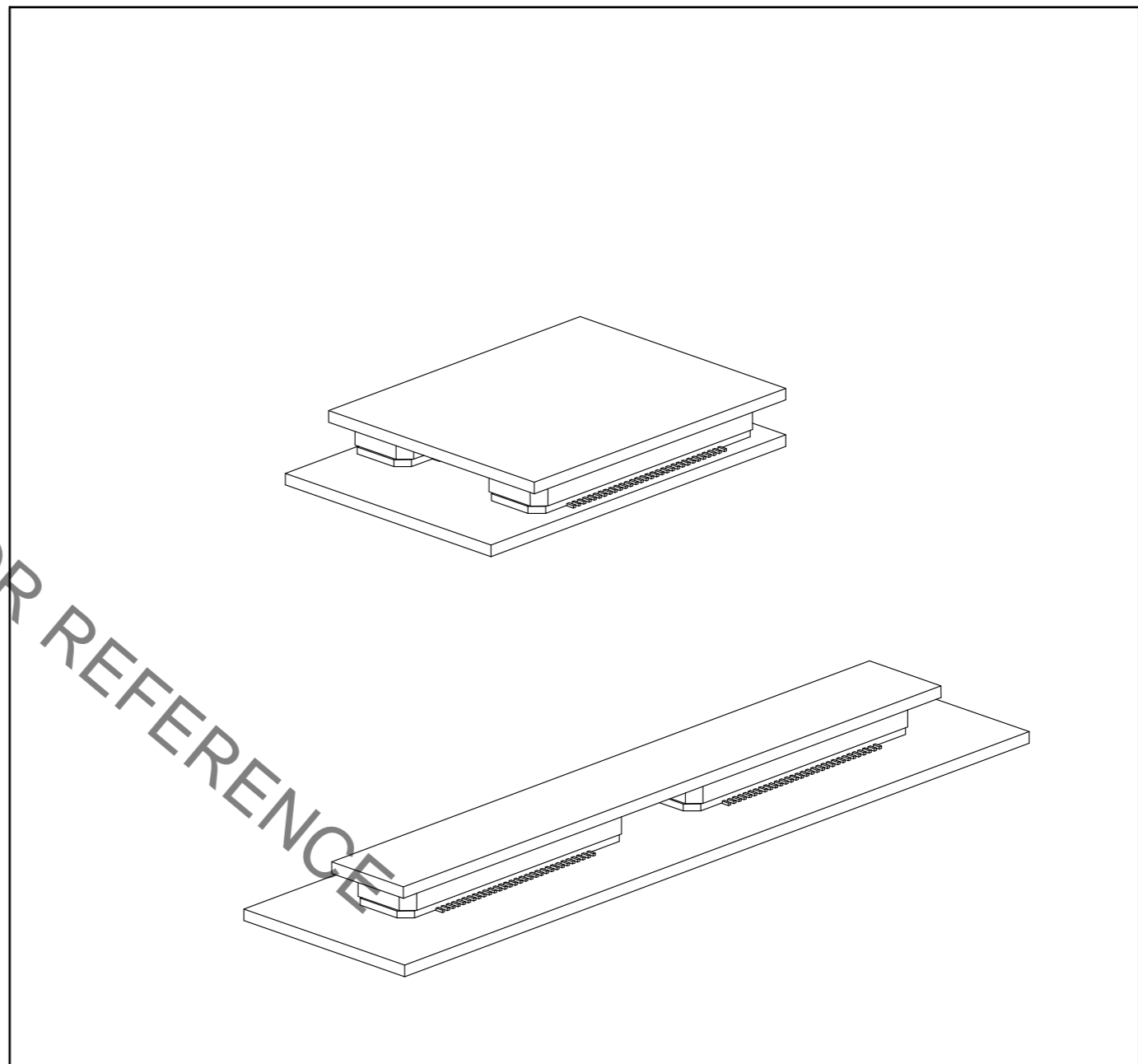
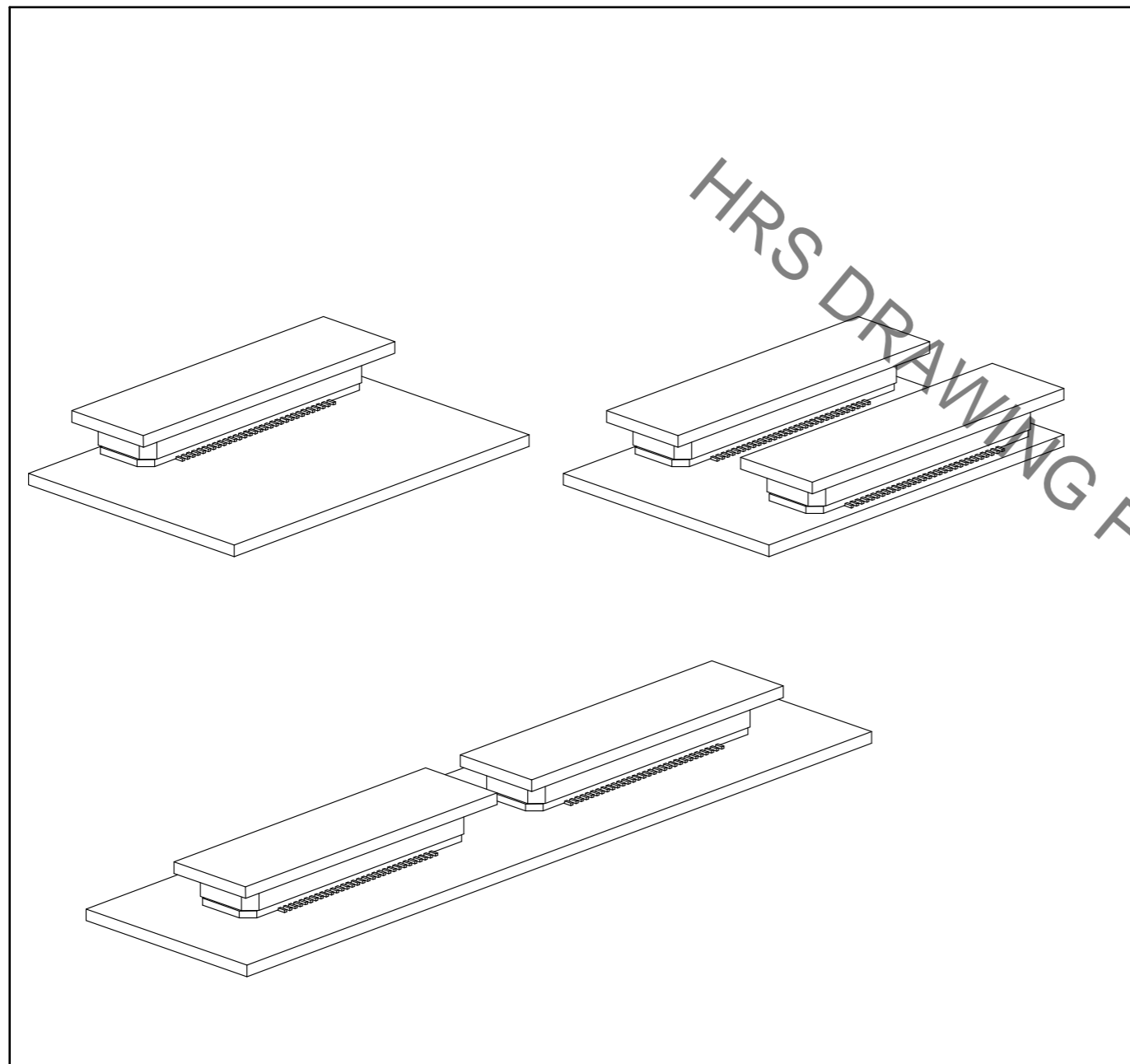
May.1.2021 Copyright 2021 HIROSE ELECTRIC CO., LTD. All Rights Reserved.
In case of consideration for using Automotive equipment / device which demand high reliability, kindly contact our sales window correspondents.

【 Precaution 】

When a board with multiple connectors mounted is mated, the connector may be damaged or deformed.
Please divide one side of the board so only one connector is mated per board.

OK

NG



HRS DRAWING FOR REFERENCE

HRS	DRAWING NO.	EDC-150676-22-05
	PART NO.	FX8-100S-SV(22)
	CODE NO.	CL578-0205-6-22