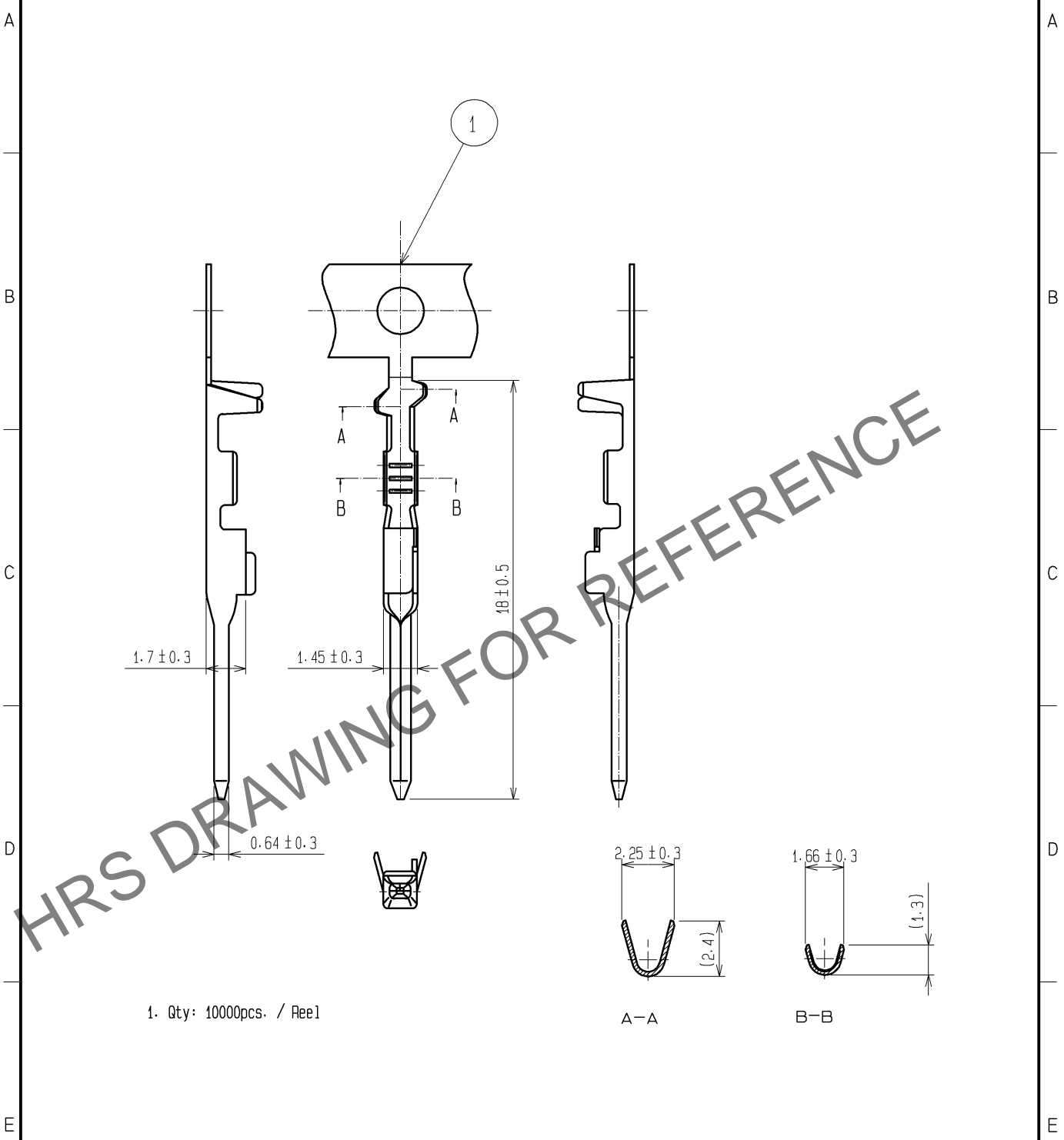


Oct.1.2024 Copyright 2024 HIROSE ELECTRIC CO., LTD. All Rights Reserved.  
 In case of consideration for using Automotive equipment / device which demand high reliability, kindly contact our sales window correspondents.

ELV・RoHS COMPLIANT



| 1                         | COPPER ALLOY | TIN PLATED T=0.2      |           |                          |          |                 |         |      |
|---------------------------|--------------|-----------------------|-----------|--------------------------|----------|-----------------|---------|------|
| NO.                       | MATERIAL     | FINISH .              | REMARKS   | NO.                      | MATERIAL | FINISH .        | REMARKS |      |
| UNITS<br>mm               |              | SCALE<br>4 : 1        | COUNT<br> | DESCRIPTION OF REVISIONS |          | DESIGNED        | CHECKED | DATE |
| HIROSE ELECTRIC CO., LTD. |              | APPROVED : KS. SATOH  | 08.09.02  | DRAWING NO.              |          | EDC4-166490-00  |         |      |
|                           |              | CHECKED : NH. NAKATA  | 08.09.02  | PART NO.                 |          | GT17A-2428PCF   |         |      |
|                           |              | DESIGNED : MH. SHOUJI | 08.09.01  | CODE NO.                 |          | CL767-0121-0-00 |         |      |
|                           |              | DRAWN : MH. SHOUJI    | 08.09.01  |                          |          | 1/1             |         |      |