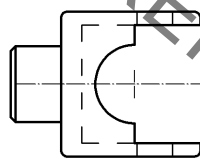
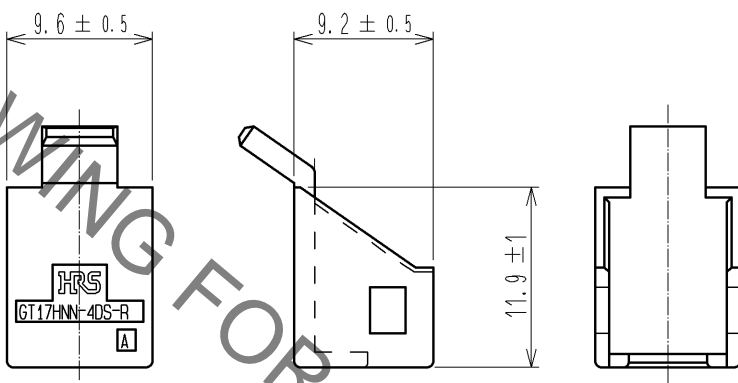
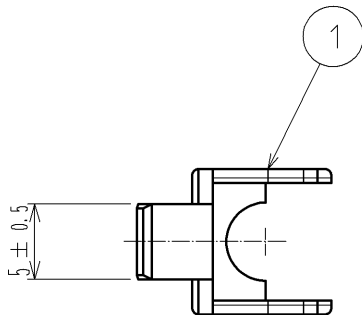


Jul.1.2021 Copyright 2021 HIROSE ELECTRIC CO., LTD. All Rights Reserved.
 In case of consideration for using Automotive equipment / device which demand high reliability, kindly contact our sales window correspondents.

ELV, RoHS COMPLIANT



HRS DRAWING FOR REFERENCE

1	PBT	DARK GRAY						
NO.	MATERIAL	FINISH	REMARKS	NO.	MATERIAL	FINISH	REMARKS	
UNITS mm		SCALE 2 : 1	COUNT 	DESCRIPTION OF REVISIONS		DESIGNED	CHECKED	DATE
HIROSE ELECTRIC CO., LTD.	APPROVED	: KS. SATOH	09.01.07	DRAWING NO.	EDC4-167160-00			
	CHECKED	: KS. SATOH	09.01.07	PART NO.	GT17HNN-4DS-R			
	DESIGNED	: NA. HARUBAYASHI	09.01.07	CODE NO.	CL767-0188-1-00			
	DRAWN	: NA. HARUBAYASHI	09.01.07		1/1			