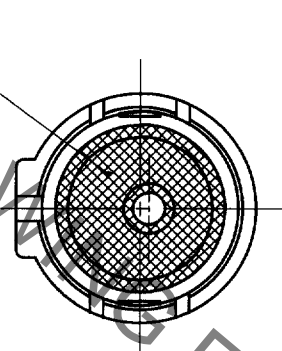
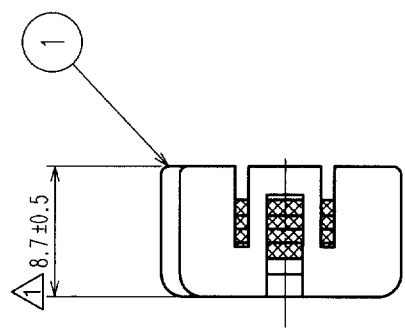
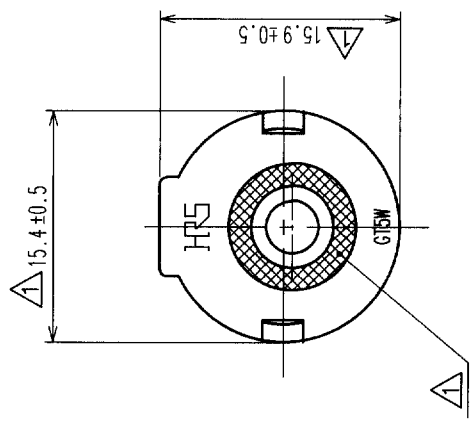
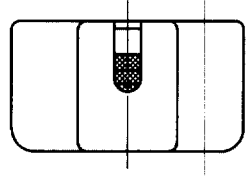


In case of consideration for using Automotive equipment / device which demand high reliability, kindly contact our sales window correspondents.

Aug.1.2019 Copyright 2019 HIROSE ELECTRIC CO., LTD. All Rights Reserved.

COUNT	DESCRIPTION OF REVISIONS	BY	CHKD	DATE	COUNT	DESCRIPTION OF REVISIONS	BY	CHKD	DATE
4	RE-T-00607	T.I	M.O	01.11.28					



HRS DRAWING FOR REFERENCE

NOTE1. APPLICABLE CABLE DIA.: φ2.9 TO φ3.4

TO	

1 PBT-M		DARK GRAY		2 SILICONE RUBBER		LIGHT BLUE	
NO.	MATERIAL	FINISH, REMARKS	NO.	MATERIAL	FINISH, REMARKS	APPROVED	RELEASED
CODE NO. (OLD)	CL559-0214-9						
			DRAWN	DESIGNED	CHECKED	APPROVED	RELEASED
			T. EBIHARA	N. NAKATA	K. SATO	M. YAMAMOTO	
			'97. 6. 26	'97. 6. 30	'97. 7. 1	'97. 7. 1	
DRAWING NO.		PART NO.					
EDC3-165088		GT5W-1P/S-R					
SCALE	2 : 1						
UNITS	mm						
		CODE NO.		CL755-0028-5		1/1	



HIROSE ELECTRIC CO., LTD