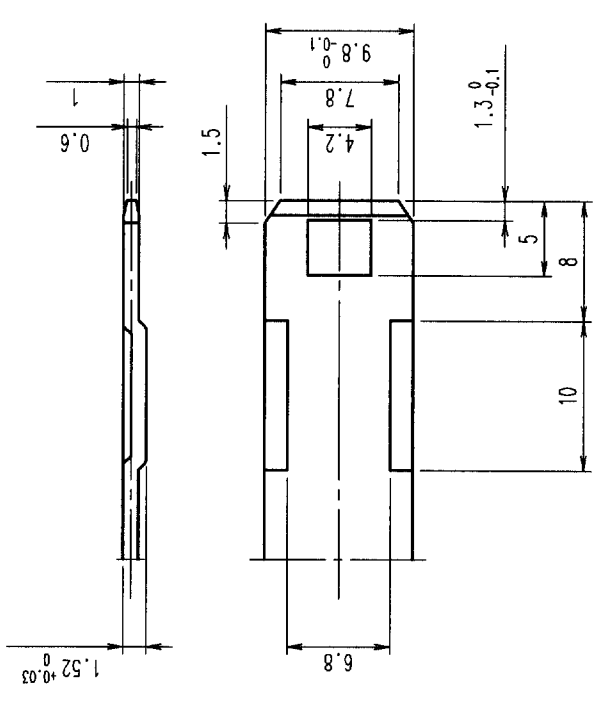
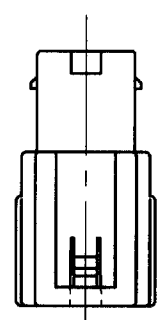
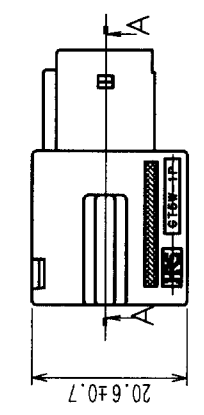
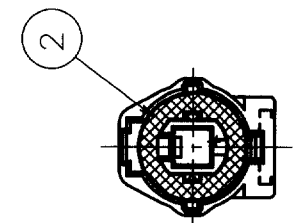
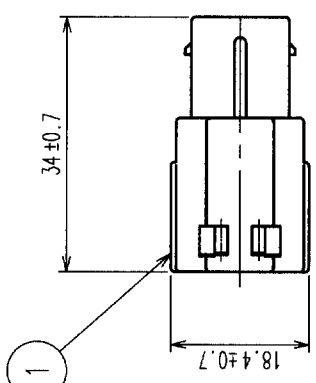


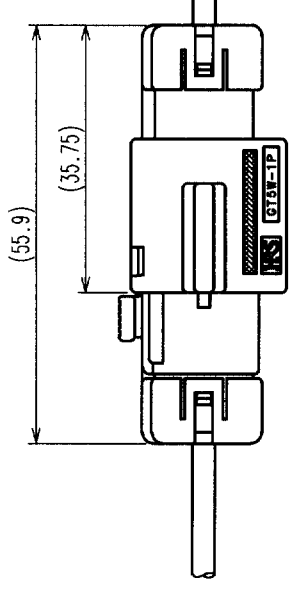
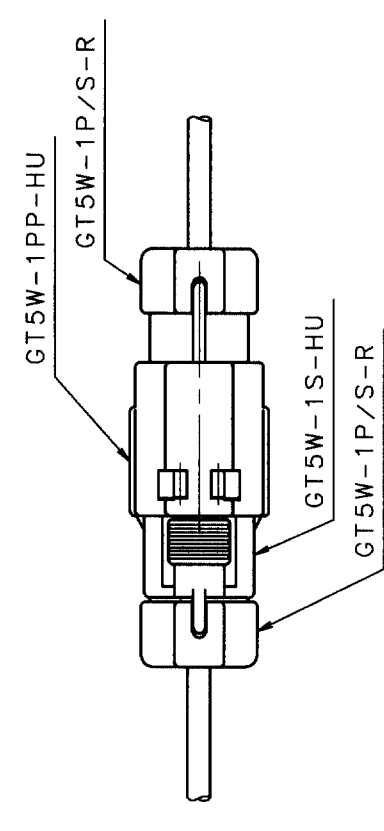
COUNT		DESCRIPTION OF REVISIONS		BY	CHKD	DATE	COUNT	DESCRIPTION OF REVISIONS		BY	CHKD	DATE
△	△						△					
△	△						△					
△	△						△					

NOTE1. A SUITABLE RETAINER FOR CABLE SIZE SHALL BE ASSEMBLED BEFORE USE.

HRS DRAWING FOR REFERENCE



DETAIL OF RECOMMENDED FITTING PLATE(2:1)



MATED CONNECTORS

1	PBT	LIGHT GRAY	2	SILICONE RUBBER	WHITE
NO.	MATERIAL	FINISH, REMARKS	NO.	MATERIAL	FINISH, REMARKS
CODE NO. (OLD)			DRAWN	DESIGNED	CHECKED
CL			S.KURIYA '02.10.15	S.KURIYA '02.10.15	M.Obata '02.10.18
DRAWING NO.			PART NO.		
EDC3-165492			GT5W-1PP-HU		
SCALE			CODE NO.		
1 : 1			CL755-0070-1		
UNITS			1		
mm			1		



HIROSE ELECTRIC CO., LTD