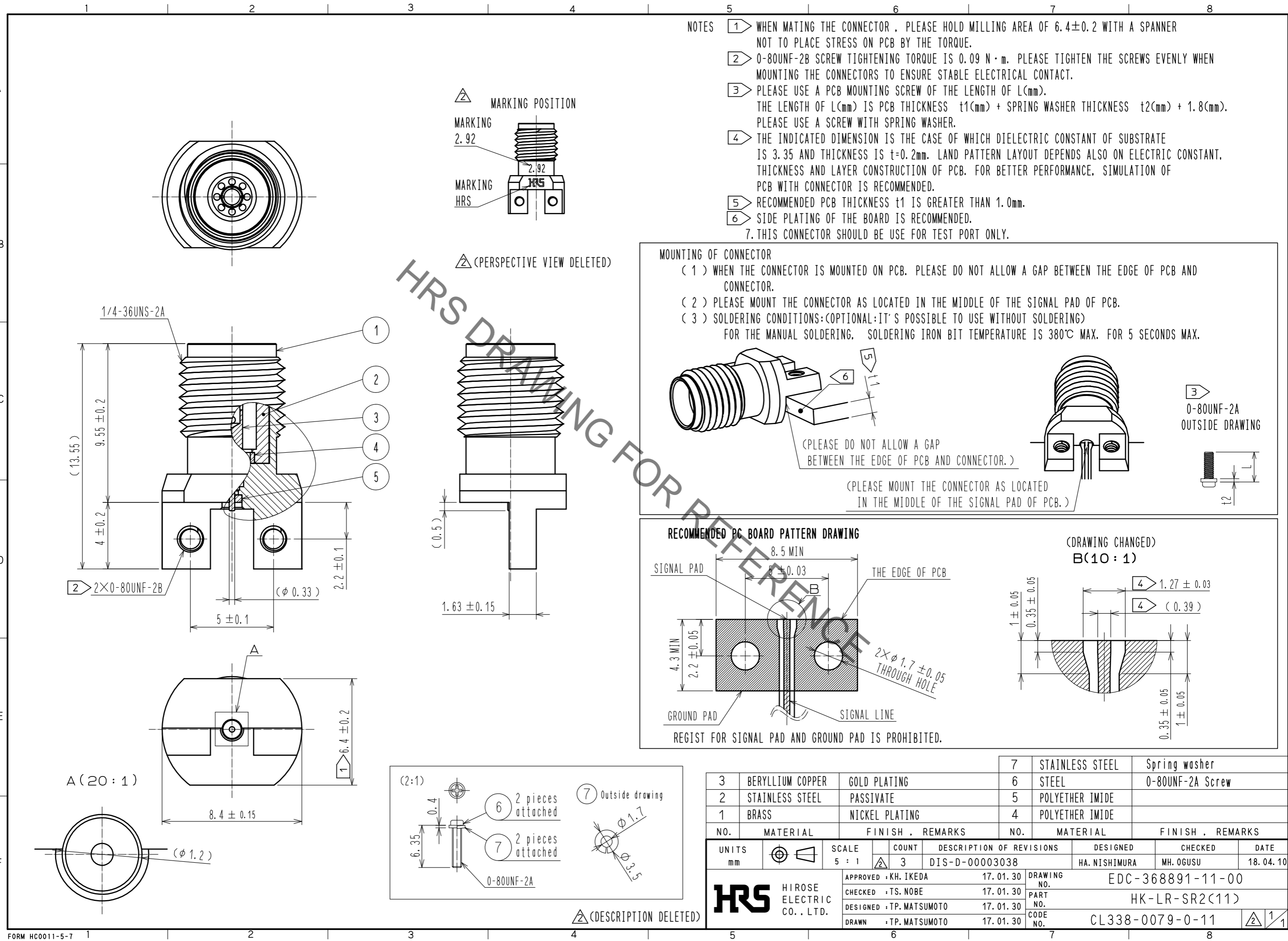
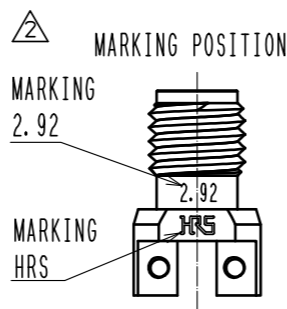


Sep.1.2021 Copyright 2021 HIROSE ELECTRIC CO., LTD. All Rights Reserved.
In case of consideration for using Automotive equipment / device which demand high reliability, kindly contact our sales window correspondents.



- NOTES
- 1 WHEN MATING THE CONNECTOR, PLEASE HOLD MILLING AREA OF 6.4 ± 0.2 WITH A SPANNER NOT TO PLACE STRESS ON PCB BY THE TORQUE.
 - 2 0-80UNF-2B SCREW TIGHTENING TORQUE IS $0.09 \text{ N} \cdot \text{m}$. PLEASE TIGHTEN THE SCREWS EVENLY WHEN MOUNTING THE CONNECTORS TO ENSURE STABLE ELECTRICAL CONTACT.
 - 3 PLEASE USE A PCB MOUNTING SCREW OF THE LENGTH OF L(mm). THE LENGTH OF L(mm) IS PCB THICKNESS $t_1(\text{mm})$ + SPRING WASHER THICKNESS $t_2(\text{mm})$ + $1.8(\text{mm})$. PLEASE USE A SCREW WITH SPRING WASHER.
 - 4 THE INDICATED DIMENSION IS THE CASE OF WHICH DIELECTRIC CONSTANT OF SUBSTRATE IS 3.35 AND THICKNESS IS $t=0.2\text{mm}$. LAND PATTERN LAYOUT DEPENDS ALSO ON ELECTRIC CONSTANT, THICKNESS AND LAYER CONSTRUCTION OF PCB. FOR BETTER PERFORMANCE, SIMULATION OF PCB WITH CONNECTOR IS RECOMMENDED.
 - 5 RECOMMENDED PCB THICKNESS t_1 IS GREATER THAN 1.0mm .
 - 6 SIDE PLATING OF THE BOARD IS RECOMMENDED.
 - 7 THIS CONNECTOR SHOULD BE USE FOR TEST PORT ONLY.



(PERSPECTIVE VIEW DELETED)

MOUNTING OF CONNECTOR

- (1) WHEN THE CONNECTOR IS MOUNTED ON PCB. PLEASE DO NOT ALLOW A GAP BETWEEN THE EDGE OF PCB AND CONNECTOR.
- (2) PLEASE MOUNT THE CONNECTOR AS LOCATED IN THE MIDDLE OF THE SIGNAL PAD OF PCB.
- (3) SOLDERING CONDITIONS:(OPTIONAL:IT'S POSSIBLE TO USE WITHOUT SOLDERING)
FOR THE MANUAL SOLDERING, SOLDERING IRON BIT TEMPERATURE IS 380°C MAX. FOR 5 SECONDS MAX.

(PLEASE DO NOT ALLOW A GAP BETWEEN THE EDGE OF PCB AND CONNECTOR.)

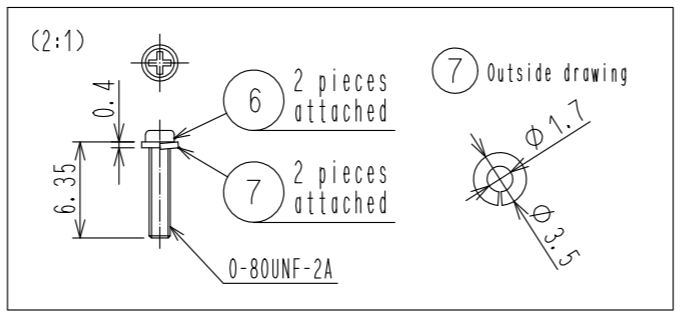
(PLEASE MOUNT THE CONNECTOR AS LOCATED IN THE MIDDLE OF THE SIGNAL PAD OF PCB.)

0-80UNF-2A OUTSIDE DRAWING

RECOMMENDED PC BOARD PATTERN DRAWING

(DRAWING CHANGED) B(10:1)

REGIST FOR SIGNAL PAD AND GROUND PAD IS PROHIBITED.



3	BERYLLIUM COPPER	GOLD PLATING	7	STAINLESS STEEL	Spring washer		
2	STAINLESS STEEL	PASSIVATE	6	STEEL	0-80UNF-2A Screw		
1	BRASS	NICKEL PLATING	5	POLYETHER IMIDE			
			4	POLYETHER IMIDE			
NO.	MATERIAL	FINISH . REMARKS	NO.	MATERIAL	FINISH . REMARKS		
UNITS		SCALE	COUNT	DESCRIPTION OF REVISIONS	DESIGNED	CHECKED	DATE
mm		5 : 1	3	DIS-D-00003038	HA. NISHIMURA	MH. OGUSU	18. 04. 10
APPROVED : KH. IKEDA			17. 01. 30	DRAWING NO. EDC-368891-11-00			
CHECKED : TS. NOBE			17. 01. 30	PART NO. HK-LR-SR2(11)			
DESIGNED : TP. MATSUMOTO			17. 01. 30	CODE NO. CL338-0079-0-11			
DRAWN : TP. MATSUMOTO			17. 01. 30				