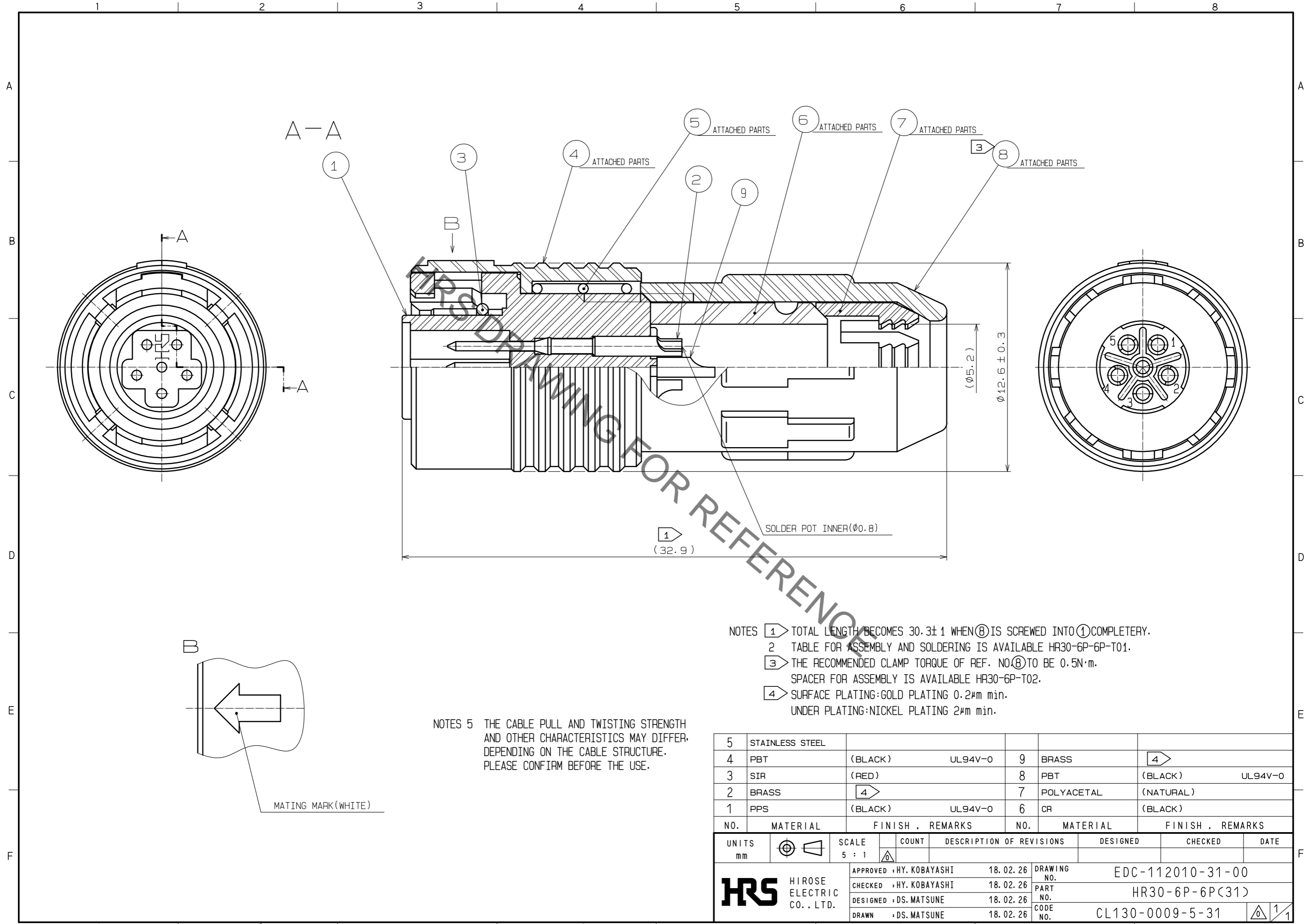
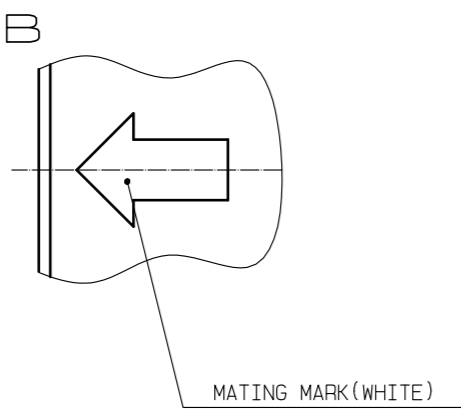


May.1.2021 Copyright 2021 HIROSE ELECTRIC CO., LTD. All Rights Reserved.
In case of consideration for using Automotive equipment / device which demand high reliability, kindly contact our sales window correspondents.



- NOTES
- ① TOTAL LENGTH BECOMES 30.3±1 WHEN ⑧ IS SCREWED INTO ① COMPLETELY.
 - ② TABLE FOR ASSEMBLY AND SOLDERING IS AVAILABLE HR30-6P-6P-T01.
 - ③ THE RECOMMENDED CLAMP TORQUE OF REF. NO.⑧ TO BE 0.5N·m.
SPACER FOR ASSEMBLY IS AVAILABLE HR30-6P-T02.
 - ④ SURFACE PLATING:GOLD PLATING 0.2μm min.
UNDER PLATING:NICKEL PLATING 2μm min.

NOTES 5 THE CABLE PULL AND TWISTING STRENGTH AND OTHER CHARACTERISTICS MAY DIFFER, DEPENDING ON THE CABLE STRUCTURE. PLEASE CONFIRM BEFORE THE USE.



5	STAINLESS STEEL								
4	PBT	(BLACK)	UL94V-0	9	BRASS				
3	SIR	(RED)		8	PBT (BLACK) UL94V-0				
2	BRASS	④		7	POLYACETAL (NATURAL)				
1	PPS	(BLACK)	UL94V-0	6	CR (BLACK)				
NO.	MATERIAL	FINISH	REMARKS	NO.	MATERIAL	FINISH	REMARKS		
UNITS	mm	SCALE	5 : 1	COUNT	DESCRIPTION OF REVISIONS		DESIGNED	CHECKED	DATE
HRS HIROSE ELECTRIC CO., LTD.		APPROVED	: HY. KOBAYASHI	18.02.26	DRAWING NO.		EDC-112010-31-00		
		CHECKED	: HY. KOBAYASHI	18.02.26	PART NO.		HR30-6P-6P(31)		
		DESIGNED	: DS. MATSUNE	18.02.26	CODE NO.		CL130-0009-5-31		
		DRAWN	: DS. MATSUNE	18.02.26			1/1		