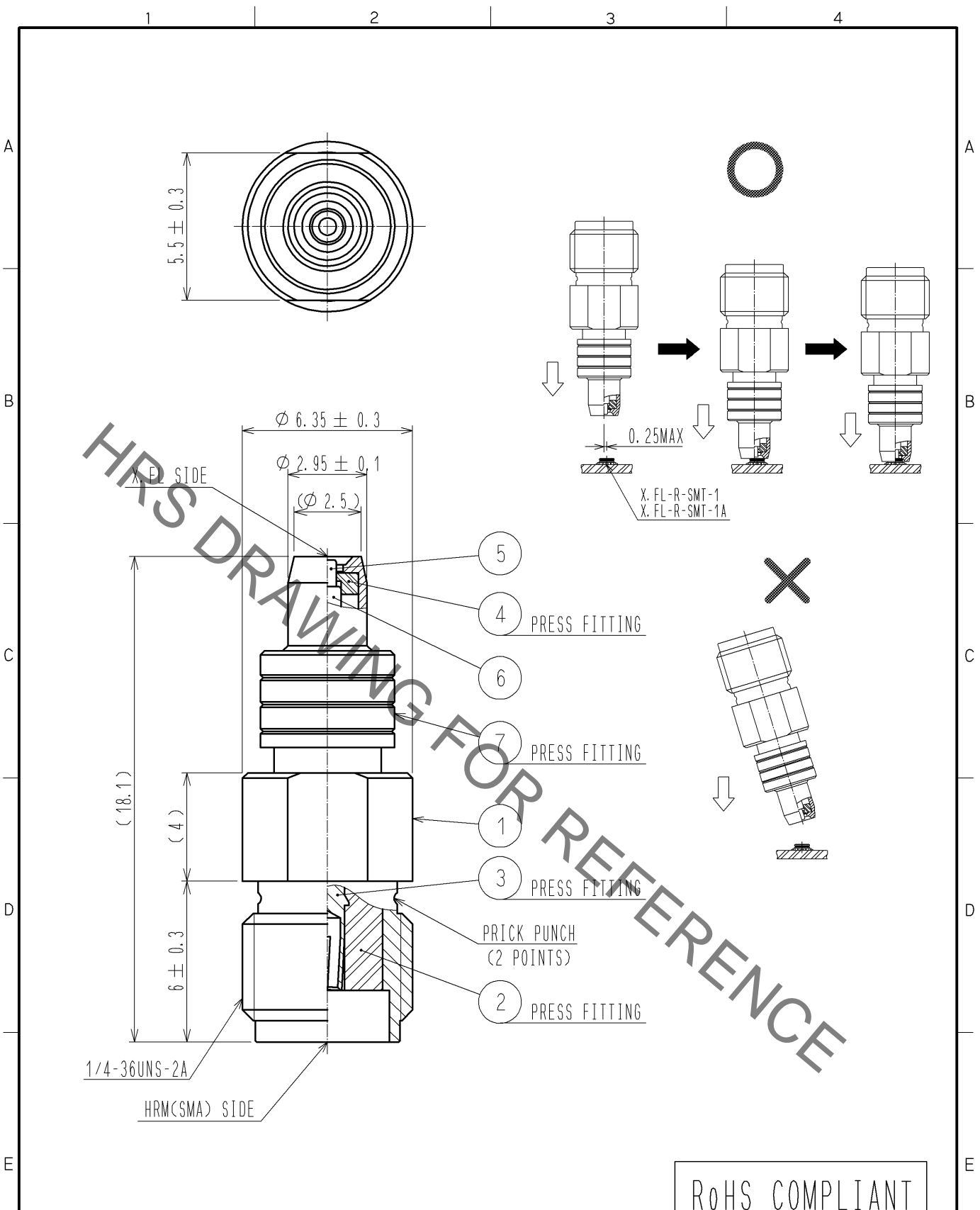


Jan.1.2022 Copyright 2022 HIROSE ELECTRIC CO., LTD. All Rights Reserved.  
 In case of consideration for using Automotive equipment / device which demand high reliability, kindly contact our sales window correspondents.



4	PTFE			7	STAINLESS STEEL	GOLD PLATING	
3	BERYLLIUM COPPER	GOLD PLATING		6	BRASS	GOLD PLATING	
2	PTFE			5	BERYLLIUM COPPER	GOLD PLATING(FREE CONTACT)	
1	BRASS	NICKEL PLATING					
NO.	MATERIAL	FINISH	REMARKS	NO.	MATERIAL	FINISH	REMARKS

UNITS mm		SCALE 5 : 1	COUNT 	DESCRIPTION OF REVISIONS	DESIGNED	CHECKED	DATE
HIROSE ELECTRIC CO., LTD.				APPROVED : MH. YAMANE 11. 05. 28 CHECKED : NK. NINOMIYA 11. 05. 27 DESIGNED : MY. KOJIMA 11. 05. 24 DRAWN : MY. KOJIMA 11. 05. 24	DRAWING NO. EDC4-328934-00 PART NO. HRMJ-X.FLP-ST3 CODE NO. CL311-0450-5-00		