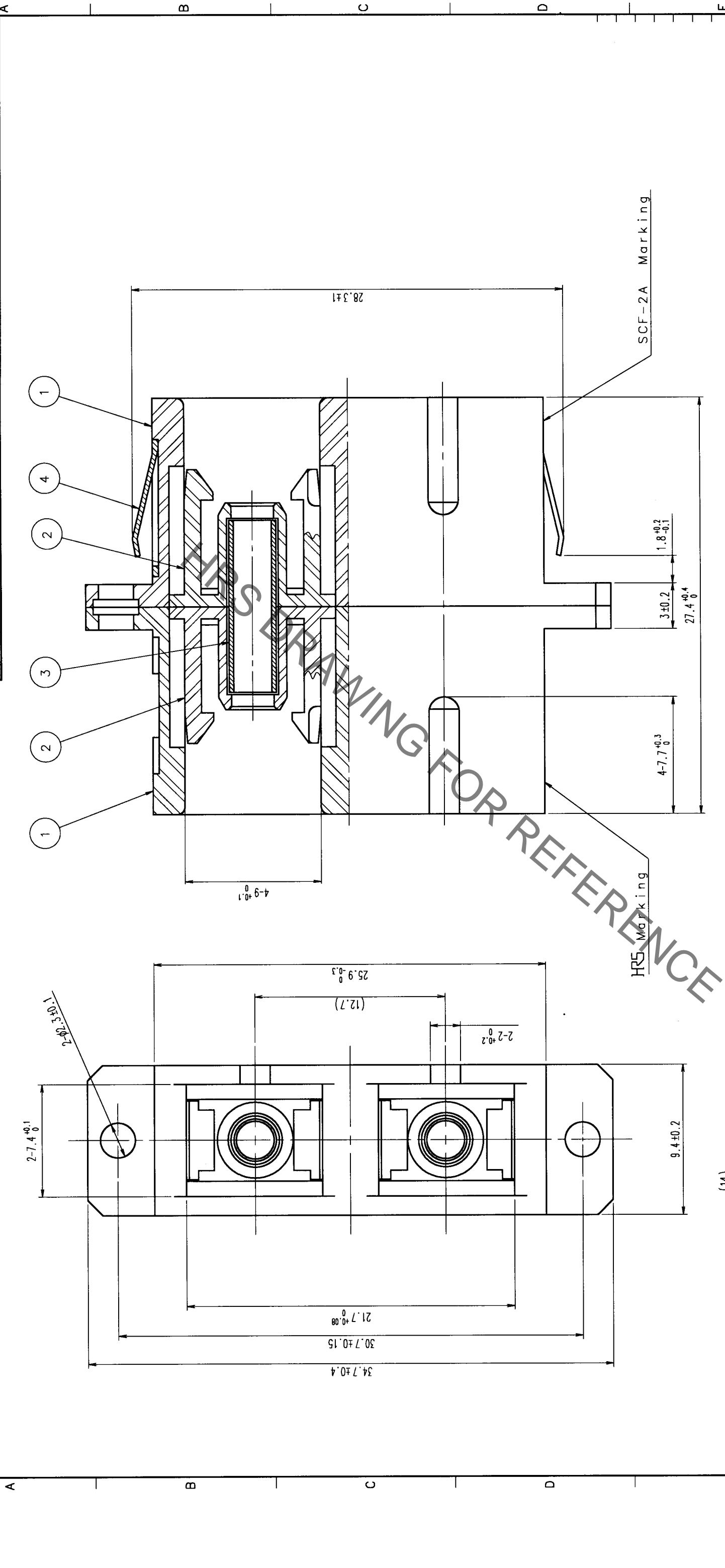


1 2 3 4 5 6 7 8

| COUNT | DESCRIPTION OF REVISIONS | BY | CHKD | DATE | COUNT | DESCRIPTION OF REVISIONS | BY | CHKD | DATE |
|-------|--------------------------|----|------|------|-------|--------------------------|----|------|------|
| △     |                          |    |      | ..   | △     |                          |    |      | ..   |
| △     |                          |    |      | ..   | △     |                          |    |      | ..   |
| △     |                          |    |      | ..   | △     |                          |    |      | ..   |



| NO. | MATERIAL         | FINISH | REMARKS | NO. | MATERIAL         | FINISH | REMARKS |
|-----|------------------|--------|---------|-----|------------------|--------|---------|
| 3   | Zirconia         |        |         | 5   | Synthetic rubber | Black  |         |
| 2   | Synthetic resins | Blue   |         | 4   | Stainless steel  |        |         |
| 1   | Synthetic resins | Blue   |         |     |                  |        |         |

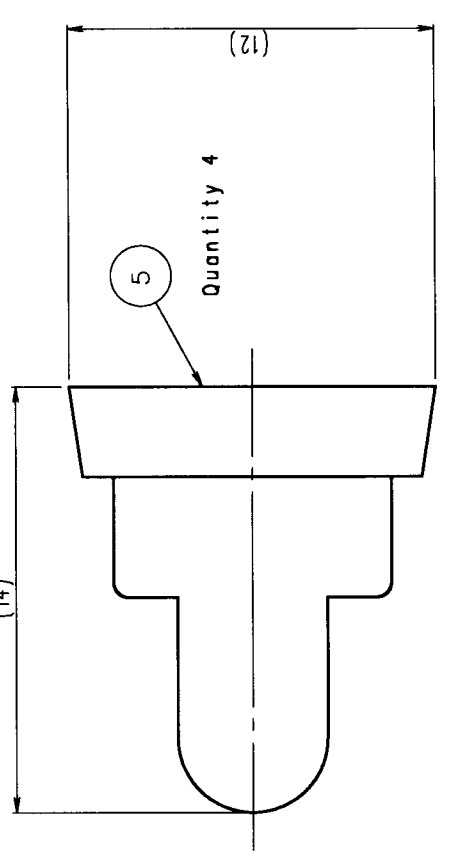
| CODE NO. (OLD) | DRAWN   | DESIGNED | CHECKED | APPROVED | RELEASED |
|----------------|---------|----------|---------|----------|----------|
|                | F.Yoshi | F.Yoshi  | S.Arino | F.Naga   |          |
|                | 00 6 9  | 00 6 9   | 00 6 9  | 00 6 9   |          |

|             |               |
|-------------|---------------|
| DRAWING NO. | HSCF-2A-D (P) |
| EDC3-047843 |               |
| PART NO.    | HSCF-2A-D (P) |
| CODE NO.    | CL704-2040-9  |

|    |  |
|----|--|
| TO |  |
|    |  |
|    |  |



1 2 3 4 5 6 7 8