

Sep.1.2021 Copyright 2021 HIROSE ELECTRIC CO., LTD. All Rights Reserved.
In case of consideration for using Automotive equipment / device which demand high reliability, kindly contact our sales window correspondents.

Fig. 2 (1:1)

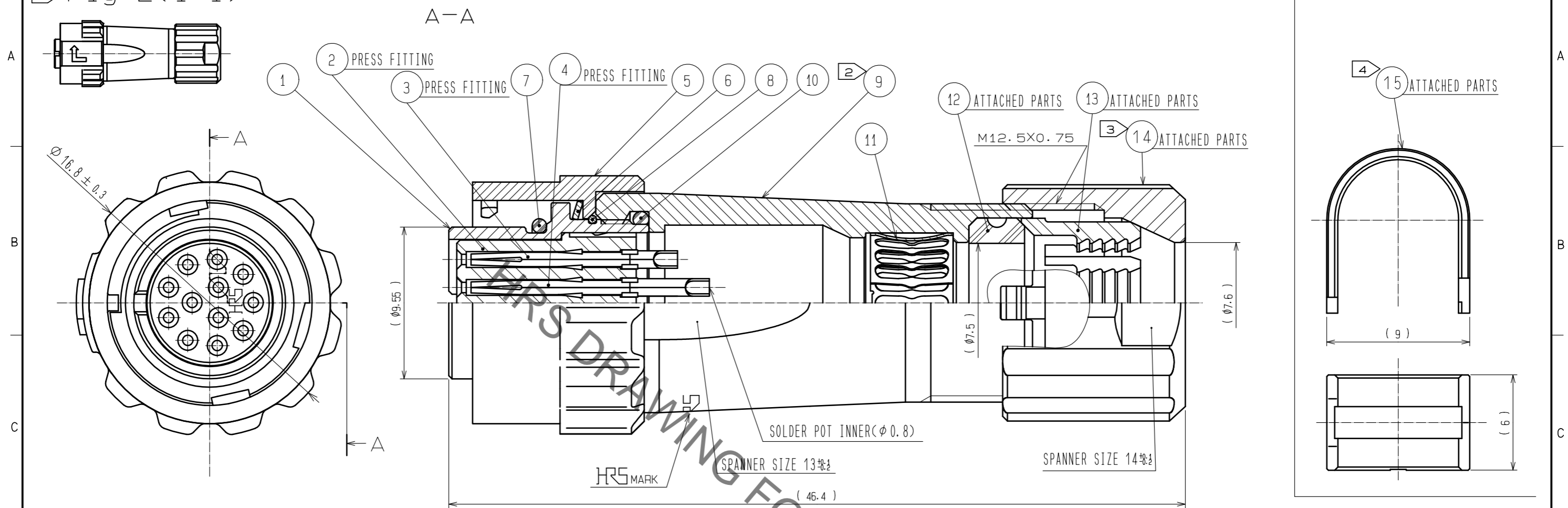


Fig. 1 (2:1)

- NOTES
- 1 PLATING(REF.NO.③,④)
CONTACT AREA : GOLD 0.2μm min.
OTHERS : GOLD OR NICKEL
UNDER PLATING : NICKEL 2μm min.
 - 2 THE RECOMMENDED CLAMP TORQUE OF REF.NO.⑨ TO BE 1 TO 1.5N·m.
THREAD LOCKER TO THE THREADED PORTION OF REF.NO.① IS RECOMMENDED TO PREVENT REF.NO.⑨ FROM LOOSING.
RECOMMENDED THREAD LOCKER:LOCTITE 263, HENKEL JAPAN LTD.
 - 3 THE RECOMMENDED CLAMP TORQUE OF REF.NO.⑭ TO BE 0.8 TO 1N·m.
THREAD LOCKER AND LOCK PRIMER TO THE THREADED PORTION M12.5X0.75 OF REF.NO.⑨ IS RECOMMENDED TO PREVENT REF.NO.⑭ FROM LOOSING.
RECOMMENDED THREAD LOCKER AND LOCK PRIMER : LOCTITE 263, LOCK PRIMER 7649, HENKEL JAPAN LTD.
 - 4 FASTEN REF.NO.⑮ TO THE CABLE WITH THE CABLE CRIMPING TOOL.
AND MAKE REF.NO.⑮ CONTACT WITH REF.NO.⑪(REFER TO Fig.1).
REFER TO THE TECHNICAL SPECIFICATION ETAD-C0099 FOR DETAILS.
APPLICABLE CABLE CRIMPING TOOL : LF-TC-01 (CL150-0234-6)
 - 5 Fig.2 SHOWS THE APPEARANCE AFTER ASSEMBLY.
 - 6 APPLICABLE CABLE ASSEMBLY FIXTURE : LF10BP-T01 (CL150-0235-9)
CABLE ASSEMBLY FIXTURE IS USED AS A RECEPTACLE STAND OF EXTRACT AND THE PART NUMBER ① OF AN ASSEMBLY.
 - 7 ROTATION EXAMPLES OF REF.⑤, ⑨ AND ⑭ TO ① ARE SHOWN.
 - 8 THE CABLE PULL, TWISTING STRENGTH, WATERPROOF ABILITY, OTHER CHARACTERISTICS MAY DIFFER, DEPENDING ON THE CABLE STRUCTURE, PLEASE CONFIRM BEFORE THE USE.

NO.	MATERIAL	FINISH	REMARKS	NO.	MATERIAL	FINISH	REMARKS
8	STAINLESS STEEL			15	BRASS	NICKEL PLATING	
7	CHLOROPRENE RUBBER	(BLACK)		14	PPS	(NATURAL·BROWN)	UL94V-0
6	STAINLESS STEEL			13	POLYAMIDE	(NATURAL·MILKY WHITE)	UL94V-0
5	ZINC ALLOY	NICKEL PLATING		12	CHLOROPRENE RUBBER	(BLACK)	
4	PHOSPHOR BRONZE	①		11	PHOSPHOR BRONZE	NICKEL PLATING	
3	PHOSPHOR BRONZE	①		10	CHLOROPRENE RUBBER	(BLACK)	
2	PPS	(BLACK)	UL94V-0	9	ZINC ALLOY	NICKEL PLATING	
1	ZINC ALLOY	NICKEL PLATING					

UNITS	SCALE	COUNT	DESCRIPTION OF REVISIONS	DESIGNED	CHECKED	DATE
mm	4:1	△				
APPROVED : HY. KOBAYASHI			18.02.22	DRAWING NO. EDC-116732-31-00		
CHECKED : HY. KOBAYASHI			18.02.22	PART NO. LF10WBPD-12S(31)		
DESIGNED : TY. SUZUKI			18.02.21	CODE NO. CL136-0015-6-31		
DRAWN : HM. SAITO			18.02.19	①/1		