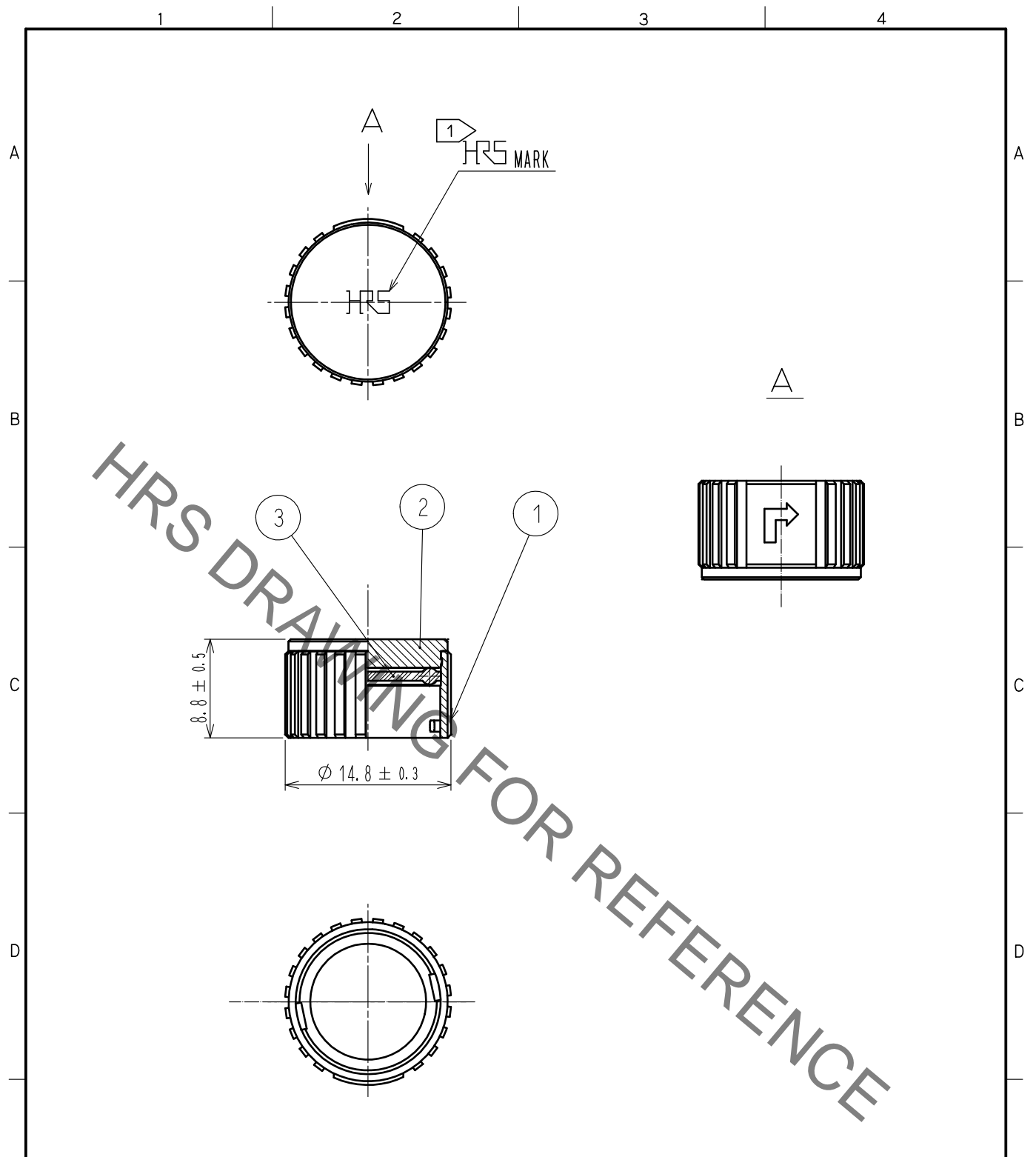


Feb.1.2023 Copyright 2023 HIROSE ELECTRIC CO., LTD. All Rights Reserved.  
 In case of consideration for using Automotive equipment / device which demand high reliability, kindly contact our sales window correspondents.



NOTES  
 1 ROTATION EXAMPLES OF HRS MARK ARE SHOWN.  
 2 THIS PRODUCT IS A CAP FOR LF10WBR※-※(※).  
 IT IS APPLICABLE REGARDLESS OF GIVEN ALPHABETS OR NUMBERS SHOWN AT ※.

2	BRASS	NICKEL PLATING						
1	ZINC ALLOY	NICKEL PLATING	3	ACRYLONITRILE BUTADIENE RUBBER (GRAY)				
NO.	MATERIAL	FINISH .	REMARKS	NO.	MATERIAL	FINISH .	REMARKS	
UNITS mm		SCALE 2 : 1	COUNT 	DESCRIPTION OF REVISIONS		DESIGNED	CHECKED	DATE
HIROSE ELECTRIC CO., LTD.		APPROVED	HY. KOBAYASHI	18.02.22	DRAWING NO.	EDC-115795-31-00		
		CHECKED	HY. KOBAYASHI	18.02.22	PART NO.	LF10WBR-C(31)		
		DESIGNED	TY. SUZUKI	18.02.22	CODE NO.	CL136-3001-8-31		1/1
		DRAWN	HM. SAITO	18.02.20				