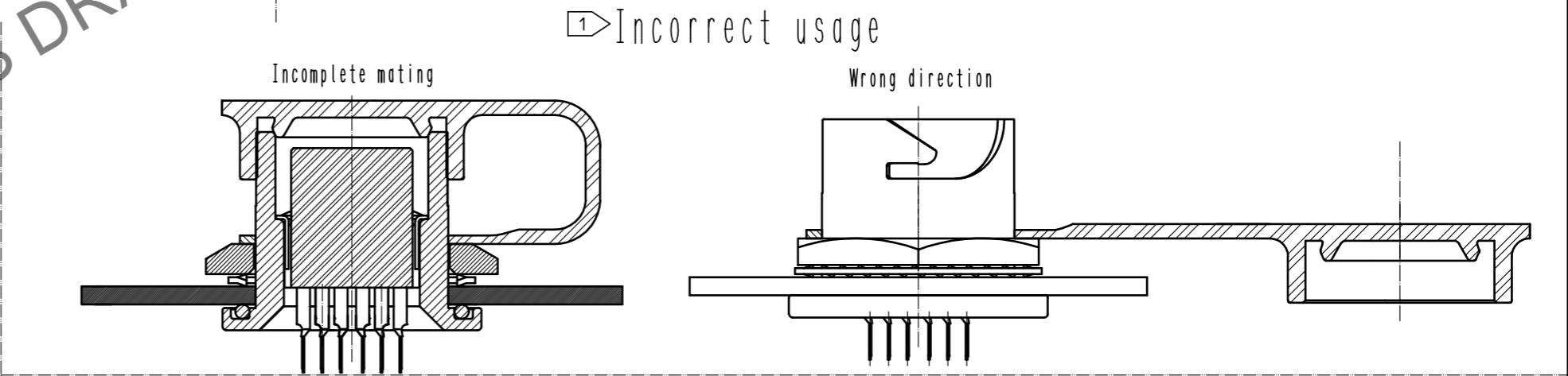
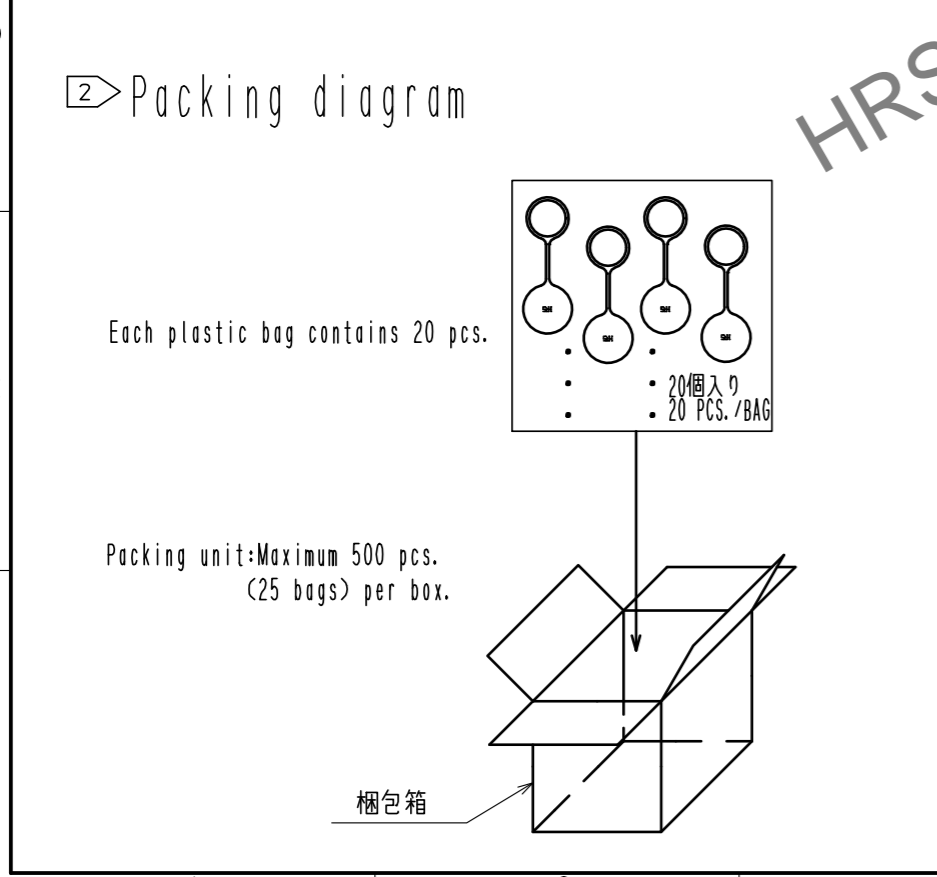
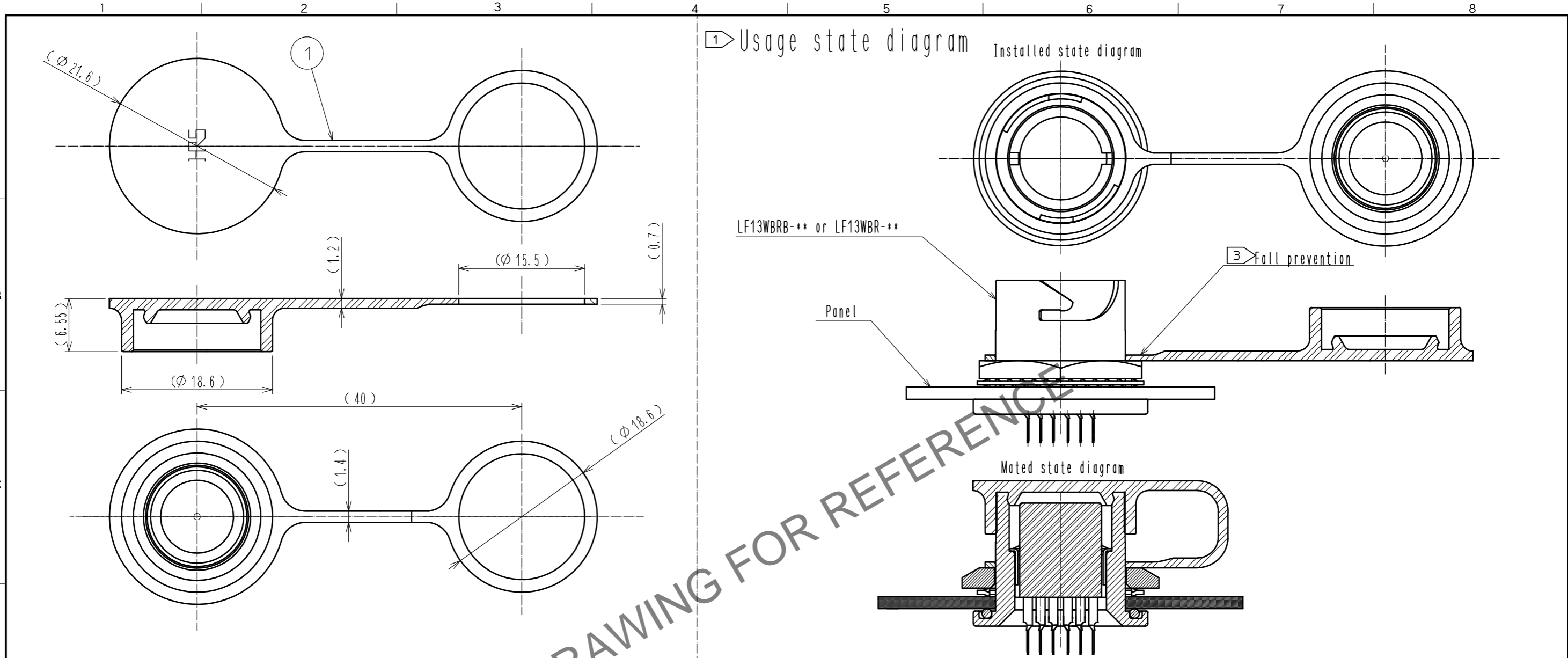


Mar.1.2024 Copyright 2024 HIROSE ELECTRIC CO., LTD. All Rights Reserved.  
In case of consideration for using Automotive equipment / device which demand high reliability, kindly contact our sales window correspondents.



Notes

- ① When using the products, please observe the correct usage as shown in the diagram after assembling. Wrong use may cause water leaks.
- ② The packing diagram is an example of packaging process.
- ③ As the fall prevention is a simple fixing, the product may become disengaged from the receptacle.

1	Chloroprene rubber (Black)								
NO.	MATERIAL	FINISH	REMARKS	NO.	MATERIAL	FINISH	REMARKS		
UNITS	mm	SCALE	2 : 1	COUNT	DESCRIPTION OF REVISIONS		DESIGNED	CHECKED	DATE
HIROSE ELECTRIC CO., LTD.				APPROVED	:EJ. KUNII	16.10.21	DRAWING NO. EDC-119606-00-00		
				CHECKED	:EJ. KUNII	16.10.21	PART NO. LF13WBR-C2		
				DESIGNED	:SY. KONDO	16.10.21	CODE NO. CL136-3011-0-00		
				DRAWN	:SY. KONDO	16.10.21			