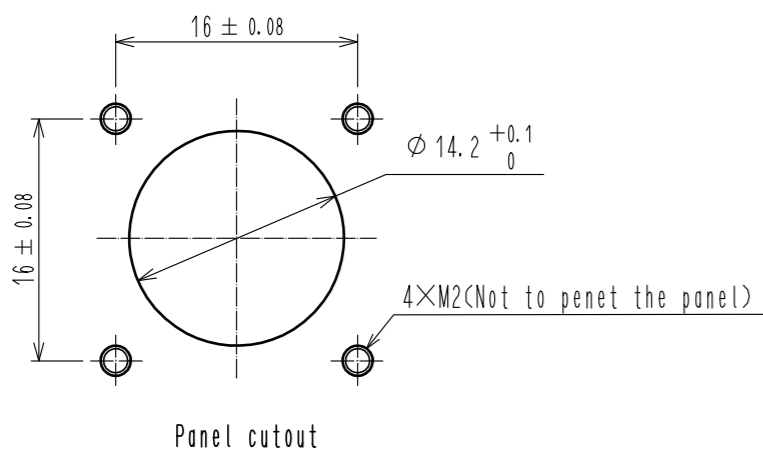
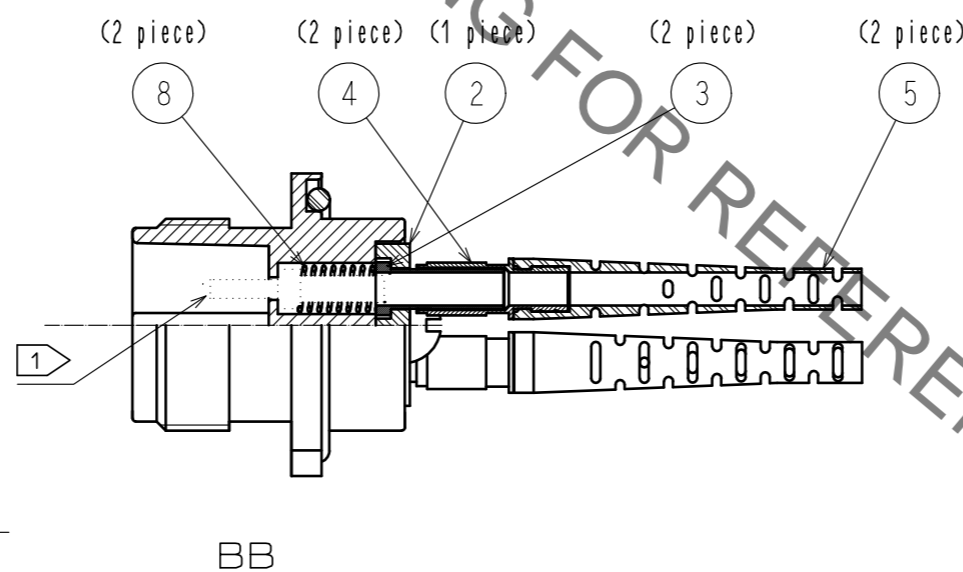
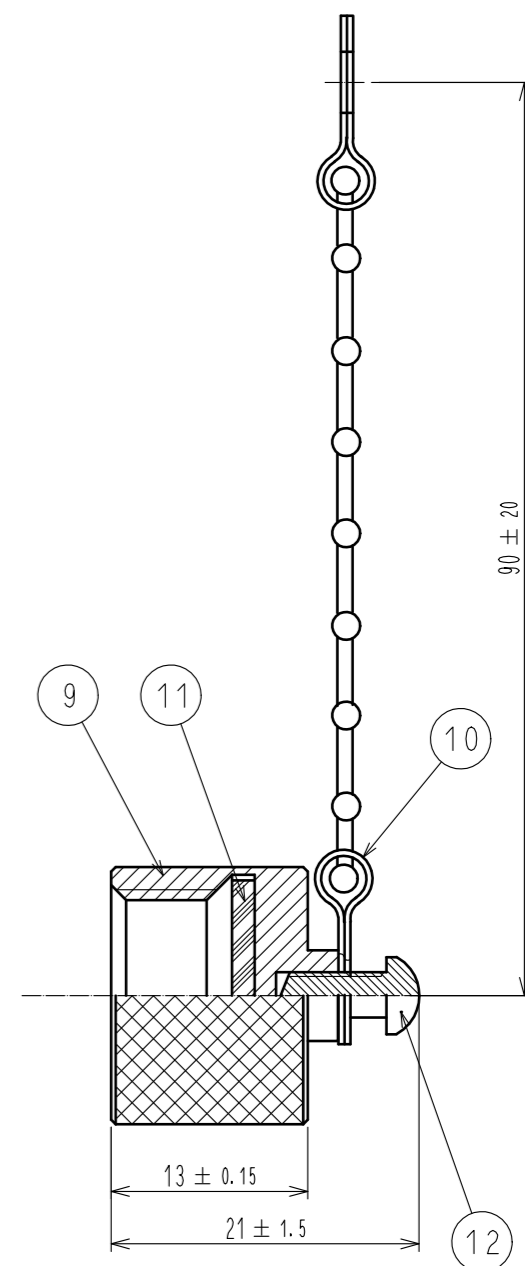
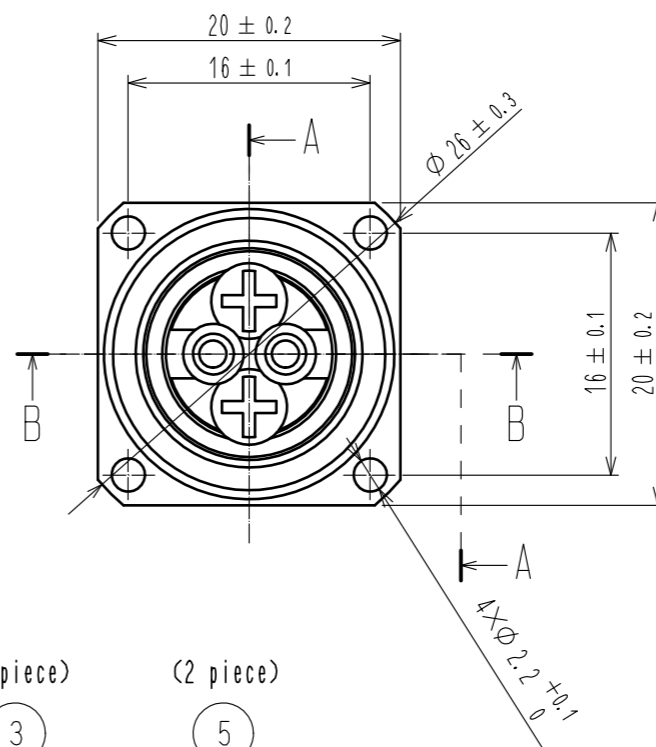
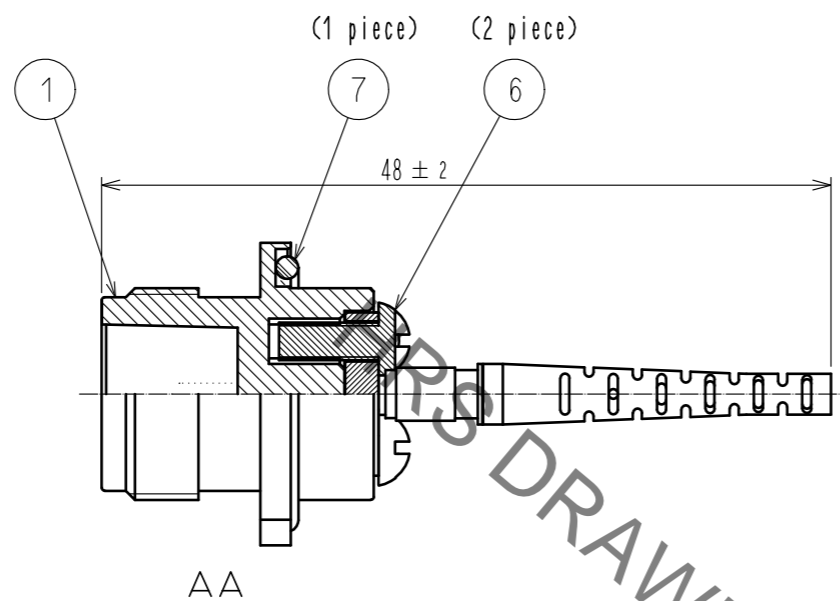
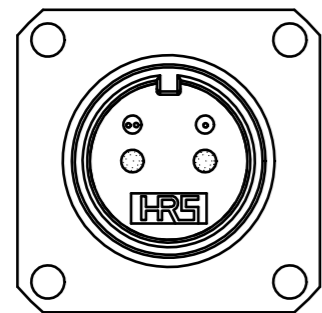


May.1.2021 Copyright 2021 HIROSE ELECTRIC CO., LTD. All Rights Reserved.
 In case of consideration for using Automotive equipment / device which demand high reliability, kindly contact our sales window correspondents.



Note 1 Ferrules are not included in this product. Please use an optional MU ferrule.
 2. The assembled cap is inserted into this product and delivered.

6	Stainless steel		12	Stainless steel	Nyrock
5	TEPP	Color: Mauve	11	SIR	Color: Transparent
4	Brass	Nickel plating	10	Stainless steel	
3	Brass	Nickel plating	9	Aluminum alloy	Anodic oxide coating(Black)
2	Brass	Nickel plating	8	Piano wire	Zinc plating
1	Zinc die casting	Chrome plating (Black)	7	EPR	Color: Black
NO.	MATERIAL	FINISH . REMARKS	NO.	MATERIAL	FINISH . REMARKS
UNITS		SCALE	COUNT		DESCRIPTION OF REVISIONS
mm		2 : 1	△		DESIGNED
HRS		HIROSE ELECTRIC CO., LTD.	APPROVED : MT. SHIBUTANI 18.03.30		DESIGNED
			CHECKED : MT. SHIBUTANI 18.03.30		CHECKED
			DESIGNED : SI. MATSUMOTO 18.03.30		DATE
			DRAWN : SR. TOYOKAWA 18.03.30		
			DRAWING NO.		EDC-176272-33-00
			PART NO.		MF10S-WDRFC01-0200(33)
			CODE NO.		CL709-0526-1-33
					1/1