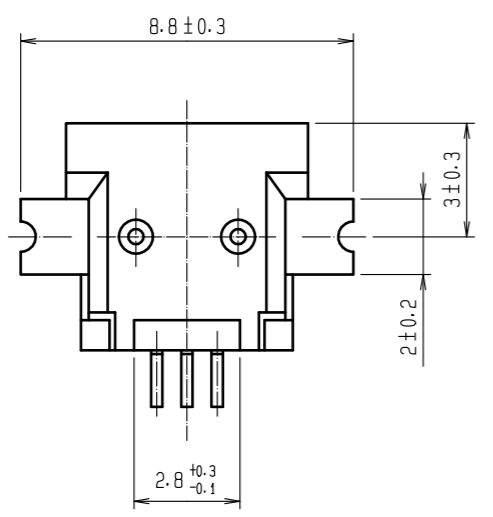
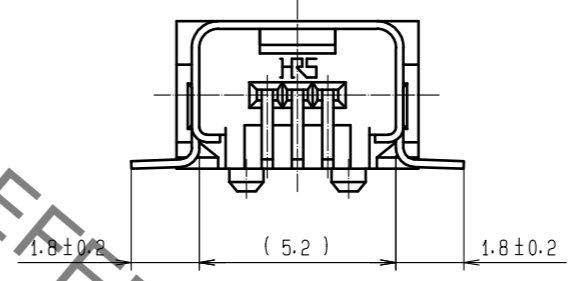
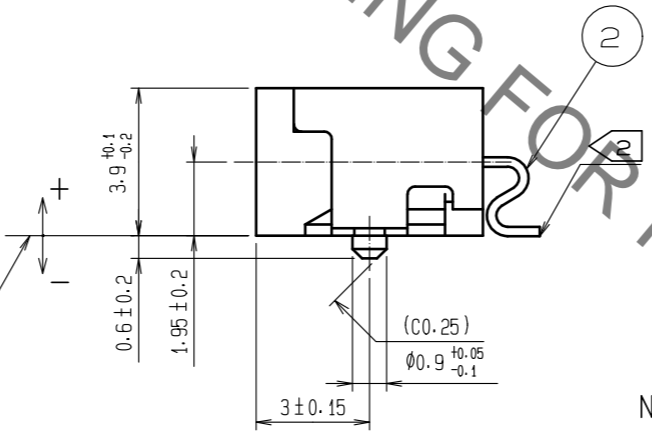
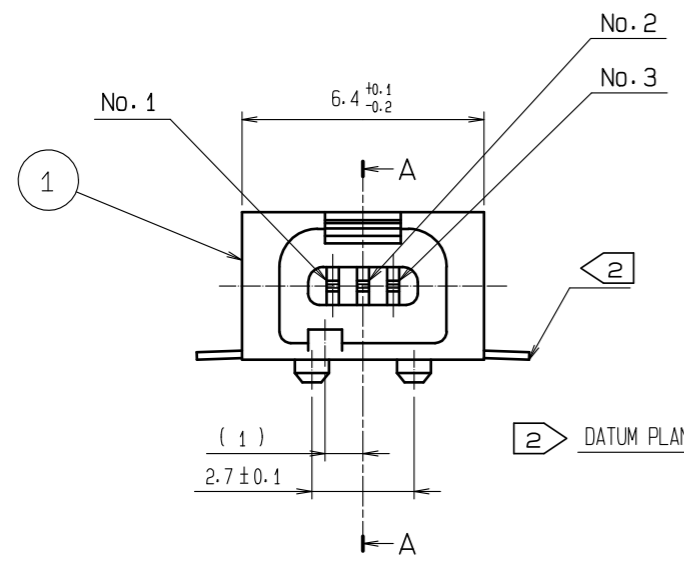
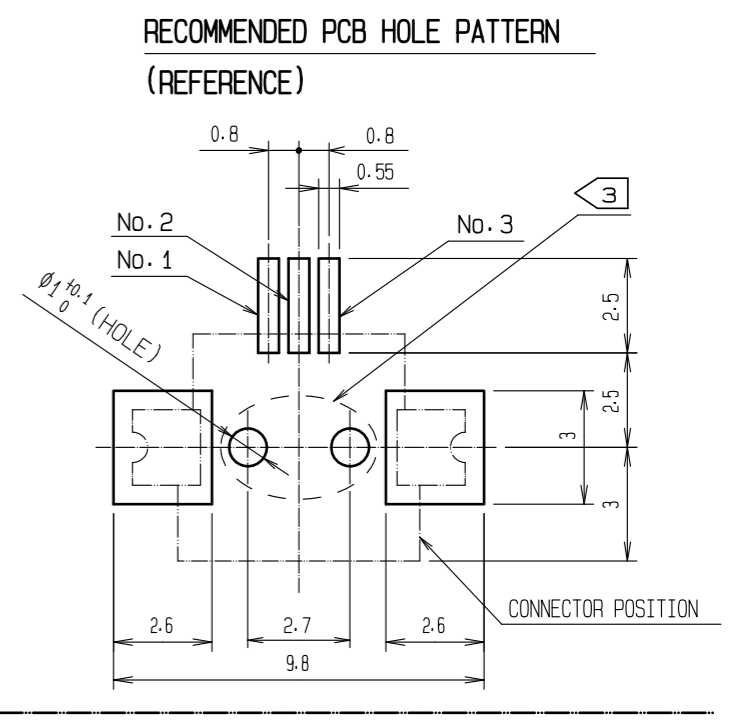
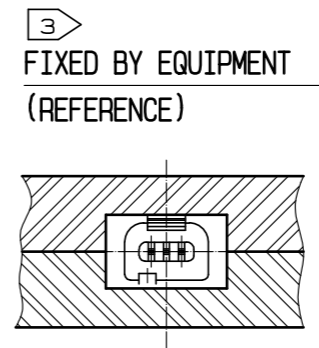
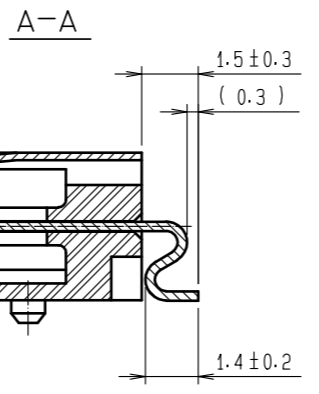
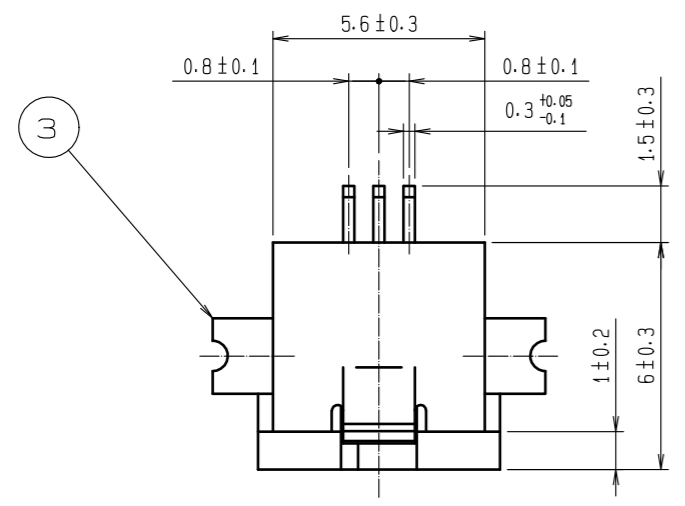


Nov.1.2022 Copyright 2022 HIROSE ELECTRIC CO., LTD. All Rights Reserved. In case of consideration for using Automotive equipment / device which demand high reliability, kindly contact our sales window correspondents.



1 CHART-1 POLARIZATION

POLARIZATION	
No. 1 (+)	POWER
No. 2 (+)	SIGNAL
No. 3 (-)	POWER

- NOTES
- 1 POLARIZATION IS AS SHOWN ON CHART-1.
 - 2 COPLANARITY (INCLUDING METAL FITTING) SHALL BE 0-0.15 FROM DATUM PLANE.
 - 3 FIXING TO PCB OF THIS PRODUCT IS SOLDER TYPE. WE RECOMMEND TO USE ADHESIVE ON PCB SURFACE, AND FIX THIS PRODUCT BY THE BODY OF EQUIPMENT ITSELF.
 - 4 DIRECTION FOR USE. PLEASE DO NOT USE FOR THE PURPOSE OF INTERRUPTING THE CURRENT.

NO.	MATERIAL	FINISH	REMARKS	NO.	MATERIAL	FINISH	REMARKS
2	COPPER ALLOY	CONTACT AREA:	PALLADIUM NICKEL 0.7μm MIN.	5	PS		
		LEAD AREA:	GOLD 0.2μm MIN.	4	PS		
1	POLYAMIDE	BLACK	UL94V-0	3	STAINLESS STEEL	GOLD PLATING 0.03μm MIN.	UNDER PLATING NICKEL 0.2μm MIN.

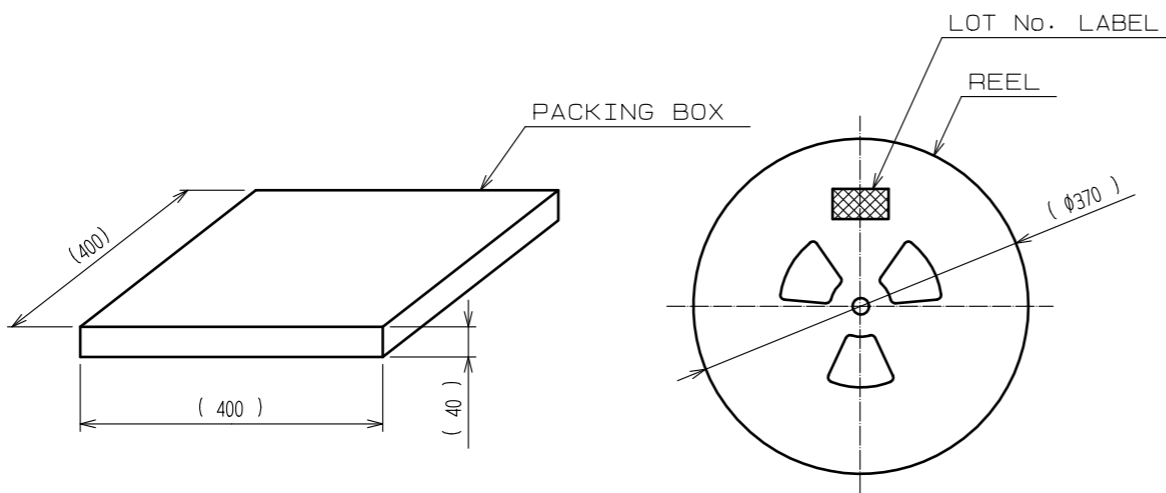
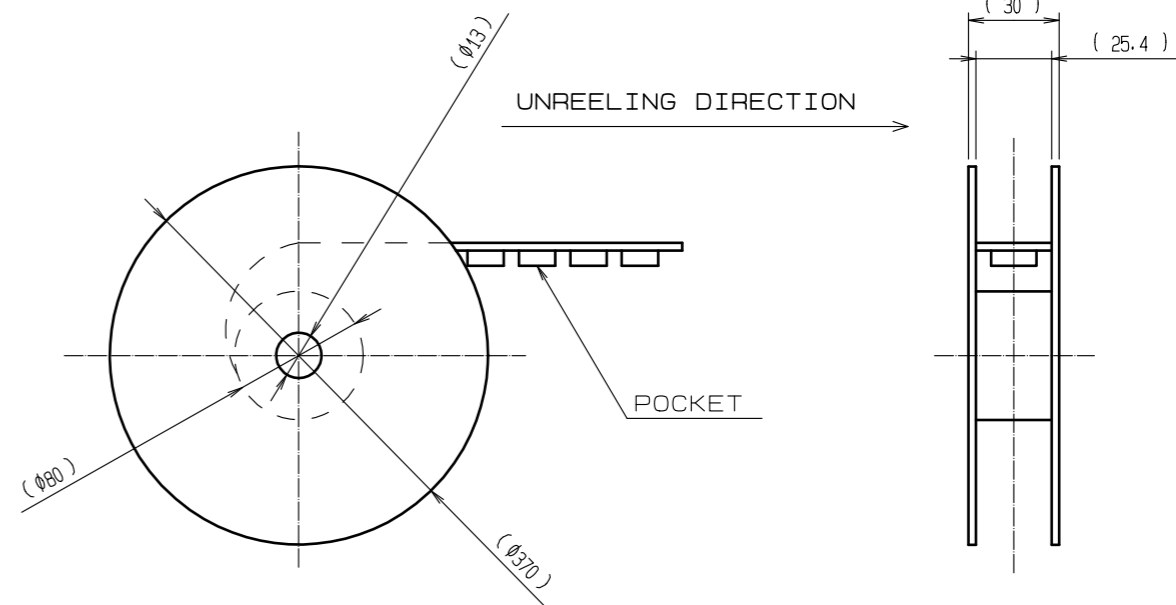
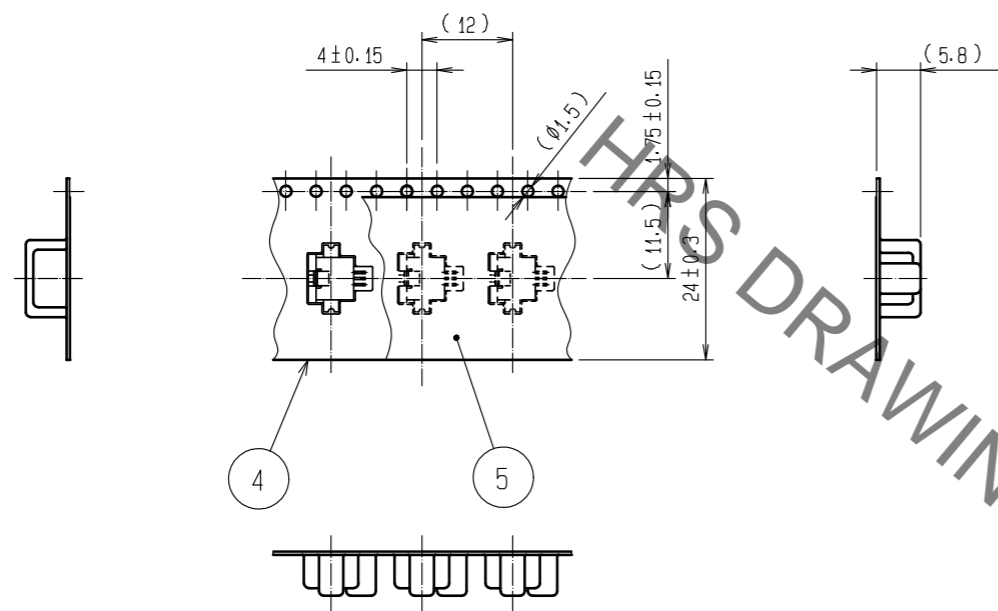
UNITS	SCALE	COUNT	DESCRIPTION OF REVISIONS	DESIGNED	CHECKED	DATE
mm	5 : 1	△				

HRS HIROSE ELECTRIC CO., LTD.	APPROVED : NM. NISHIMATSU 15.10.27	DRAWING NO. EDC-120677-33-00
	CHECKED : KN. ICHIKAWA 15.10.27	PART NO. MQ172-3PA(33)
	DESIGNED : TS. ITO 15.10.27	CODE NO. CL206-0950-4-33
	DRAWN : AK. AKIYAMA 15.10.27	

Nov.1.2022 Copyright 2022 HIROSE ELECTRIC CO., LTD. All Rights Reserved.
 In case of consideration for using Automotive equipment / device which demand high reliability, kindly contact our sales window correspondents.

5 DRAWING FOR PACKAGING
 (SCALE : FREE)

UNREELING DIRECTION →



NOTE 5 1REEL : 1000 PCS CONNECTORS.

(FOR EXAMPLE) LOT No. LABEL

PRODUCTION DATE	YEAR / MONTH / DAY
CODE No.	206-0950-4-33
PART No.	MQ172-3PA(33)
DELIVERY QUANTITY	1000 PCS
SUPPLIER	Hirose Electric Co., Ltd.

HRS	DRAWING NO.	EDC-120677-33-00
	PART NO.	MQ172-3PA(33)
	CODE NO.	CL206-0950-4-33
		2/2