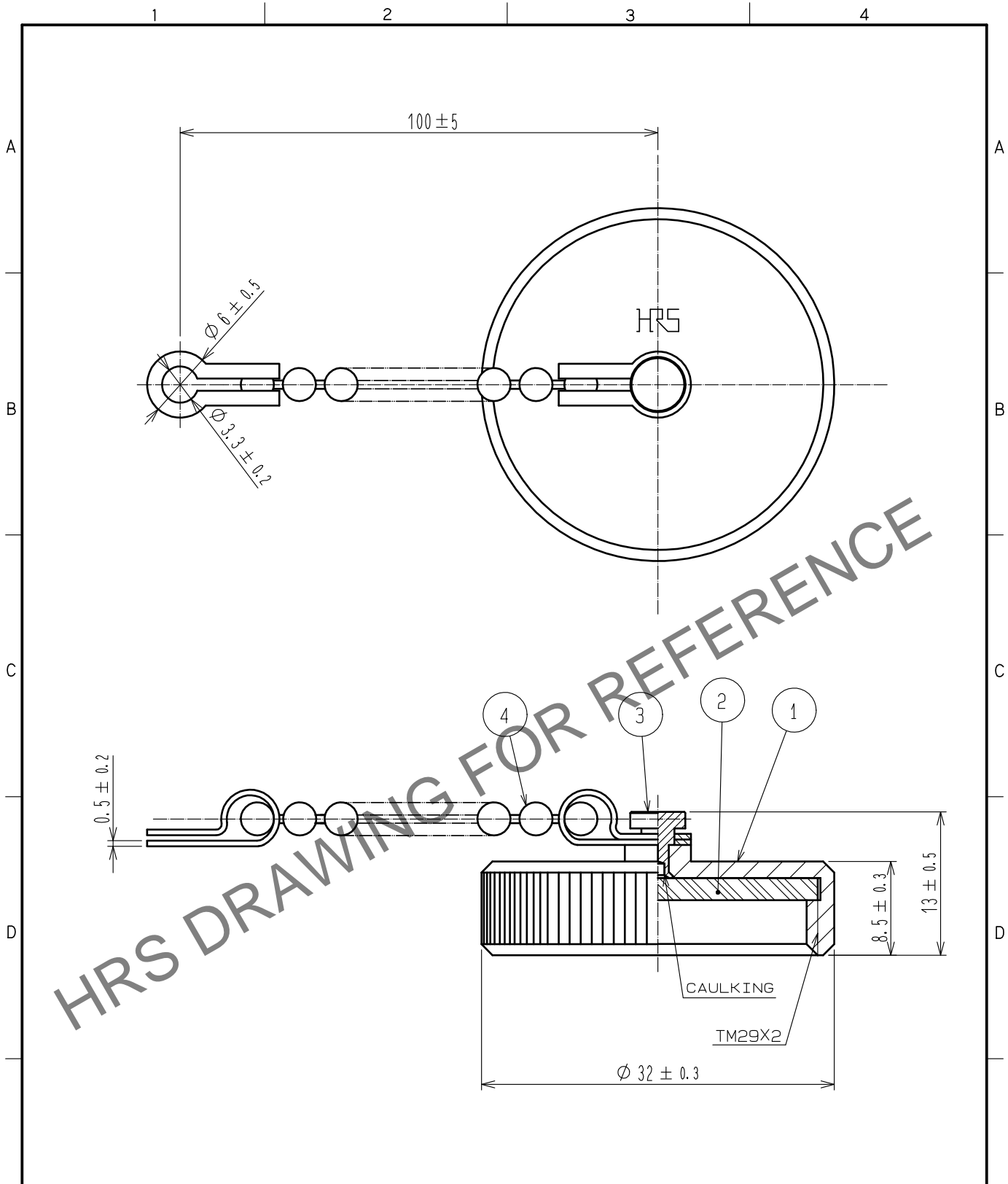


Apr.1.2024 Copyright 2024 HIROSE ELECTRIC CO., LTD. All Rights Reserved.  
 In case of consideration for using Automotive equipment / device which demand high reliability, kindly contact our sales window correspondents.



HRS DRAWING FOR REFERENCE

NOTE THIS PRODUCT IS A CAP FOR RM24TR※-※(※), RM24WTR※-※(※)  
 IT IS APPLICABLE REGARDLESS OF GIVEN ALPHABETS OR NUMBERS SHOWN AT ※.

2	CHLOROPRENE RUBBER	(BLACK)	4	BRASS	NICKEL PLATING
1	BRASS	NICKEL PLATING	3	BRASS	NICKEL PLATING
NO.	MATERIAL	FINISH . REMARKS	NO.	MATERIAL	FINISH . REMARKS
UNITS mm		SCALE 2 : 1	COUNT 	DESCRIPTION OF REVISIONS	DESIGNED
HIROSE ELECTRIC CO., LTD.		APPROVED :HY. KOBAYASHI	18.02.22	DRAWING NO.	EDC-003912-31-00
		CHECKED :HY. KOBAYASHI	18.02.22	PART NO.	RM24TR-C(31)
		DESIGNED :HY. KISHI	18.02.21	CODE NO.	CL109-0492-2-31
		DRAWN :MK. INOUE	18.02.06		