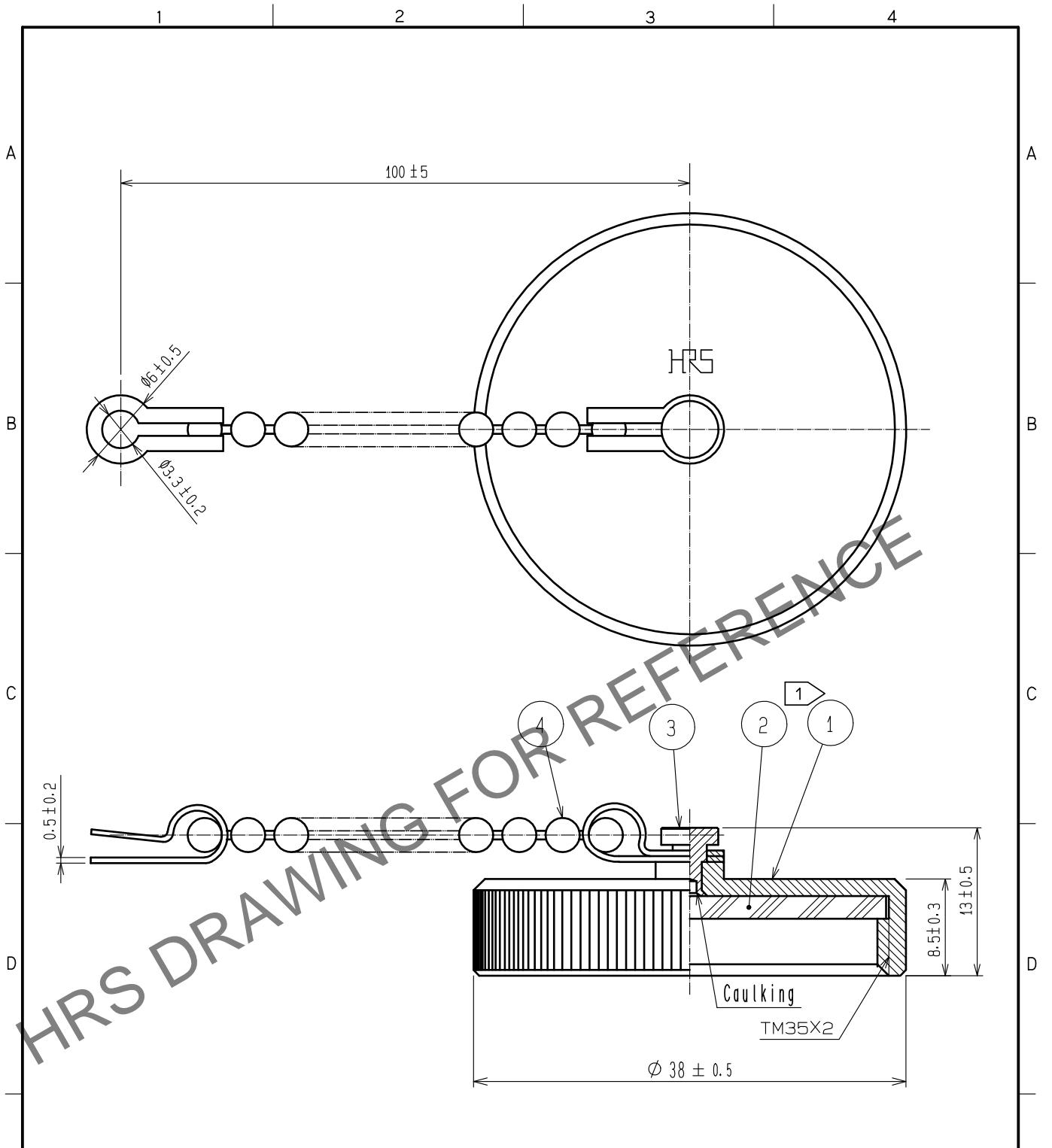


Apr.1.2024 Copyright 2024 HIROSE ELECTRIC CO., LTD. All Rights Reserved.
 In case of consideration for using Automotive equipment / device which demand high reliability, kindly contact our sales window correspondents.



Notes ① The recommended tightening of ref. ① to be 2N·m.
 2. This product is a cap for RM31TR+-(*) , RM31WTR+-(*) . It is applicable regardless of given alphabets or numbers shown at *.

NO.	MATERIAL	FINISH .	REMARKS	NO.	MATERIAL	FINISH .	REMARKS
2	Chloroprene rubber	(Black)		4	Brass ①	Nickel plating	
1	Brass ①	Nickel plating		3	Brass ①	Nickel plating	

UNITS	SCALE	COUNT	DESCRIPTION OF REVISIONS	DESIGNED	CHECKED	DATE
mm	2 : 1	3	DIS-C-00007408	TY. SUZUKI	HY. KOBAYASHI	20210802

APPROVED	CHECKED	DESIGNED	DRAWN	DRAWING NO.	PART NO.	CODE NO.
HY. KOBAYASHI	HY. KOBAYASHI	HY. KISHI	MK. INOUE	EDC-003165-31-00	RM31TR-C(31)	CL0109-0394-3-31