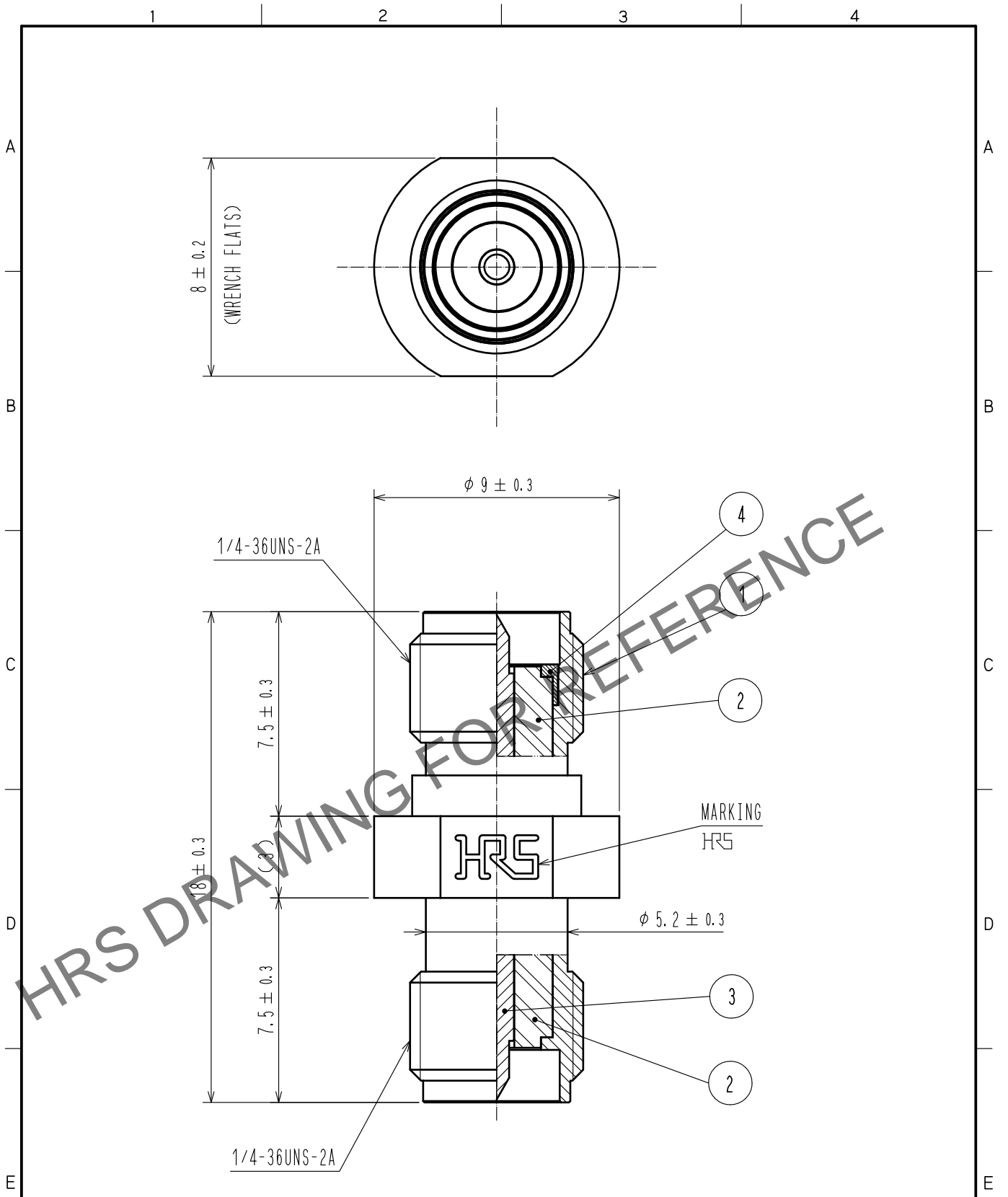


Mar.1.2025 Copyright 2025 HIROSE ELECTRIC CO., LTD. All Rights Reserved.  
 In case of consideration for using Automotive equipment / device which demand high reliability, kindly contact our sales window correspondents.



RoHS COMPLIANT

2	PTFE		4	STAINLESS STEEL	PASSIVATED		
1	STAINLESS STEEL	PASSIVATED	3	BRASS	GOLD PLATING		
NO.	MATERIAL	FINISH . REMARKS	NO.	MATERIAL	FINISH . REMARKS		
UNITS mm		SCALE 5 : 1	COUNT 	DESCRIPTION OF REVISIONS	DESIGNED	CHECKED	DATE
HIROSE ELECTRIC CO., LTD.		APPROVED : TO. KATAYAMA	17. 08. 30	DRAWING NO.	EDC-379044-00-00		
		CHECKED : KY. SHIMIZU	17. 08. 30	PART NO.	SMA(R)-A-JJ		
		DESIGNED : TY. OZAKI	17. 08. 30	CODE NO.	CL323-0124-0-00		
		DRAWN : TY. OZAKI	17. 08. 30		1/1		