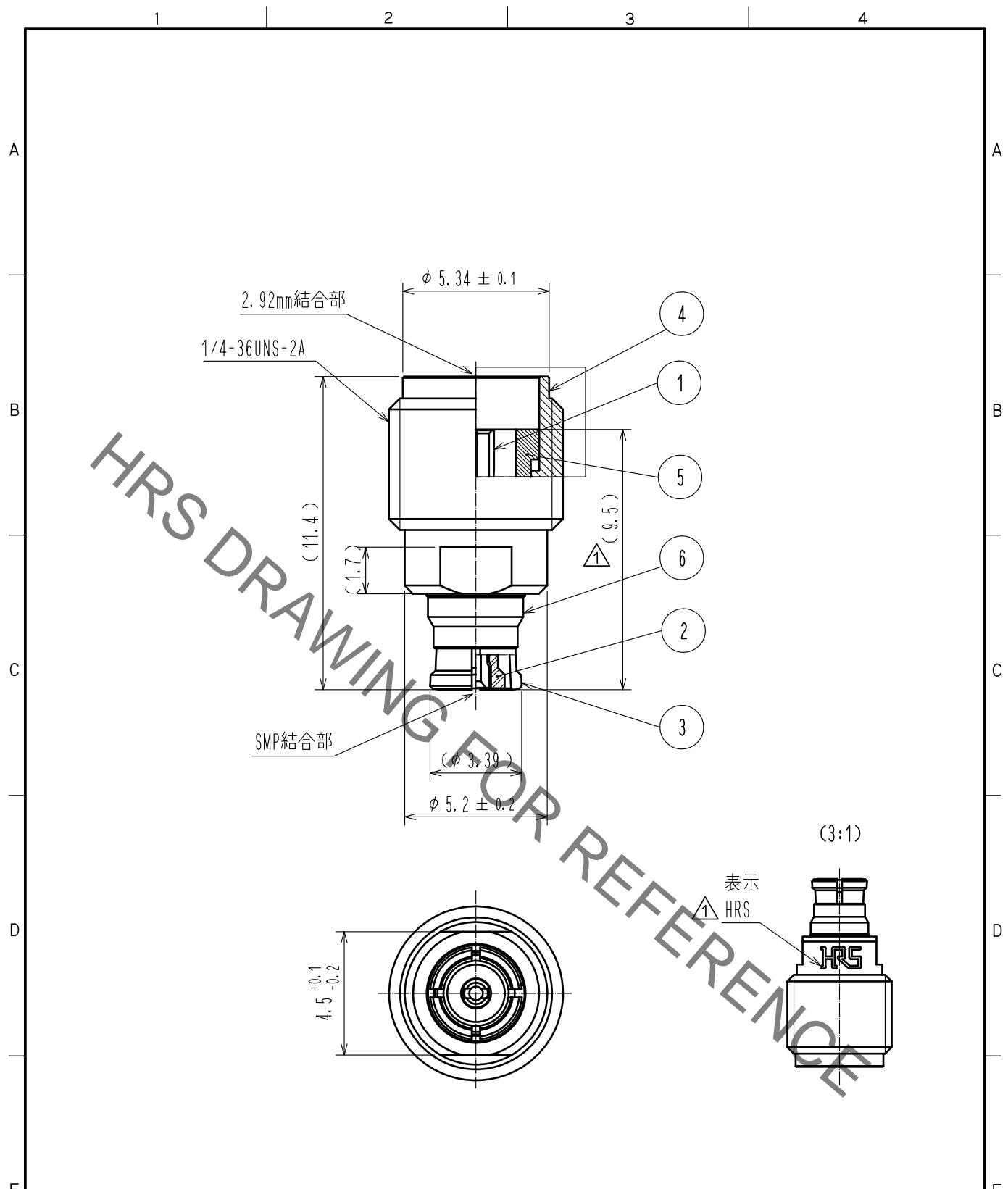


Oct.1.2019 Copyright 2019 HIROSE ELECTRIC CO., LTD. All Rights Reserved.
 In case of consideration for using Automotive equipment / device which demand high reliability, kindly contact our sales window correspondents.



3	ベリリウム銅	金めっき	6	ベリリウム銅	金めっき		
2	PTFE樹脂		5	ステンレス鋼	パッシベイト		
1	ベリリウム銅	金めっき	4	黄銅	ニッケルめっき		
NO.	MATERIAL	FINISH	REMARKS	NO.	MATERIAL	FINISH	REMARKS

UNITS mm		SCALE 5 : 1	COUNT 2	DESCRIPTION OF REVISIONS DIS-D-00002439	DESIGNED AH. MARUYAMA	CHECKED TS. NOBE	DATE 17.09.12
APPROVED : KH. IKEDA 17.01.17 CHECKED : TS. NOBE 17.01.17 DESIGNED : AH. MARUYAMA 17.01.16 DRAWN : AH. MARUYAMA 17.01.16				DRAWING NO. EDC-370187-00-00 PART NO. SMPJ-HKJ CODE NO. CL311-0013-0-00			

RoHS適合品