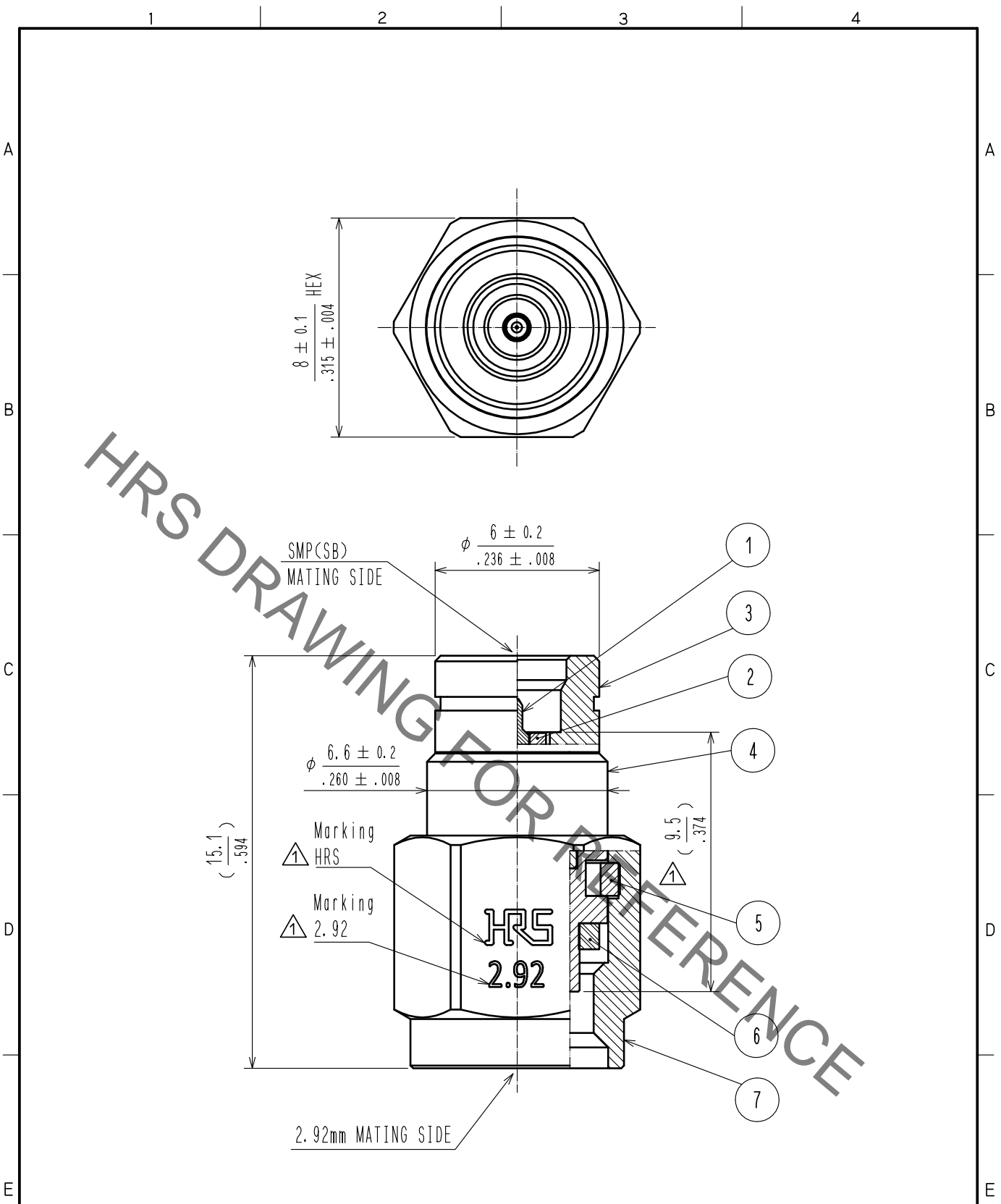


Oct.1.2019 Copyright 2019 HIROSE ELECTRIC CO., LTD. All Rights Reserved.  
 In case of consideration for using Automotive equipment / device which demand high reliability, kindly contact our sales window correspondents.



RoHS COMPLIANT

4	BRASS	GOLD PLATING						
3	STAINLESS STEEL	PASSIVATE		7	STAINLESS STEEL	PASSIVATE		
2	PTFE			6	SILICONE RUBBER			
1	PHOSPHOR BRONZE	GOLD PLATING		5	BERLLIUM COPPER	NICKEL PLATING		
NO.	MATERIAL	FINISH .	REMARKS	NO.	MATERIAL	FINISH .	REMARKS	
UNITS mm		SCALE 5 : 1	COUNT 3	DESCRIPTION OF REVISIONS DIS-D-00002439		DESIGNED AH. MARUYAMA	CHECKED TS. NOBE	DATE 17. 09. 12
<b>HRS</b> HIROSE ELECTRIC CO., LTD.	APPROVED	: KH. IKEDA		17. 01. 17	DRAWING NO.	EDC-371346-00-00		
	CHECKED	: TS. NOBE		17. 01. 17	PART NO.	SMPP(SB)-HKP		
	DESIGNED	: AH. MARUYAMA		17. 01. 16	CODE NO.	CL311-1001-0-00		
	DRAWN	: AH. MARUYAMA		17. 01. 16				