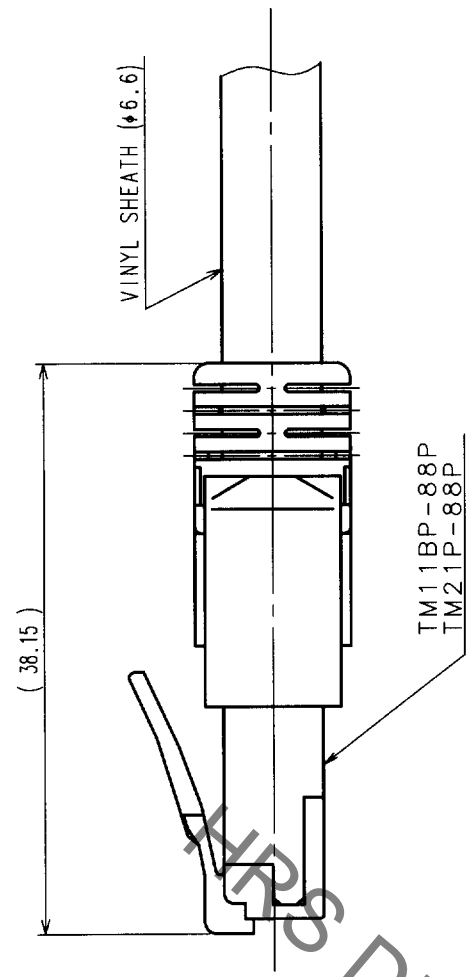


COUNT	DESCRIPTION OF REVISIONS	BY	CHKD	DATE	COUNT	DESCRIPTION OF REVISIONS	BY	CHKD	DATE
△					△				
△					△				
△					△				

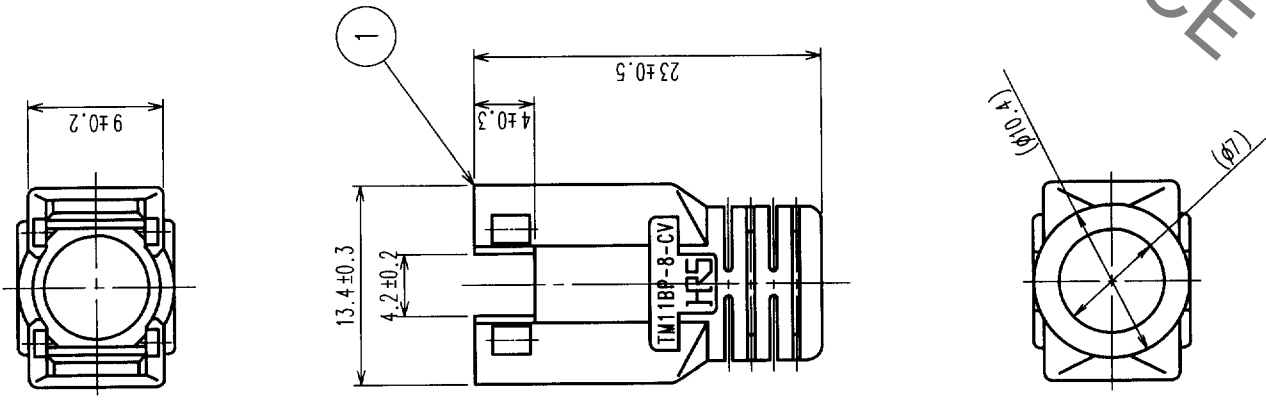
ASSEMBLED



NOTES: 1. () INDICATES THE REFERENCE DIMENSIONS.
 2. COLOR NO.S ARE SHOWN IN TABLE-1.
 3. PER BAG: 50 PIECES.

TABLE-1

PART NO.	HRS NO.	COLOR
TM11BP-8-CV (11)	CL222-2898-6-11	LIGHT BEIGE
TM11BP-8-CV (12)	CL222-2898-6-12	MEDIUM GRAY
TM11BP-8-CV (13)	CL222-2898-6-13	BLACK
TM11BP-8-CV (14)	CL222-2898-6-14	NATURAL LIGHT GRAY
TM11BP-8-CV (15)	CL222-2898-6-15	RED
TM11BP-8-CV (16)	CL222-2898-6-16	GREEN
TM11BP-8-CV (17)	CL222-2898-6-17	BLUE
TM11BP-8-CV (18)	CL222-2898-6-18	YELLOW
TM11BP-8-CV (19)	CL222-2898-6-19	ORANGE



NO.	POLYPROPYLENE	FINISH, REMARKS	NO.	MATERIAL	FINISH, REMARKS
1		2			

CODE NO. (OLD)	DRAWN	DESIGNED	CHECKED	APPROVED	RELEASED
	S. Sato	S. Sato	T. Watanabe	X. Murai	
	'00-10-06	'00-10-06	'00-10-06	'00-10-06	'00-10-06

DRAWING NO.	PART NO.
EDC3-122818-01	TM11BP-8-CV (1)

SCALE	UNITS	CODE NO.
2 : 1	mm	CL222-2898-6-1

TO
Q2