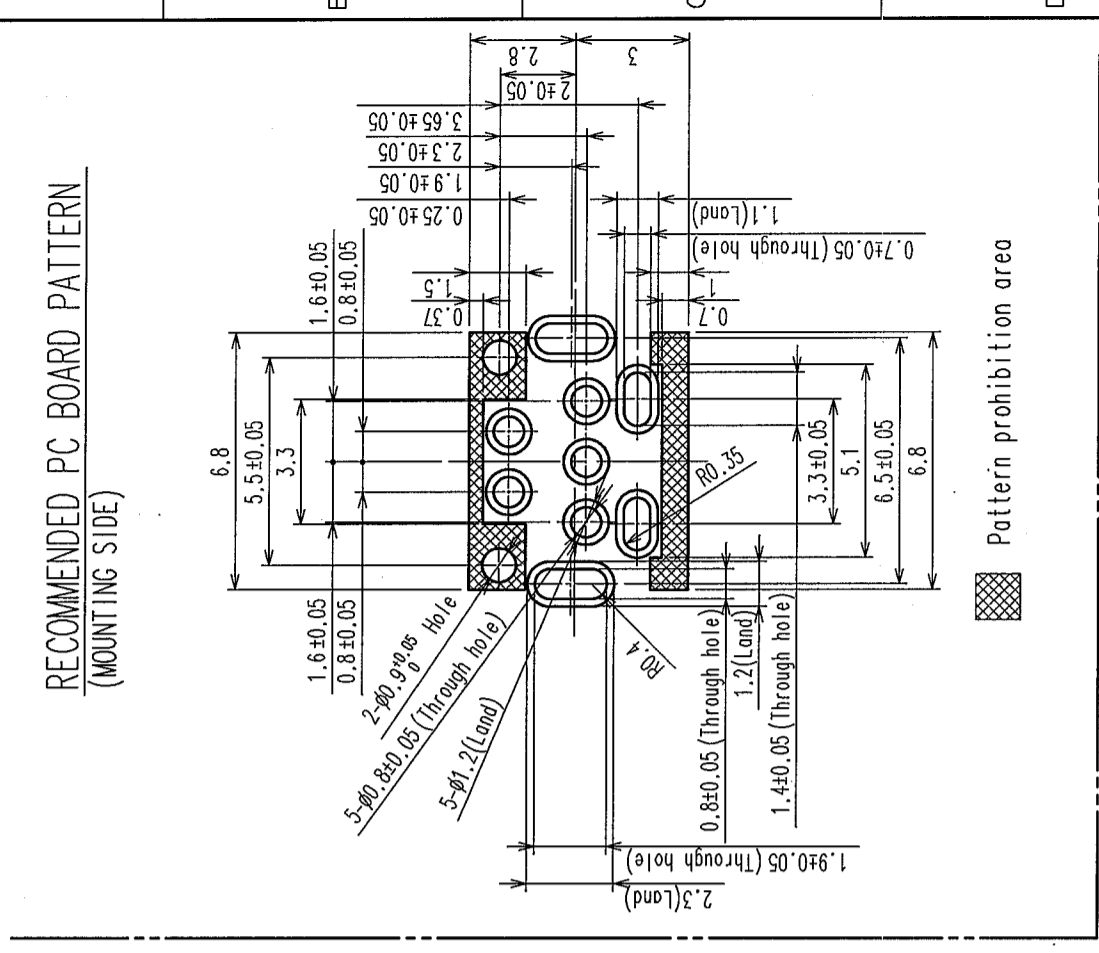


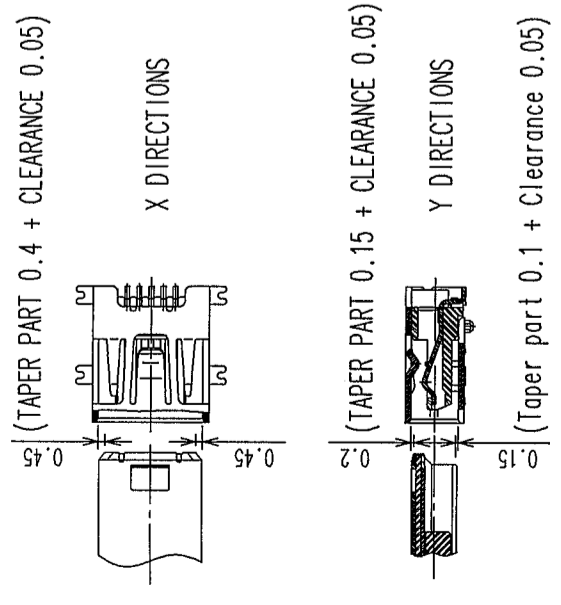
COUNT	DESCRIPTION OF REVISIONS	BY	CHKD	DATE	COUNT	DESCRIPTION OF REVISIONS	BY	CHKD	DATE

RECOMMENDED PC BOARD PATTERN
 (MOUNTING SIDE)



NOTE 1. INTERFACE DIMENSIONS CONFORM TO USB2.0 STANDARDS.

DIMENSIONS OF GAIDING (2:1)



NO.	MATERIAL	FINISH, REMARKS	NO.	MATERIAL	FINISH, REMARKS
2	STEEL	TIN PLATING	3	COPPER ALLOY	GOLD PLATING
1	LCP	BLACK UL94V-0			

CODE NO. (OLD)	DRAWN	DESIGNED	CHECKED	APPROVED	RELEASED
	J. Minna	J. Minna	M. Nakamura	[Signature]	
	05-05-07	05-05-07	05-05-07	05-05-07	

DRAWING NO.	PART NO.
EDC3-124614	UX20-MB-5P

SCALE	UNITS	CODE NO.
5 : 1	MM	CL240-0009-0