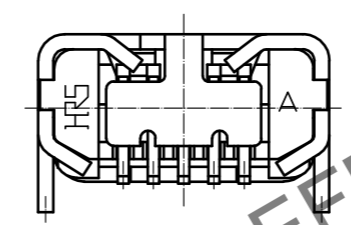
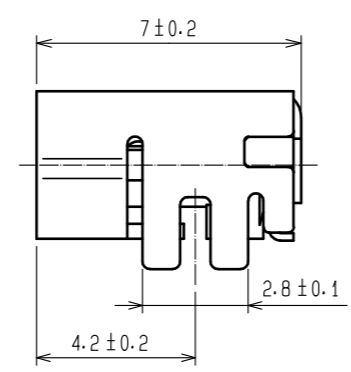
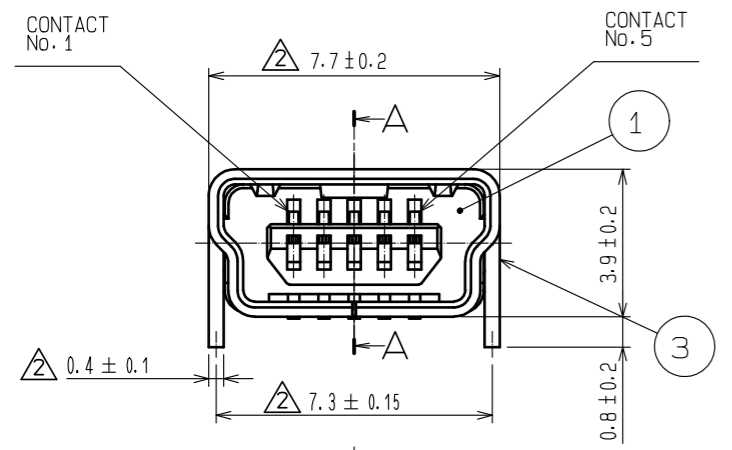
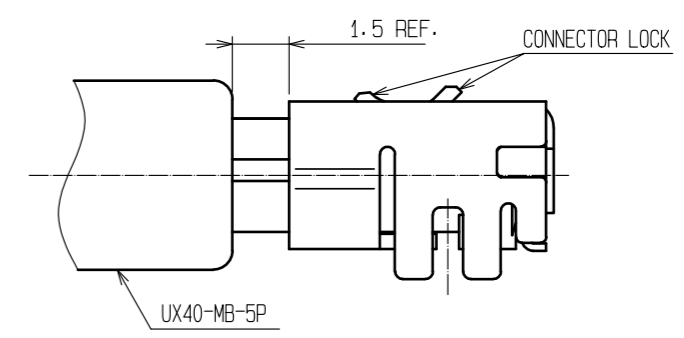
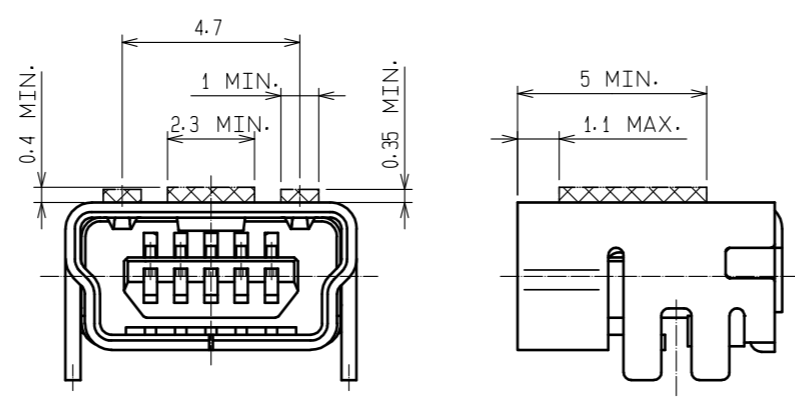
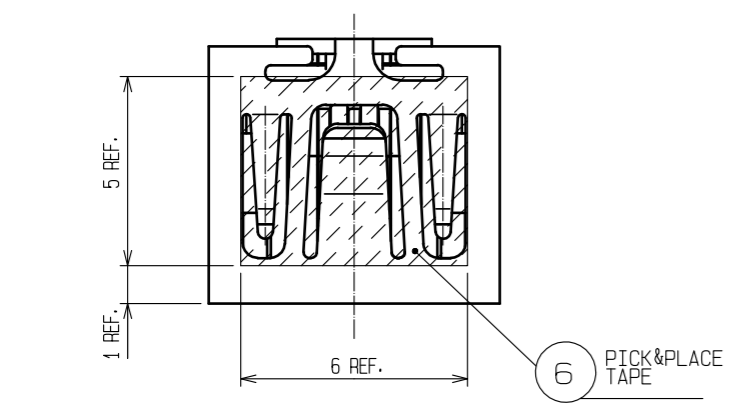


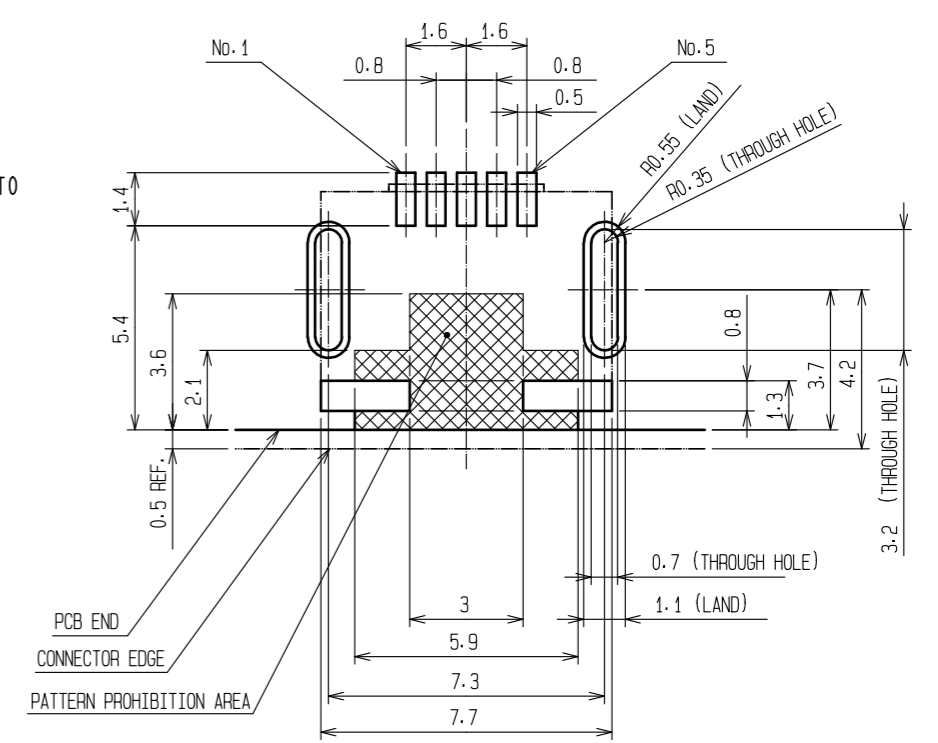
Dec.1.2023 Copyright 2023 HIROSE ELECTRIC CO., LTD. All Rights Reserved.  
In case of consideration for using Automotive equipment / device which demand high reliability, kindly contact our sales window correspondents.

REFERENCE CONNECTOR LOCK CLEARANCE AREA

MATING FIGURE

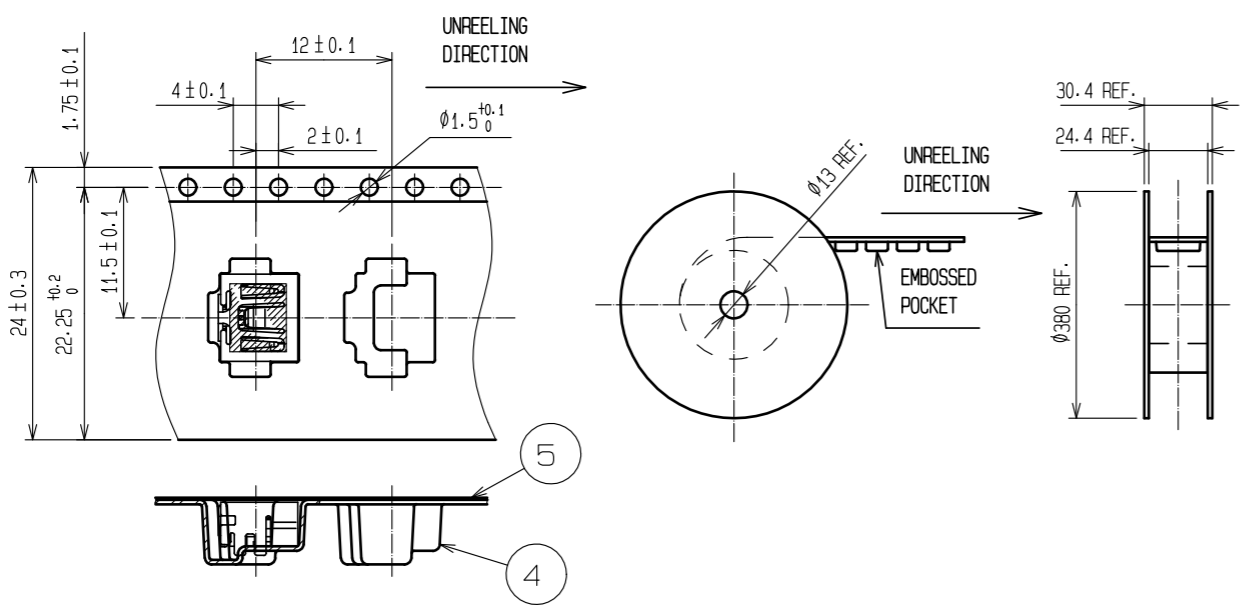


REFERENCE PCB AREA  
(CONNECTOR MOUNTING FACE)



- NOTES:
1. INTERFACE DIMENSIONS CONFORM TO USB2.0 STANDARDS.
  2. 1000 PCS PER REEL.
  3. CONTACTS AND METAL SHELL ARE CO-PLANARITY TO BE 0.1 MAX.

DRAWING FOR PACKING(FREE)



2	COPPER ALLOY	CONTACT AREA : GOLD 0.75 μm MIN. LEED AREA : GOLD 0.03 μm MIN. UNDER PLATING : NICKEL 1.25 μm MIN.	6	PA	(PICK&PLACE TAPE)
1	LCP	UL94V-0 COLOR : BLACK	5	PE	(TOP COVER TAPE)
			4	PS	(EMBOSSSED CARRIER TAPE)
			3	COPPER ALLOY	SURFACE PLATING : TIN 1 μm MIN. UNDER PLATING : NICKEL 1 μm MIN.
NO.	MATERIAL	FINISH . REMARKS	NO.	MATERIAL	FINISH . REMARKS
UNITS mm		SCALE 5 : 1	COUNT 3	DESCRIPTION OF REVISIONS DIS-E-00000439	DESIGNED P. EKSOURIYA
					CHECKED NM. NISHIMATSU
					DATE 16. 01. 16
APPROVED : NF. MIYAZAKI 09. 02. 25			DRAWING NO. EDC3-126060-01		
CHECKED : NF. MIYAZAKI 09. 02. 25			PART NO. UX60SC-MB-5S8(80)		
DESIGNED : HS. KIKUCHI 09. 02. 25			CODE NO. CL240-0020-3-80		
DRAWN : HS. KIKUCHI 09. 02. 25					