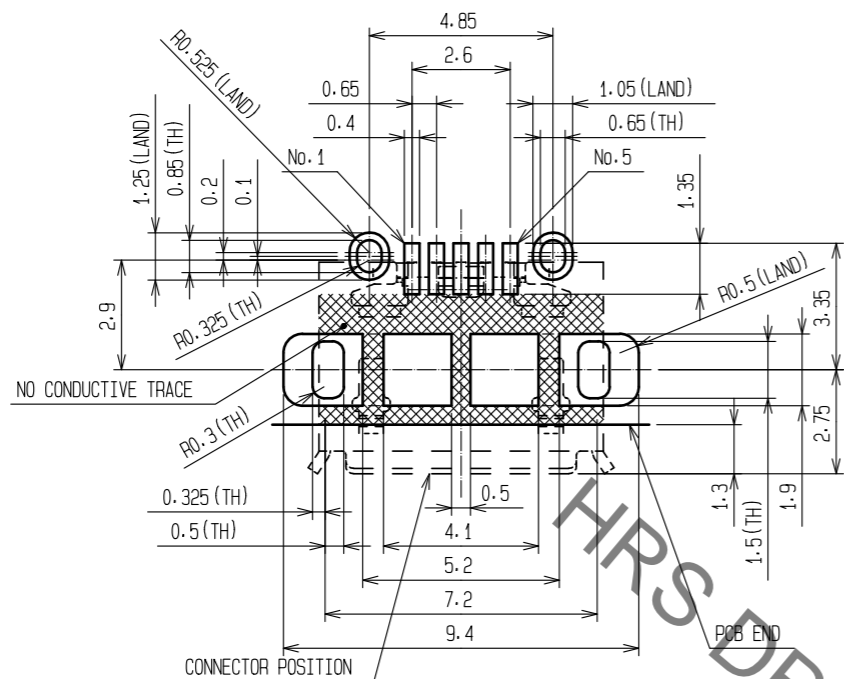


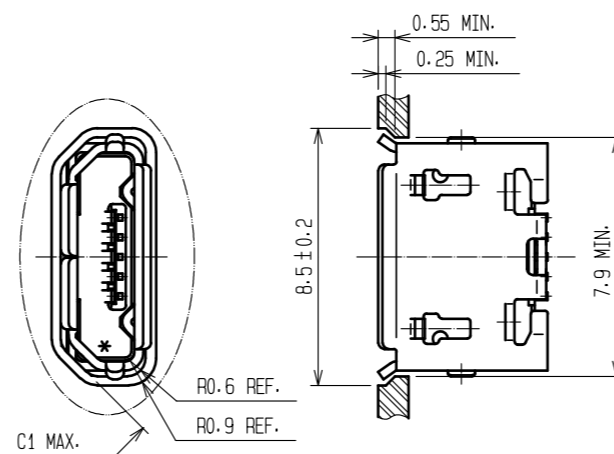
May.1.2021 Copyright 2021 HIROSE ELECTRIC CO., LTD. All Rights Reserved.  
In case of consideration for using Automotive equipment / device which demand high reliability, kindly contact our sales window correspondents.

RECOMMENDED PC BOARD PATTERN



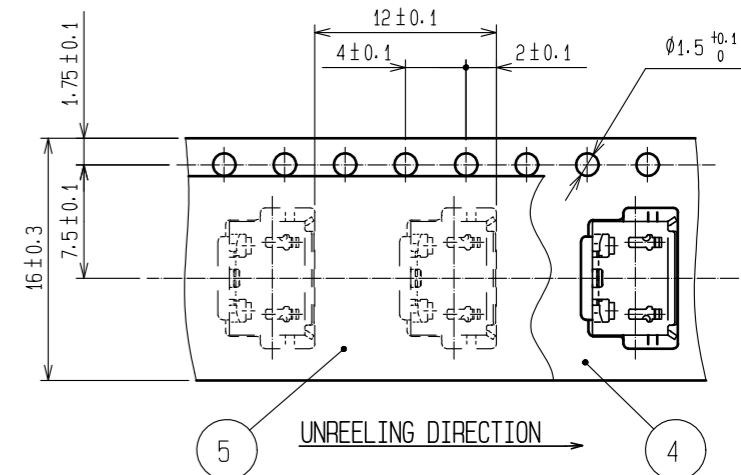
GENERAL TOLERANCE IS  $\pm 0.05\text{mm}$

RECOMMENDED PANEL CUTOUT (4:1)

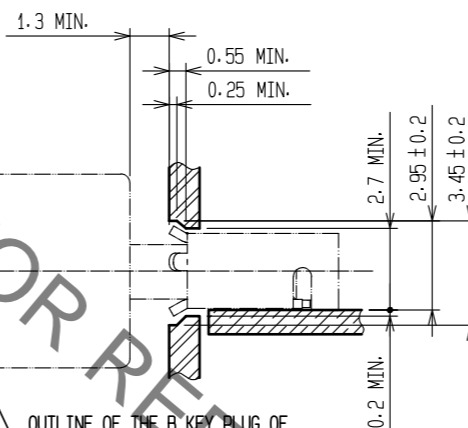
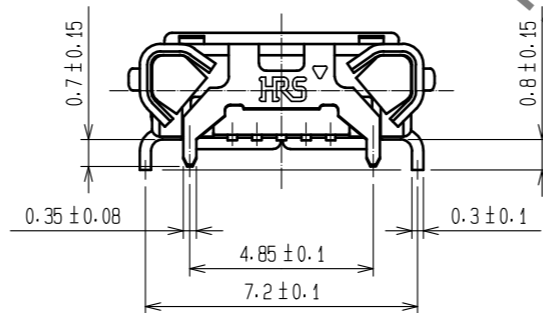
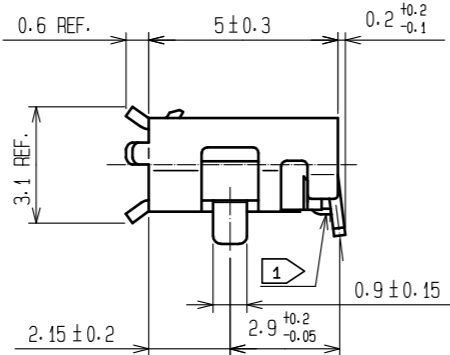
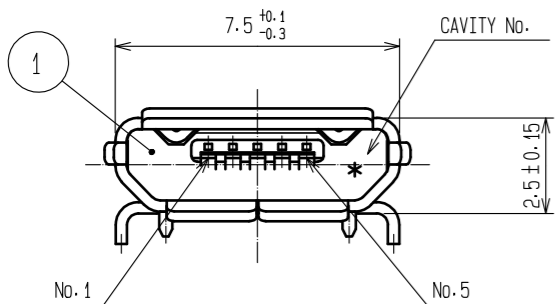
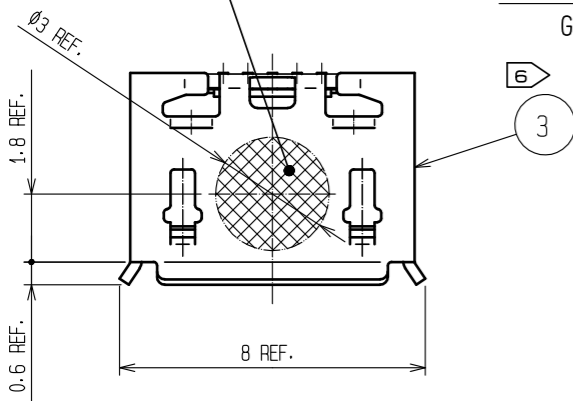


MATED WITH CORRESPONDING PLUG (4:1)

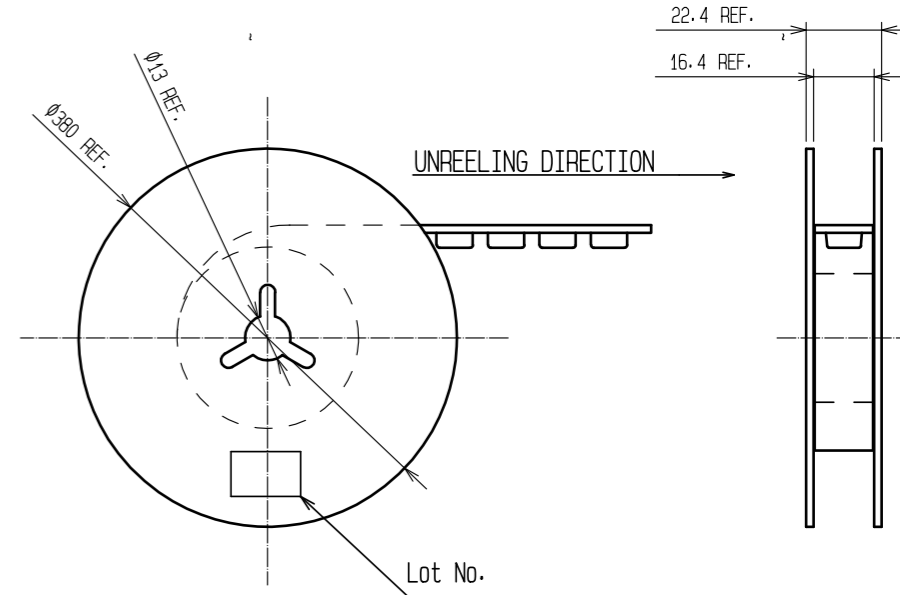
DRAWING FOR PACKING (FREE)



PICK & PLACE AREA



OUTLINE OF THE B KEY PLUG OF HIROSE'S MICRO USB "ZX SERIES"



- NOTES.
- 1 CO-PLANARITY IS WITHIN 0.08mm MAX.
  - 2 PLATING  
CONTACT AREA :GOLD 0.75 $\mu\text{m}$  MIN.  
LEAD AREA :GOLD 0.05 $\mu\text{m}$  MIN.  
UNDER PLATING:NICKEL 2 $\mu\text{m}$  MIN.
  - 3 PER REEL : 2000 pcs.
  4. INTERFACE DIMENSIONS TO USB2.0 SPECIFICATION.
  5. AS FOR PART No.3, THE PERFORMANCE REMAINS GOOD EVEN IF THERE IS A RUBBING WOUND BY THE ASSEMBLY PROCESS.
  6. AS FOR PART No.3, THERE IS NO PROBLEM ON THE QUALITY THOUGH THERE MIGHT BE A DIFFERENCE IN THE COLOR DEPENDING ON THE PLATING PROCESSING LOT.

2	COPPER ALLOY		5	PE			
1	LCP	BLACK UL94V-0	4	PS			
			3	STAINLESS STEEL	TIN PLATING 1 $\mu\text{m}$ MIN. LUBRICANT		
NO.	MATERIAL	FINISH . REMARKS	NO.	MATERIAL	FINISH . REMARKS		
UNITS		SCALE	COUNT	DESCRIPTION OF REVISIONS	DESIGNED	CHECKED	DATE
mm		5 : 1					
<b>HRS</b> HIROSE ELECTRIC CO., LTD.		APPROVED : NM. NISHIMATSU	15.10.27	DRAWING NO. EDC-126367-30-00			
		CHECKED : KN. ICHIKAWA	15.10.27	PART NO. ZX62D-B-5P8(30)			
		DESIGNED : TS. ITO	15.10.27	CODE NO. CL242-0034-0-30			
		DRAWN : AK. AKIYAMA	15.10.27				