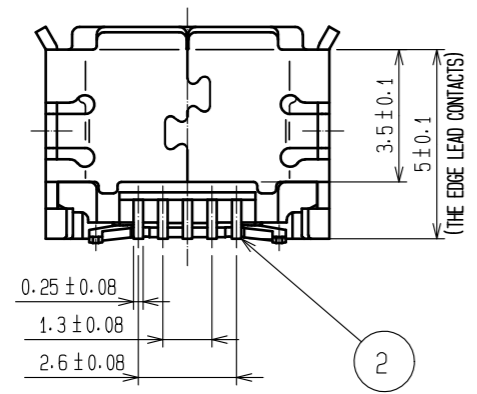
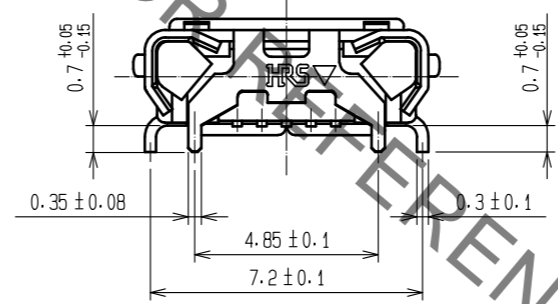
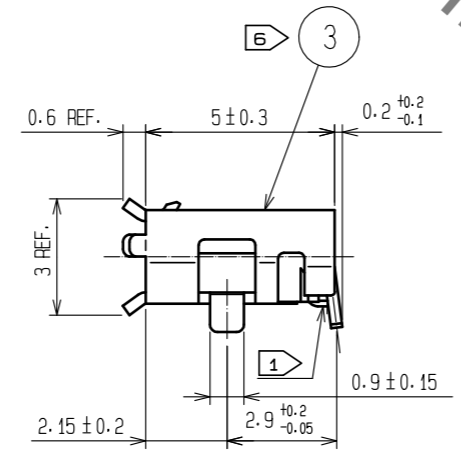
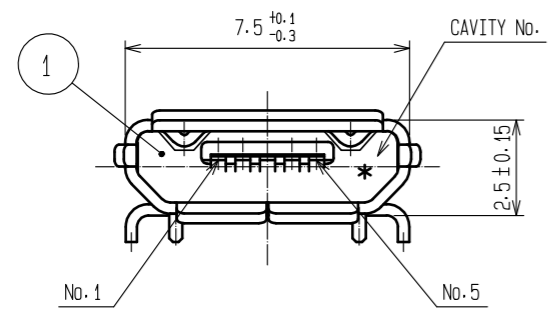
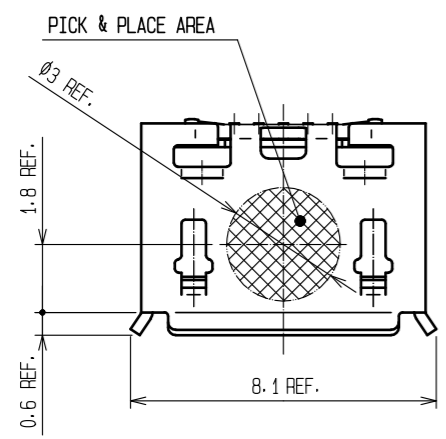
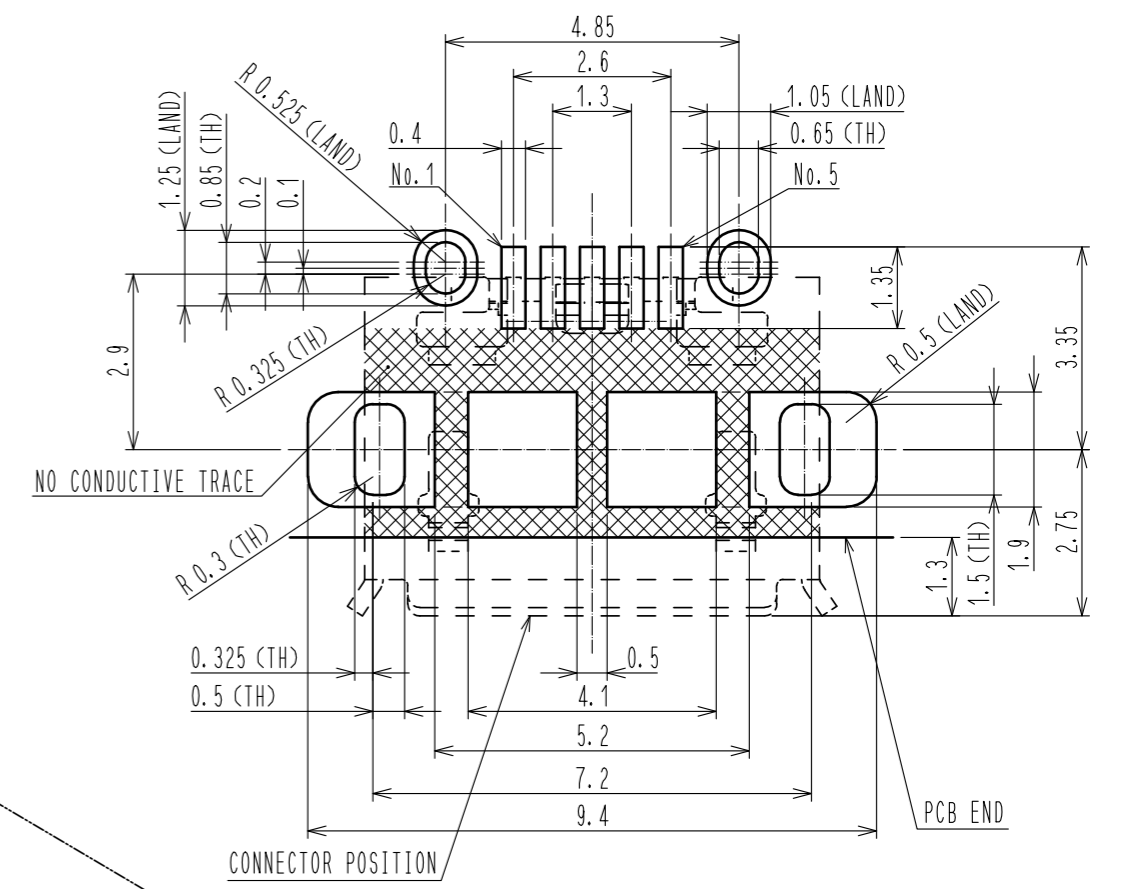


Jan.1.2021 Copyright 2021 HIROSE ELECTRIC CO., LTD. All Rights Reserved.  
 In case of consideration for using Automotive equipment / device which demand high reliability, kindly contact our sales window correspondents.



PCB BOARD PATTERN FOR REFERENCE(FREE)



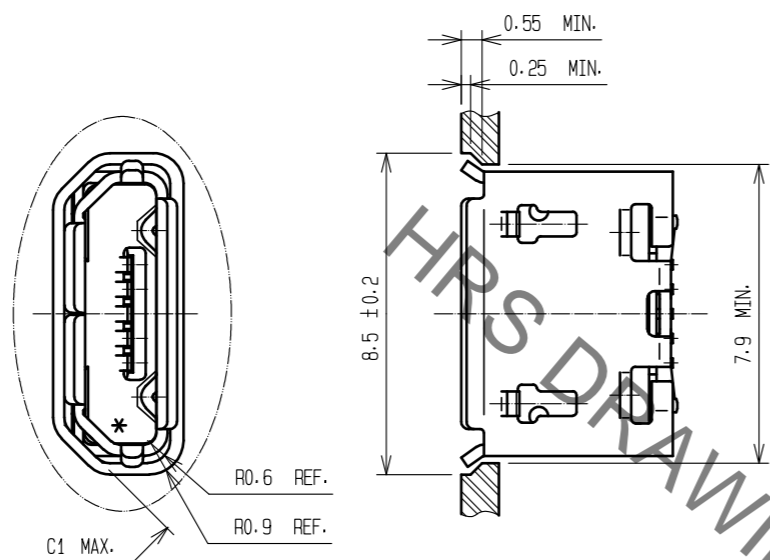
GENERAL TOLERANCE IS ±0.05mm

- NOTES.
- ① CO-PLANARITY IS WITHIN 0.08mm MAX.
  - ② PLATING  
 CONTACT AREA :GOLD 0.05µm MIN OVER PALLADIUM NICKEL 0.75µm MIN.  
 LEAD AREA :GOLD 0.05µm MIN.  
 UNDER PLATING:NICKEL 2µm MIN.
  - ③ PER REEL : 2000 pcs.
  - 4. INTERFACE DIMENSIONS TO USB2.0 SPECIFICATION.
  - 5. AS FOR PART No.3, THE PERFORMANCE REMAINS GOOD EVEN IF THERE IS A RUBBING WOUND BY THE ASSEMBLY PROCESS.
  - ⑥ AS FOR PART No.3, THERE IS NO PROBLEM ON THE QUALITY THOUGH THERE MIGHT BE A DIFFERENCE IN THE COLOR DEPENDING ON THE PLATING PROCESSING LOT.

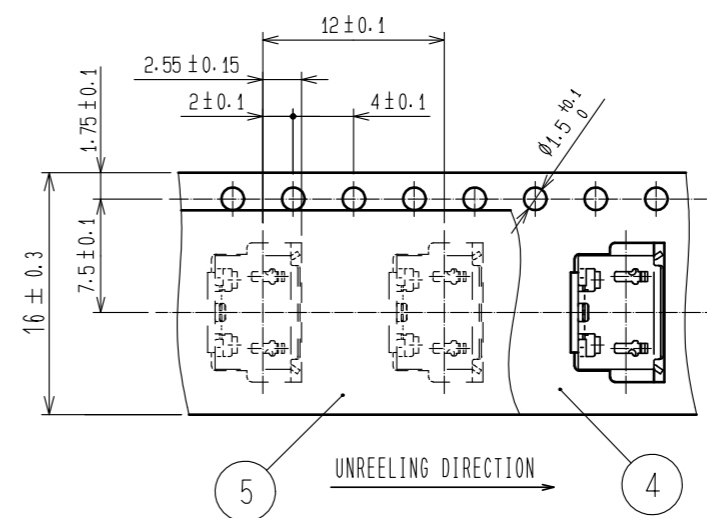
2	COPPER ALLOY	②	5	PE	
1	LCP	BLACK UL94V-0	4	PS	
			3	STAINLESS STEEL	OVER PLATING : TIN 3.8µm MIN. UNDER PLATING : NICKEL 1.25µm MIN. LUBRICANT
NO.	MATERIAL	FINISH . REMARKS	NO.	MATERIAL	FINISH . REMARKS
UNITS	mm	SCALE	5 : 1	COUNT	△
		DESCRIPTION OF REVISIONS		DESIGNED	CHECKED
		DATE			
APPROVED : NM. NISHIMATSU		15.10.27		DRAWING NO. EDC-126863-30-00	
CHECKED : KN. ICHIKAWA		15.10.27		PART NO. ZX62D-B-5PA8(30)	
DESIGNED : TS. ITO		15.10.27		CODE NO. CL242-0056-3-30	
DRAWN : AK. AKIYAMA		15.10.27		1/2	

Jan.1.2021 Copyright 2021 HIROSE ELECTRIC CO., LTD. All Rights Reserved.  
 In case of consideration for using Automotive equipment / device which demand high reliability, kindly contact our sales window correspondents.

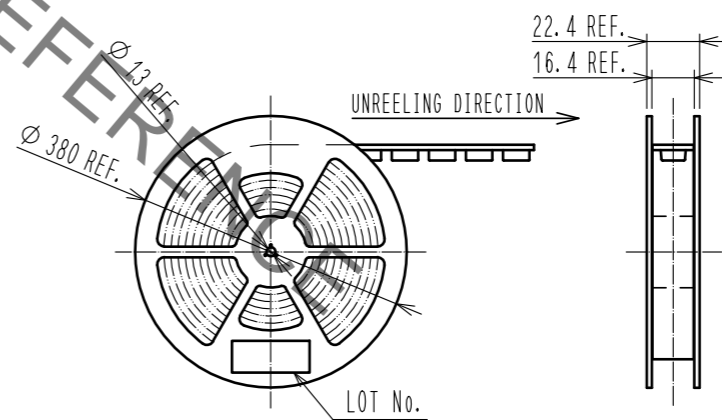
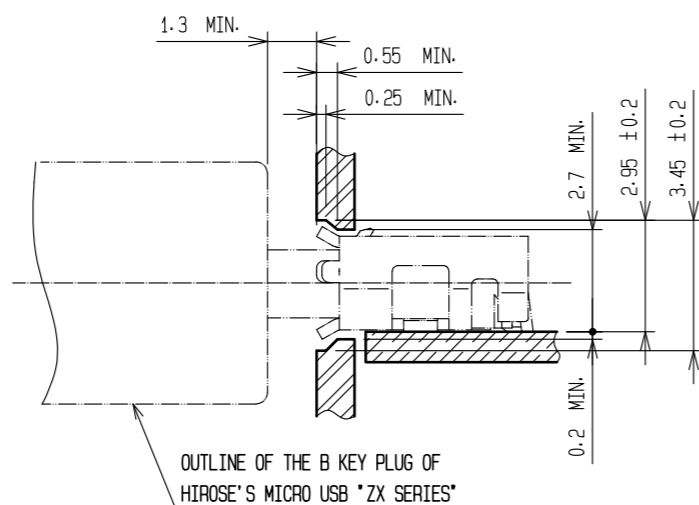
PANEL CUTOUT FOR REFERENCE



③ DRAWING FOR PACKING(FREE)



MATED WITH CORRESPONDING PLUG



<b>HRS</b>	DRAWING NO.	EDC-126863-30-00
	PART NO.	ZX62D-B-5PA8(30)
	CODE NO.	CL242-0056-3-30
		2/2