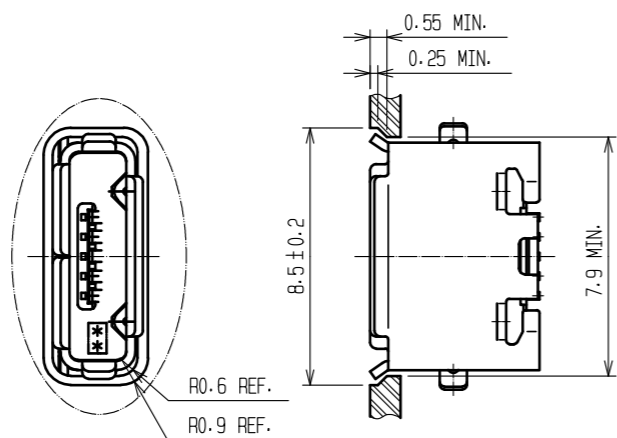
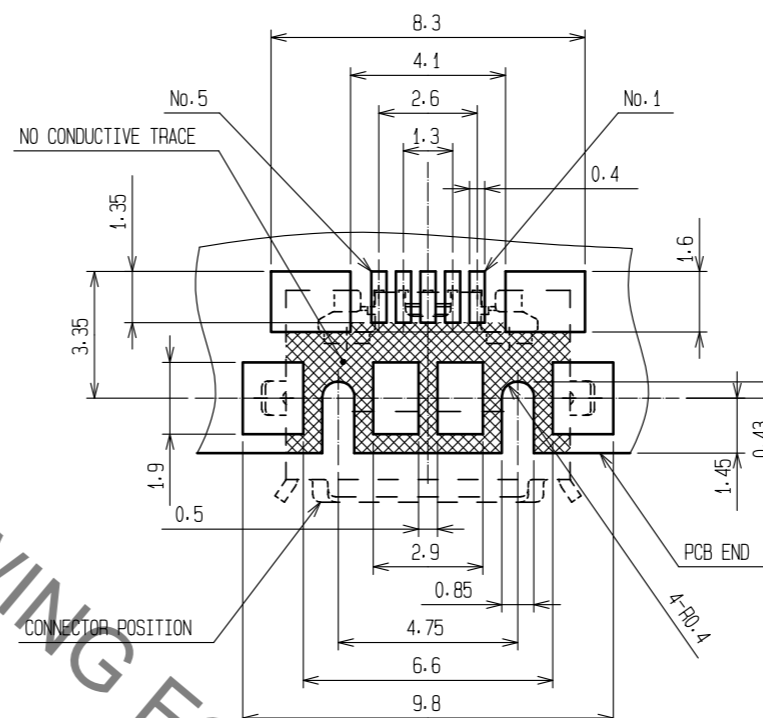


Sep.1.2021 Copyright 2021 HIROSE ELECTRIC CO., LTD. All Rights Reserved.  
In case of consideration for using Automotive equipment / device which demand high reliability, kindly contact our sales window correspondents.

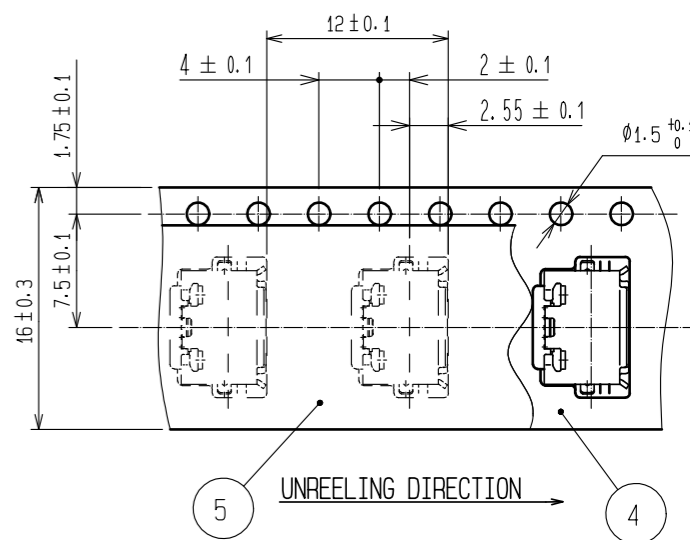
RECOMMENDED PANEL CUTOUT(4:1)



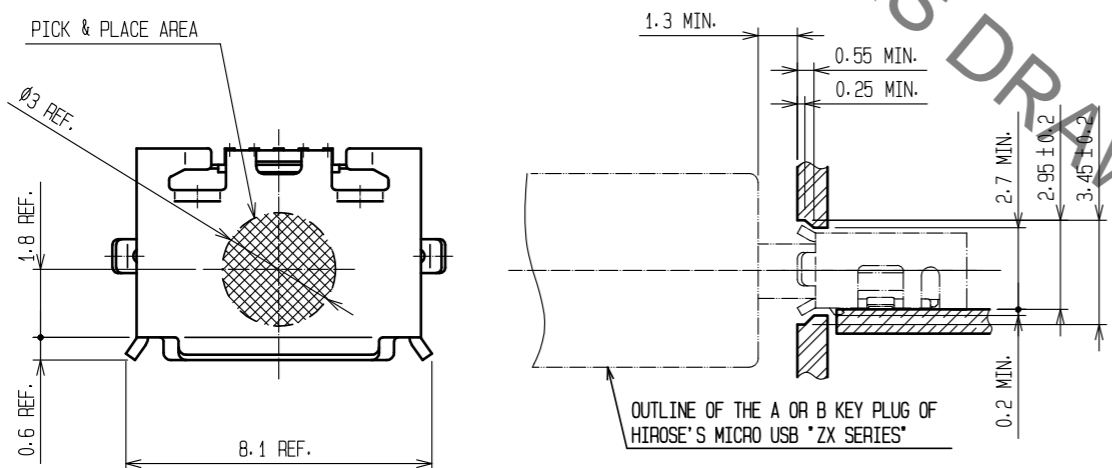
RECOMMENDED PC BOARD PATTERN



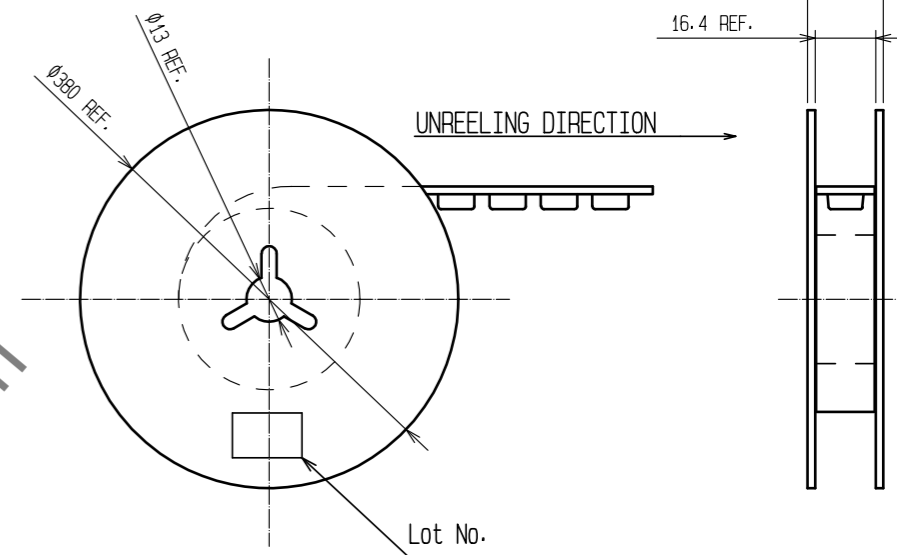
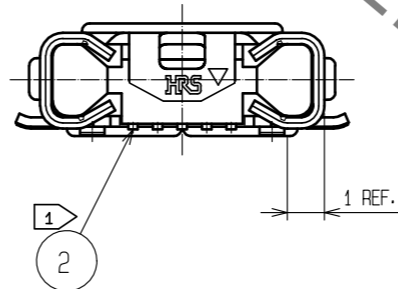
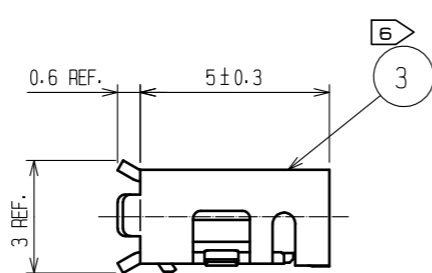
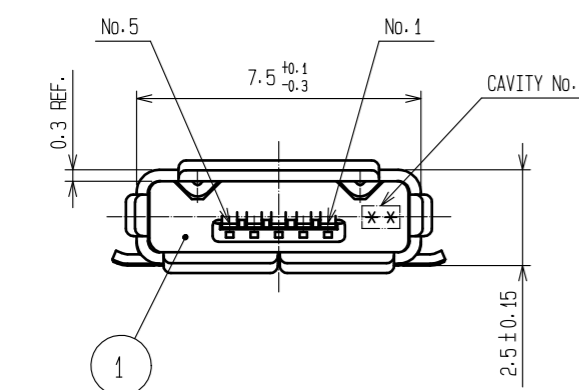
3 DRAWING FOR PACKING(FREE)



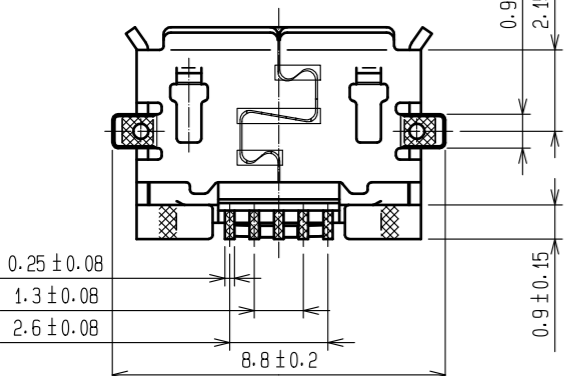
MATED WITH CORRESPONDING PLUG(4:1)



GENERAL TOLERANCE IS ±0.05mm



- NOTES. 1 CO-PLANARITY IS WITHIN 0.08mm MAX.  
 2 PLATING  
 CONTACT AREA :GOLD 0.75µm MIN.  
 LEAD AREA :GOLD 0.05µm MIN.  
 UNDER PLATING:NICKEL 2µm MIN.  
 3 PER REEL : 2000 pcs.  
 4. INTERFACE DIMENSIONS CONFORMS TO USB2.0 SPECIFICATION.  
 5. AS FOR PART No.3. THE PERFORMANCE REMAINS GOOD EVEN IF THERE IS A RUBBING WOUND BY THE ASSEMBLY PROCESS.  
 6 AS FOR PART No.3. THERE IS NO PROBLEM ON THE QUALITY THOUGH THERE MIGHT BE A DIFFERENCE IN THE COLOR DEPENDING ON THE PLATING PROCESSING LOT.



2	COPPER ALLOY	2	5	PE				
1	LCP	GRAY UL94V-0	4	PS				
			3	STAINLESS STEEL TIN PLATING 1µm Min. LUBRICANT				
NO.	MATERIAL	FINISH . REMARKS	NO.	MATERIAL	FINISH . REMARKS			
UNITS	mm	SCALE	5 : 1	COUNT	DESCRIPTION OF REVISIONS	DESIGNED	CHECKED	DATE
HRS HIROSE ELECTRIC CO., LTD.		APPROVED	:NM. NISHIMATSU	15.10.27	DRAWING NO.	EDC-126373-30-00		
		CHECKED	:KN. ICHIKAWA	15.10.27	PART NO.	ZX62R-AB-5P(30)		
		DESIGNED	:TS. ITO	15.10.27	CODE NO.	CL242-0035-3-30		
		DRAWN	:AK. AKIYAMA	15.10.27		1/1		