

Jul.1.2021 Copyright 2021 HIROSE ELECTRIC CO., LTD. All Rights Reserved.
 In case of consideration for using Automotive equipment / device which demand high reliability, kindly contact our sales window correspondents.

APPLICABLE STANDARD		USB2.0 SPECIFICATION AND MICRO-USB CABLE AND CONNECTORS SPECIFICATION.				
RATING	OPERATING TEMPERATURE RANGE	-30°C TO +85°C	STORAGE TEMPERATURE RANGE	-30°C TO +85°C		
	VOLTAGE	AC 30 V	OPERATING HUMIDITY RANGE	— % TO — %		
	CURRENT ① SIGNAL ONLY ② POWER APPLY	① 1 A/pin ② 1.8 A/pin (PIN No.1,5) 0.5 A/pin (PIN No.2 ~ 4)	APPLICABLE CABLE	—		
SPECIFICATIONS						
ITEM		TEST METHOD		REQUIREMENTS	QT	AT
CONSTRUCTION						
GENERAL EXAMINATION		VISUALLY AND BY MEASURING INSTRUMENT.		ACCORDING TO DRAWING.	X	X
MARKING		CONFIRMED VISUALLY.			X	X
ELECTRIC CHARACTERISTICS						
CONTACT RESISTANCE		100 mA (DC OR 1000 Hz).		30 mΩ MAX.	X	X
INSULATION RESISTANCE		500 V DC.		100 MΩ MIN.	X	X
VOLTAGE PROOF		100 V AC FOR 1 min.		NO FLASHOVER OR BREAKDOWN.	X	X
CAPASITANCE		MEASURE ADJACENT TWO CONTACTS AT 1000±10Hz AC VOLTAGE.		2 pF MAX	X	—
MECHANICAL CHARACTERISTICS						
INSERTION AND WITHDRAWAL FORCES		A MAXIMUM RATE OF 12.5mm/min. MEASURED BY APPLICABLE CONNECTOR.		INSERTION FORCE 35 N MAX. WITHDRAWAL FORCE 8 N MIN.	X	—
MECHANICAL OPERATION		10000 TIMES INSERTIONS AND EXTRACTIONS. MATING SPEED - MECHANICALLY OPERATED : 500 CYCLES / h - MANUALLY OPERATED : 200 CYCLES / h		① CONTACT RESISTANCE : NO INCREASE OF MORE THAN 10 mΩ FROM INITIAL VALUE. ② INSERTION FORCE 35 N MAX. WITHDRAWAL FORCE 8 N MIN. ③ NO DAMAGE, CRACK AND LOOSENESS, OF PARTS.	X	—
VIBRATION		FREQUENCY 10 TO 55 Hz, SINGLE AMPLITUDE 0.75 mm, AT 2 h, FOR 3 AXIAL DIRECTIONS, TOTAL 6 h.		① NO ELECTRICAL DISCONTINUITY OF 1 μs. ② NO DAMAGE, CRACK AND LOOSENESS, OF PARTS.	X	—
RANDOM VIBRATION		FREQUENCY 50 TO 2000 Hz, AT 15 min, FOR 3 AXIAL DIRECTIONS.			X	—
SHOCK		490m/s ² DIRECTIONS OF PULSE 11 ms AT 3 TIMES FOR 6 DIRECTIONS, TOTAL 18 TIMES.			X	—
ENVIRONMENTAL CHARACTERISTICS						
THERMAL SHOCK		TEMP -55 → 15 TO 35 → 85 → 15 TO 35 °C TIME 30 → 2 TO 3 → 30 → 2 TO 3 min UNDER 10 CYCLES. (MATING APPLICABLE CONNECTOR)		① CONTACT RESISTANCE : 70 mΩ MAX. ② INSULATION RESISTANCE : 10 MΩ MIN. ③ NO DAMAGE, CRACK AND LOOSENESS, OF PARTS.	X	—
HUMIDITY LIFE		TEMPERATURE -10~65 °C, HUMIDITY 90 TO 98 %, UNDER 7 CYCLES (168 h) (MATING APPLICABLE CONNECTOR)		NO DAMAGE, CRACK AND LOOSENESS, OF PARTS.	X	—
	COUNT	DESCRIPTION OF REVISIONS	DESIGNED	CHECKED	DATE	
△						
REMARK				APPROVED	NM. NISHIMATSU	15. 10. 27
HIROSE will not guarantee the performance on these specifications in case this product will be mated with the others which is not HIROSE's. Unless otherwise specified, refer to USB2.0, EIA364 or IEC 60512.				CHECKED	KN. ICHIKAWA	15. 10. 27
				DESIGNED	TS. ITO	15. 10. 27
				DRAWN	AK. AKIYAMA	15. 10. 27
				Note QT:Qualification Test AT:Assurance Test X:Applicable Test		DRAWING NO.
HRS	SPECIFICATION SHEET		PART NO.	ZX80-B-5P (30)		
	HIROSE ELECTRIC CO., LTD.		CODE NO.	CL242-0051-0-30	△	1/2

Jul.1.2021 Copyright 2021 HIROSE ELECTRIC CO., LTD. All Rights Reserved.
 In case of consideration for using Automotive equipment / device which demand high reliability, kindly contact our sales window correspondents.

SPECIFICATIONS

ITEM	TEST METHOD	REQUIREMENTS	QT	AT
DRY HEAT	EXPOSED AT $+85\pm 2$ °C, 96 h. (MATING APPLICABLE CONNECTOR)	NO DAMAGE, CRACK AND LOOSENESS, OF PARTS.	X	—
COLD	EXPOSED AT -40 ± 2 °C, 96 h. (MATING APPLICABLE CONNECTOR)	NO DAMAGE, CRACK AND LOOSENESS, OF PARTS.	X	—
CORROSION SALT MIST	EXPOSED IN 5 % SALT WATER, 35 °C FOR 48h. (LEFT UNDER UNMATED CONDITION.)	NO HEAVY CORROSION.	X	—
SOLDERABILITY	SOLDERING POINT IMMERSSED IN SOLDER BATH OF 255 ± 5 °C, 5sec.(USING TYPE R FLUX)	SOLDER SHALL COVER MINIMUM OF 95% OF THE SURFACE BEING IMMERSSED.	X	—
RESISTANCE TO SOLDERING HEAT	A PROFILE IS SHOWN IN FIG-1, UNDER 2 CYCLES	NO DEFORMATION OR SIGNIFICANT LOOSENESS OF CONTACTS.	X	—

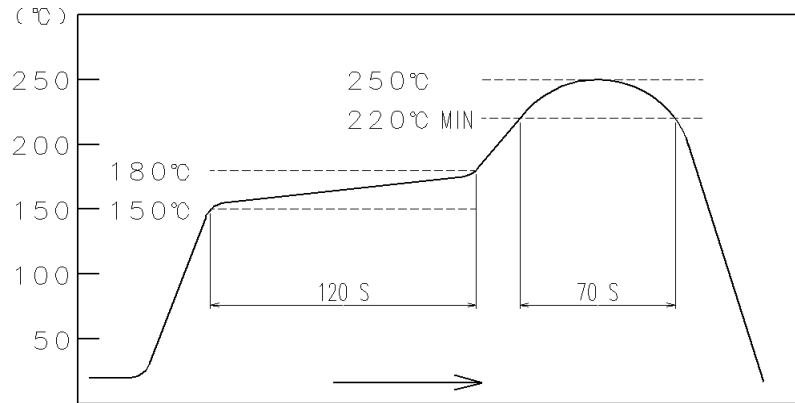


FIG - 1 RESISTANCE TO SOLDERING HEAT
 (TEMPERATURE AT TOP SURFACE OF CONNECTOR)

■ RECOMMENDED PROFILE REFERS TO FIG - 2.
 (TEMPERATURE AT SMT LEADS)

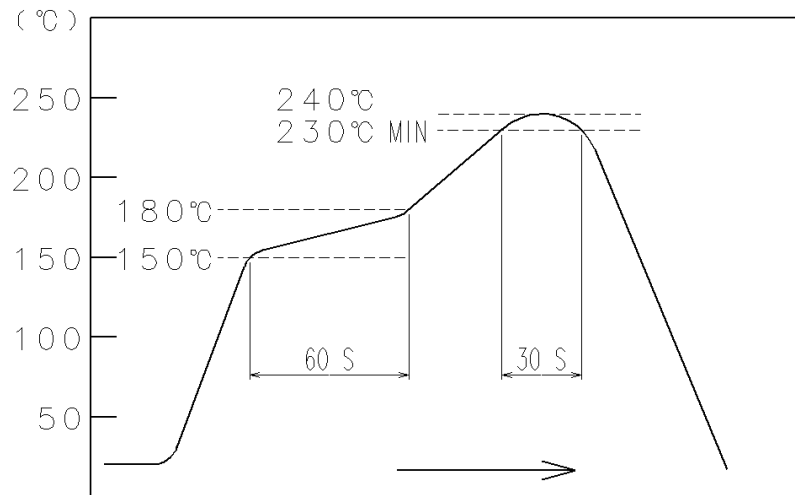


FIG - 2 RECOMMENDED REFLOW PROFILE TEMPERATURE

Note QT:Qualification Test AT:Assurance Test X:Applicable Test		DRAWING NO.	ELC-126723-30-00	
HRS	SPECIFICATION SHEET	PART NO.	ZX80-B-5P (30)	
	HIROSE ELECTRIC CO., LTD.	CODE NO	CL242-0051-0-30	△ 2/2