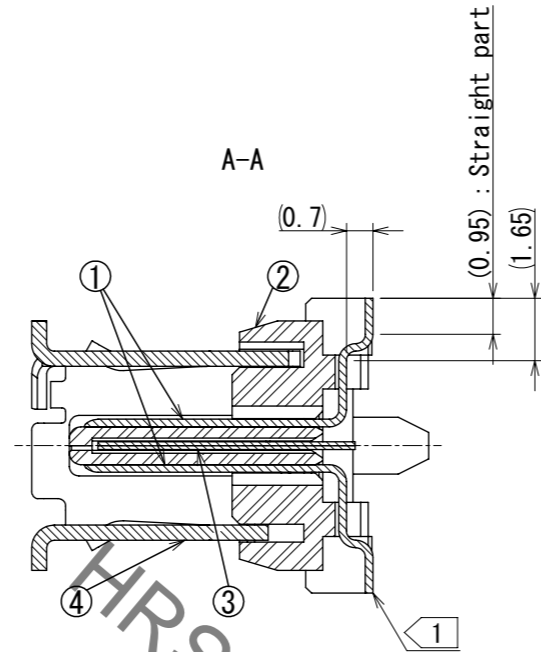
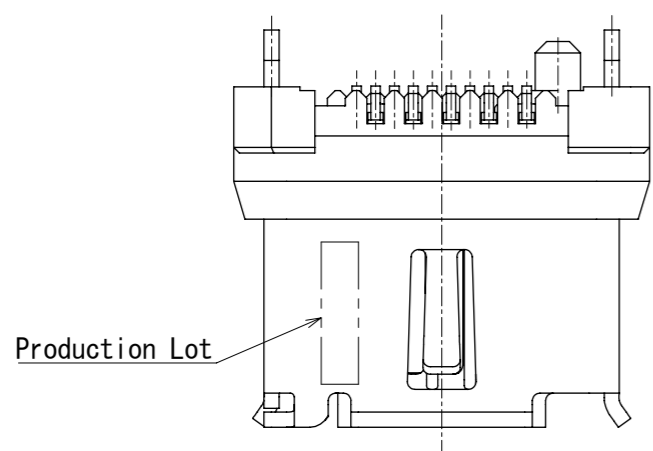
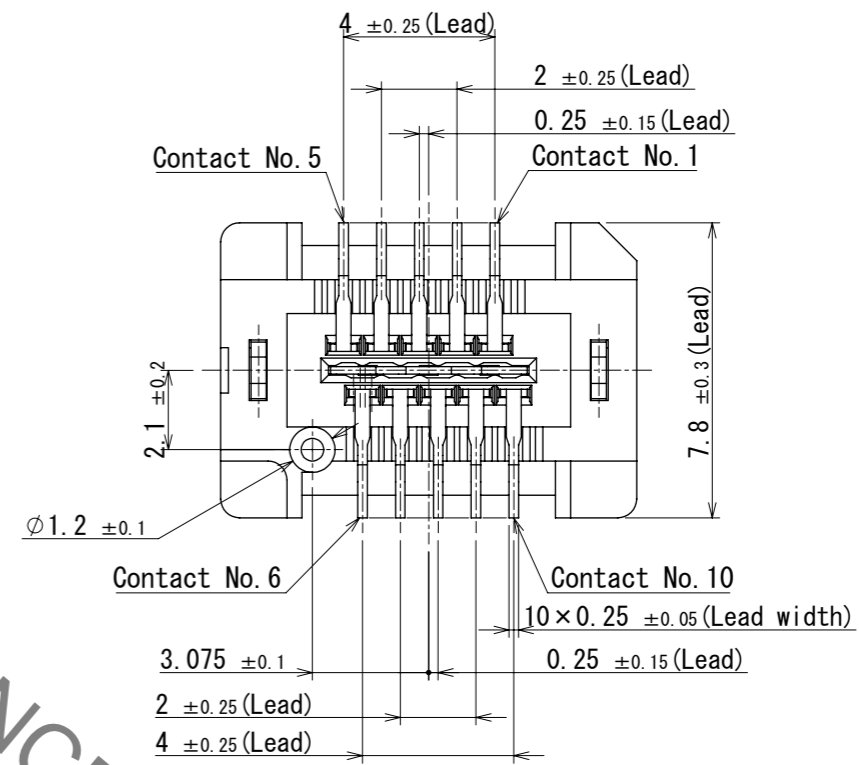
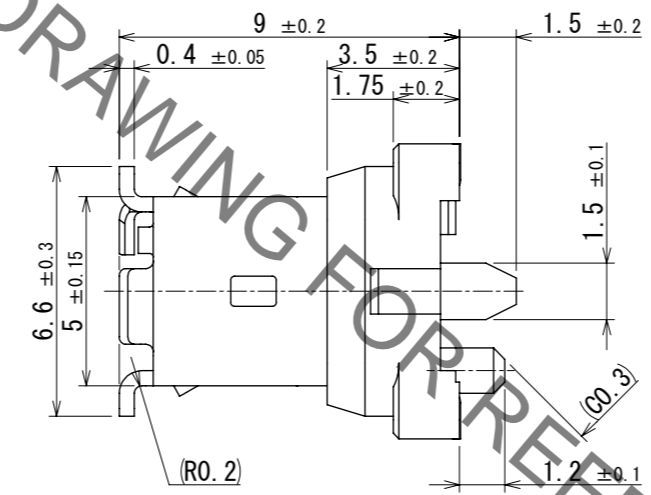
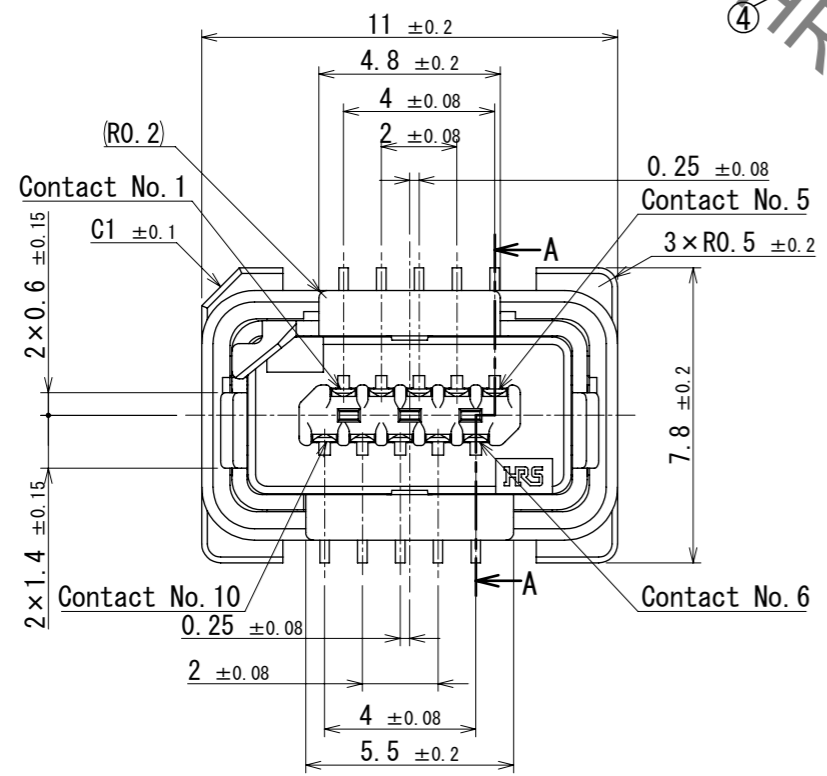


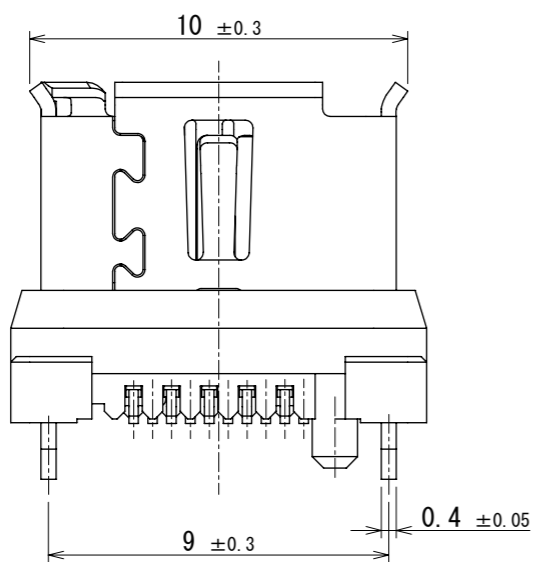
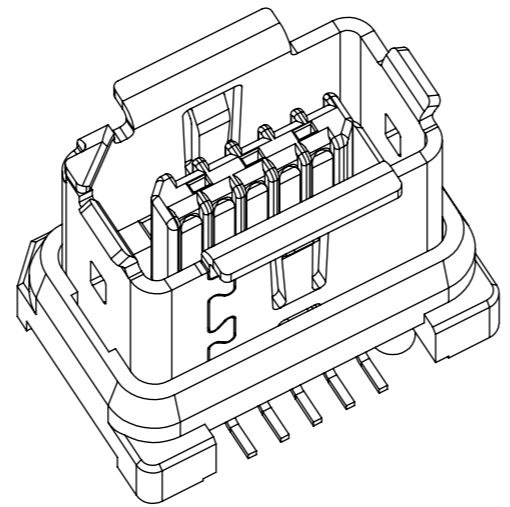
Feb.1.2023 Copyright 2023 HIROSE ELECTRIC CO., LTD. All Rights Reserved.
In case of consideration for using Automotive equipment / device which demand high reliability, kindly contact our sales window correspondents.



- Notes.
- 1 Co-planarity is within 0.1 mm.
 - 2 As for part No.4 the performance remains good though there might be a difference in the plating luster between each plating lots.
 - 3 Per reel : 450 pcs.
The vacuum cap(part No.5) is attached to this product at delivery.
 - 4 Refer to the mated condition diagram for the panel thickness and layout.
 - 5 This product is mounted by reflow soldering.
Refer to specification sheet ELC-129412-00-00 for reflow soldering.



3D image



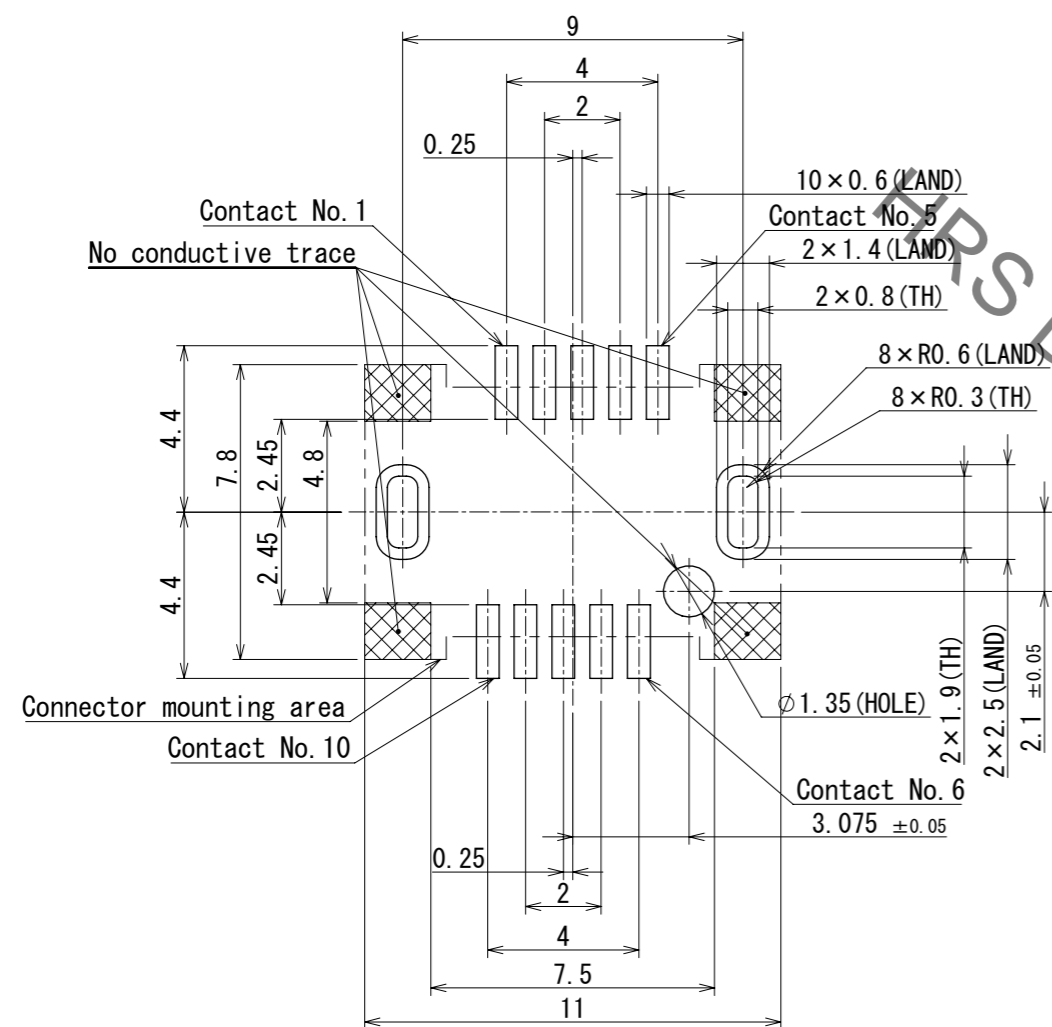
3	Stainless Steel		7	PET			
2	PA	Gray, UL94V-0	6	PS			
1	Copper Alloy	Contact area : Gold 0.2µm min. Lead area : Gold 0.03µm min. Under plating : Nickel 2µm min.	5	PA	Black, UL94V-0		
			4	Stainless Steel	Surface : Tin 1µm min. Under plating : Nickel 0.2µm min.		
NO.	MATERIAL	FINISH	REMARKS	NO.	MATERIAL	FINISH	REMARKS
UNITS	mm	SCALE	5:1	COUNT	3	DESCRIPTION OF REVISIONS	DIS-E-00011281
		DESIGNED	SN. TOYOSHIMA	CHECKED	KI. KAGOTANI	DATE	2022. 10. 04
APPROVED : RI. TAKAYASU		2017. 10. 13		DRAWING NO.		EDC-129412-00-00	
CHECKED : KI. NAGANUMA		2017. 10. 13		PART NO.		IX80G-A-10P	
DESIGNED : YS. SAKODA		2017. 10. 13		CODE NO.		CL0251-0018-0-00	
DRAWN : YS. SAKODA		2017. 10. 13					



HIROSE ELECTRIC CO., LTD.

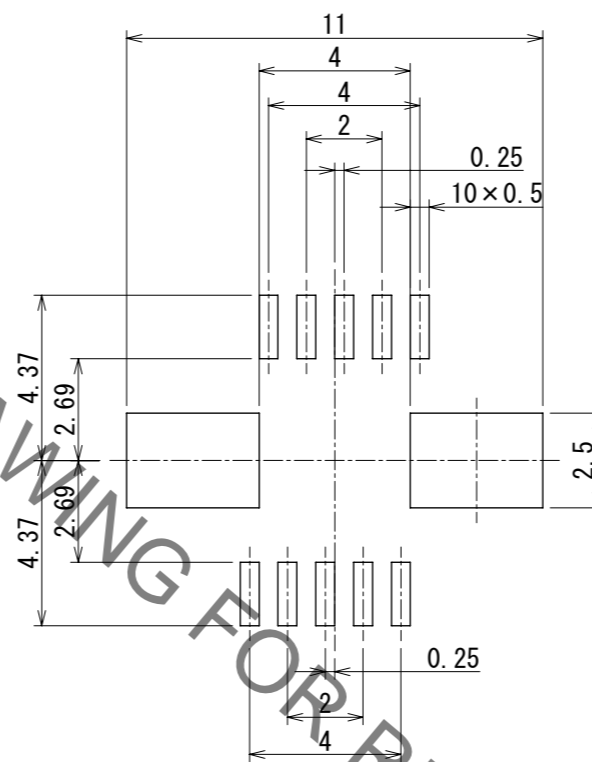
Feb.1.2023 Copyright 2023 HIROSE ELECTRIC CO., LTD. All Rights Reserved.
In case of consideration for using Automotive equipment / device which demand high reliability, kindly contact our sales window correspondents.

Reference PCB Layout (Connector Mounting Side) (t=1.6)



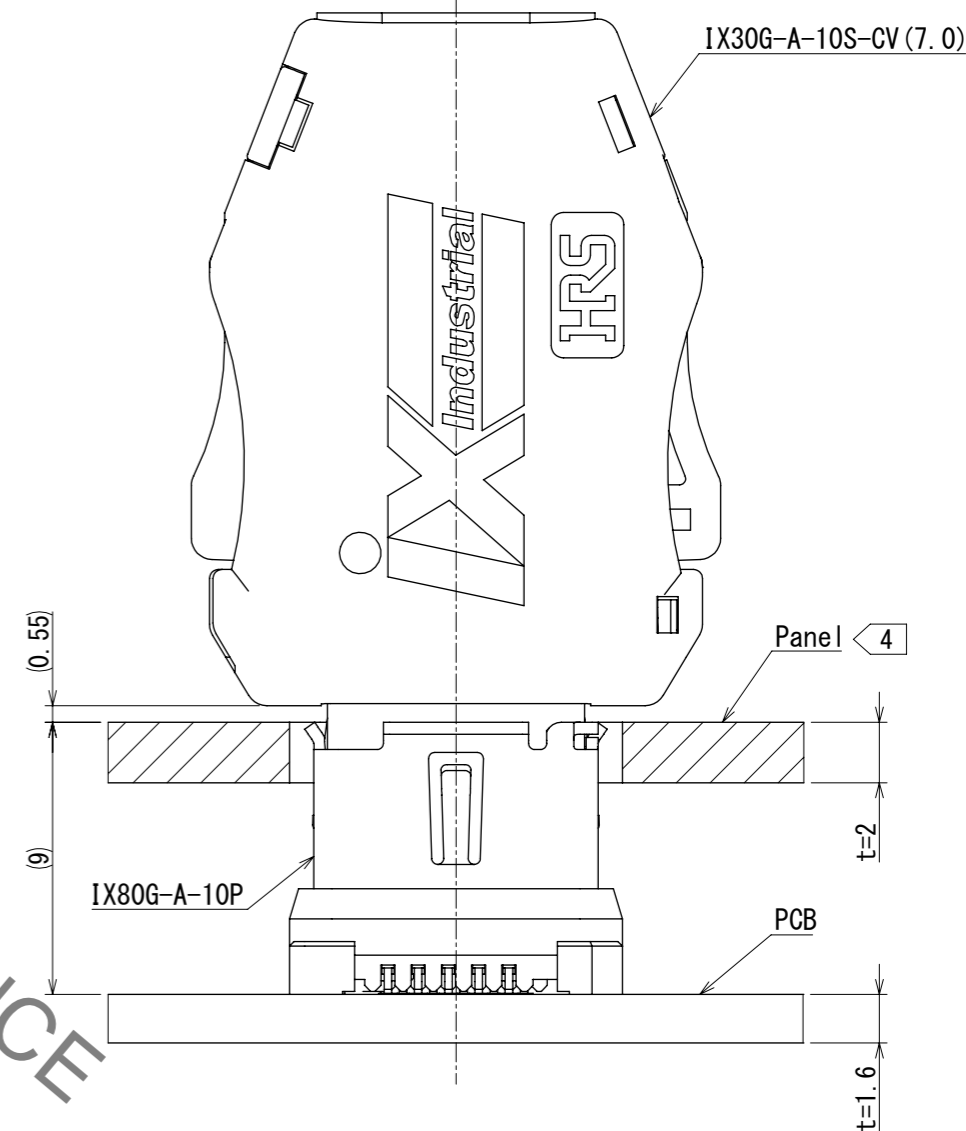
General tolerance is +/- 0.05

6 Reference Metal Mask Layout (t=0.15)

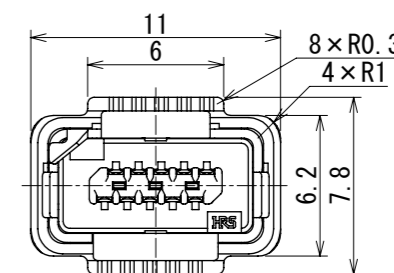


General tolerance is +/- 0.02

Mated Condition (Free)



4 Reference Dimensions of Panel Cutout (Free)

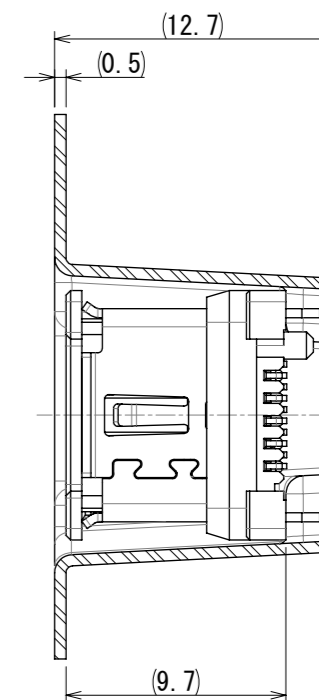
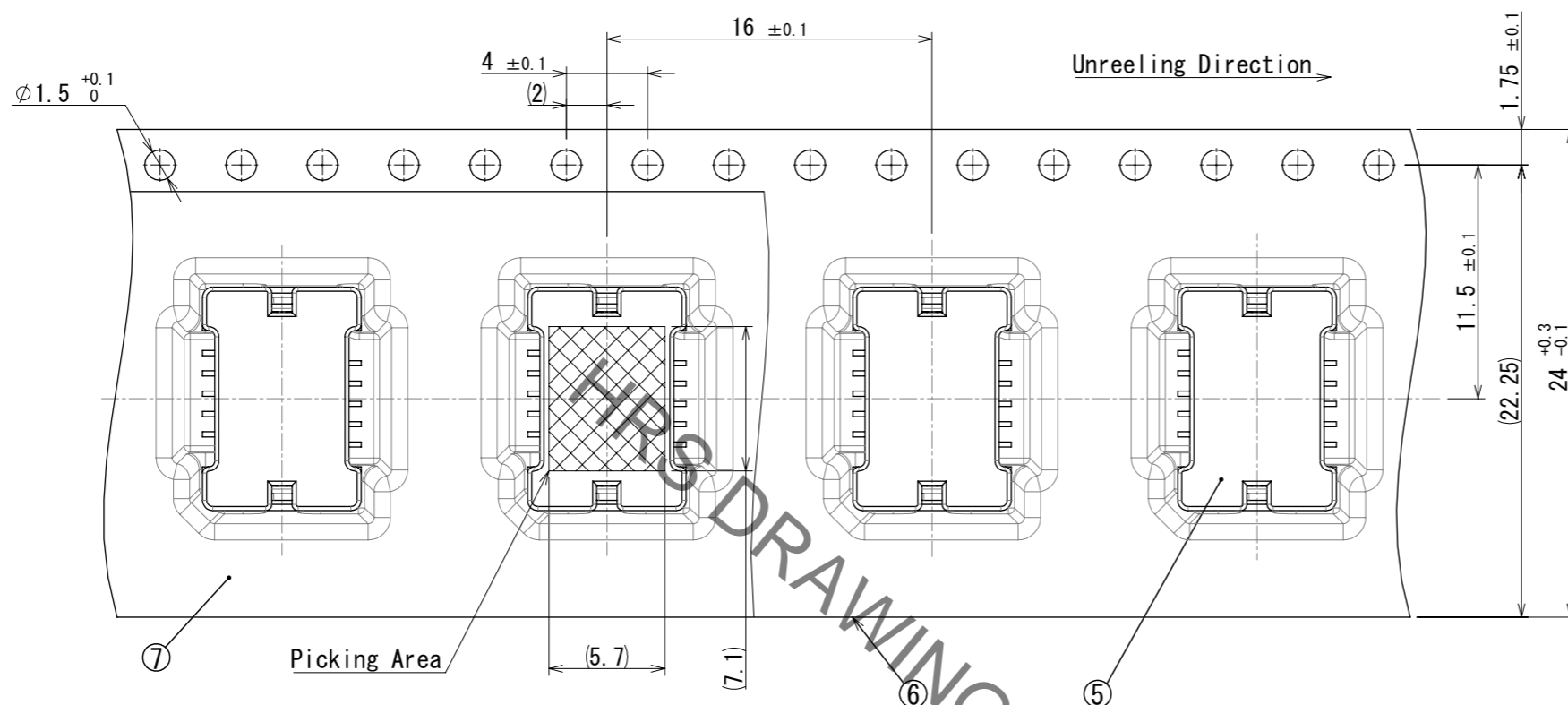


- Notes.
- 6 Thickness of metal mask is 0.1mm min.
 - Metal mask dimensions of the drawings described, are reference dimensions for 0.15mm thickness metal mask.
 - Change the metal mask dimensions by thickness of the metal mask, thickness of PCB, component of solder paste and mounting conditions.
 - Change the metal mask dimensions in case of mounting IX80G-*10P in parallel.
 - Change the metal mask dimensions, if there are other mounting parts or implementation pattern around the portion of mounting position of IX80G-*10P.

HRS	DRAWING NO.	EDC-129412-00-00	2/3
	PART NO.	IX80G-A-10P	
	CODE NO.	CL0251-0018-0-00	

Feb.1.2023 Copyright 2023 HIROSE ELECTRIC CO., LTD. All Rights Reserved.
 In case of consideration for using Automotive equipment / device which demand high reliability, kindly contact our sales window correspondents.

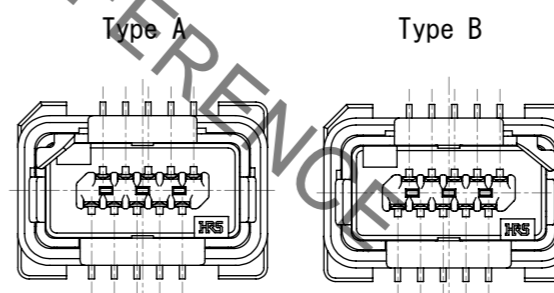
3 Drawing for packing (Free)



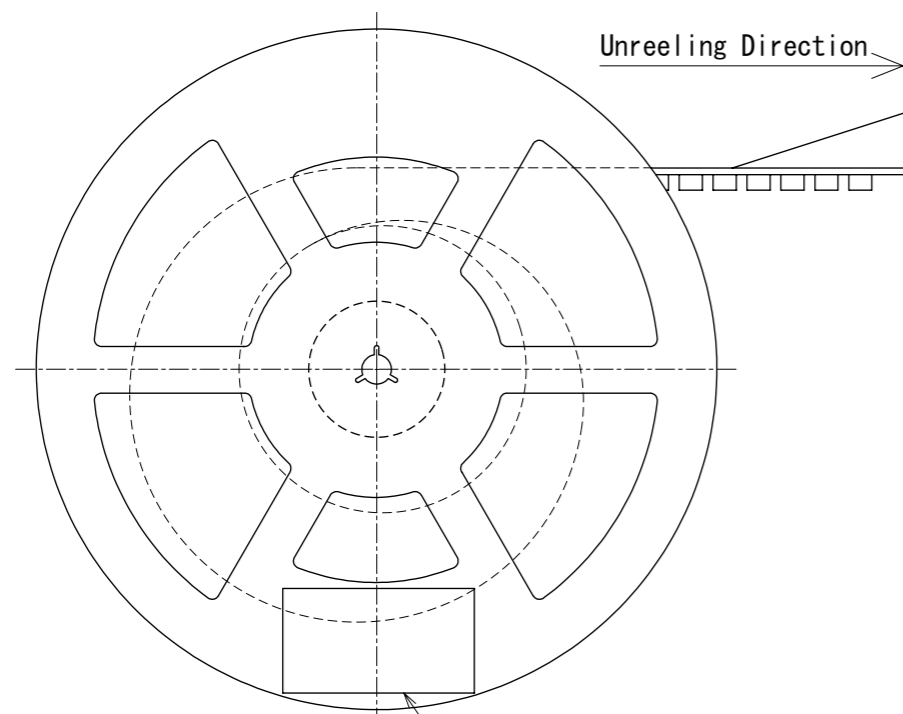
Notes. 7. This product (Type A) is defined for 10/100 Mbit/s and 1/10Gbit/s Ethernet communication. Please use Type B for all other non Ethernet applications like signaling, serial or other industrial bus communication systems.

Mating Shape

Pin Assignment for 10/100 Mbit/s and 1/10Gbit/s Ethernet



Contact No.	Signal	
	10/100 Mbit/s	1/10 Gbit/s
1	TX+	BI_DA+
2	TX-	BI_DA-
3	N. C	GND
4	N. C	BI_DC+
5	N. C	BI_DC-
6	RX+	BI_DB+
7	RX-	BI_DB-
8	N. C	GND
9	N. C	BI_DD+
10	N. C	BI_DD-



Label (Part No., Code No., Lot No., Packing Quantity)

HRS	DRAWING NO.	EDC-129412-00-00	3/3
	PART NO.	IX80G-A-10P	
	CODE NO.	CL0251-0018-0-00	
	NO.		