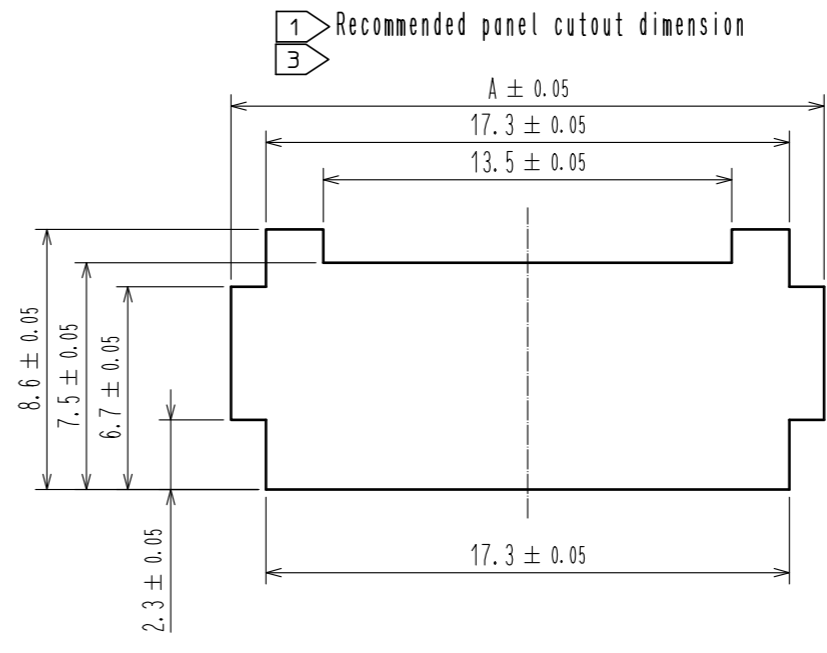
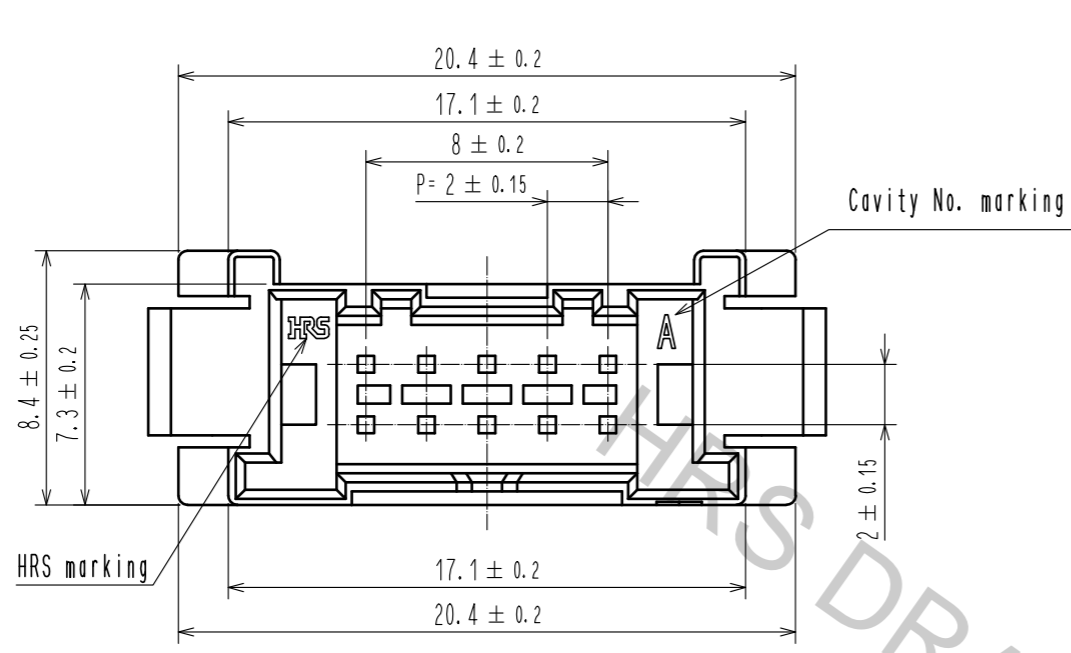
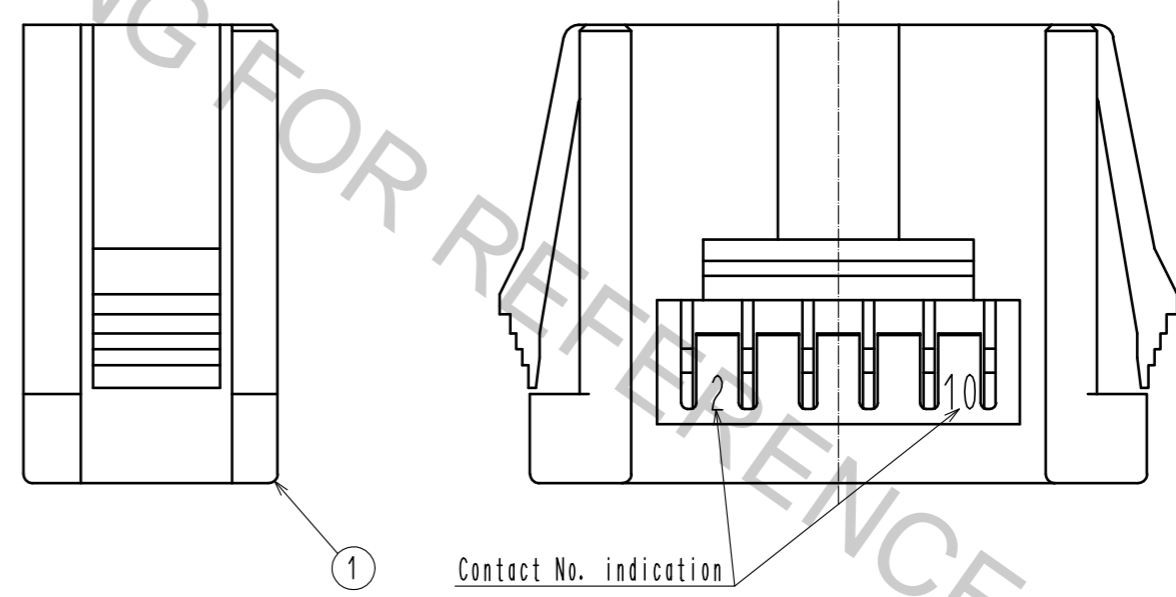
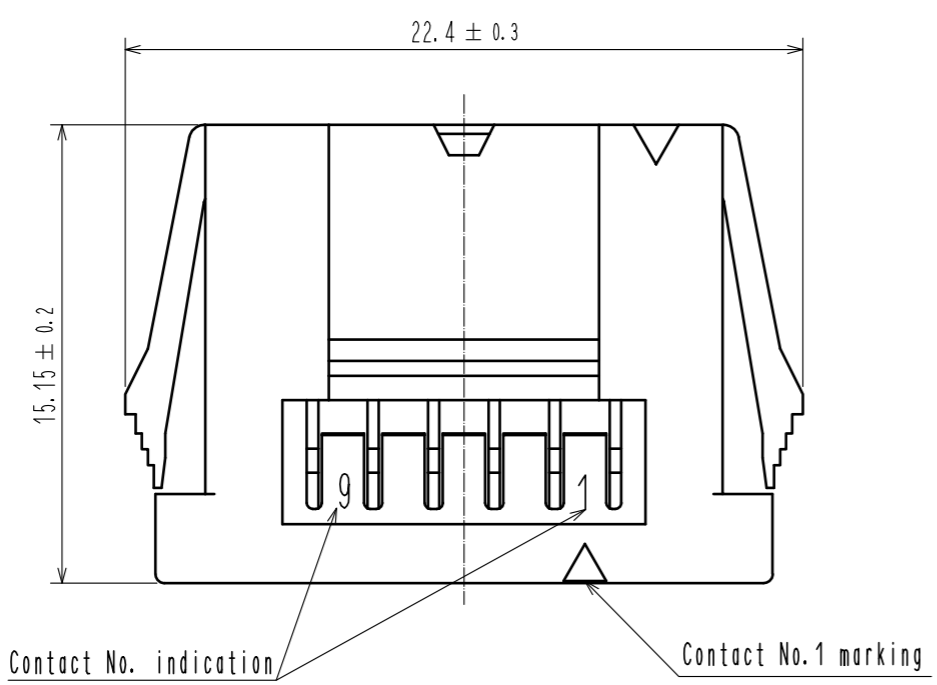


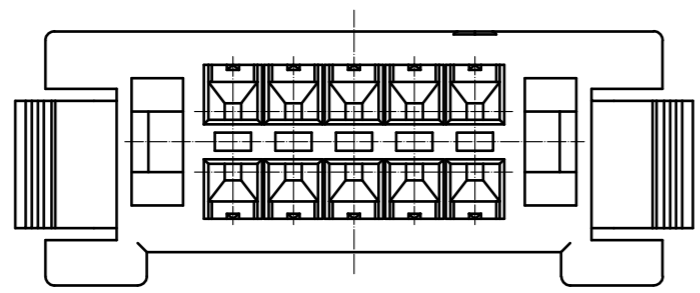
Jan.1.2019 Copyright 2019 HIROSE ELECTRIC CO., LTD. All Rights Reserved.  
 In case that the application demands a high level of reliability, such as automotive,  
 please contact a company representative for further information.



Panel thickness	A
0.5~0.8	19.6
0.9~1.3	20.1
1.4~1.8	20.5
1.9~2.3	20.9



- Note 1 Please use non-radius side for the panel hooking area.  
 2 Applicable panel thicknessing is 2.3 to 0.5 mm.  
 3 Consult Hirose for the other panel cutout designs than recommended one.  
 4. Per pack : 100 pieces.  
 5. UL(File No. E52653),  
 C-UL(File No. E52653) authorization article.



NO.	MATERIAL	FINISH . REMARKS	NO.	MATERIAL	FINISH . REMARKS			
			1	PBT	UL94V-0. BLACK			
UNITS		SCALE	COUNT	DESCRIPTION OF REVISIONS		DESIGNED	CHECKED	DATE
mm		4 : 1	1	DIS-H-00004537		TS. MIYAKI	HS. OKAWA	20181221
HIROSE ELECTRIC CO., LTD.		APPROVED	20160601	DRAWING NO.		EDC-366285-00-00		
		CHECKED	20160601	PART NO.		DF51-10DEP-2C		
		DESIGNED	20160601	CODE NO.		CL543-5074-0-00		
		DRAWN	20160601					