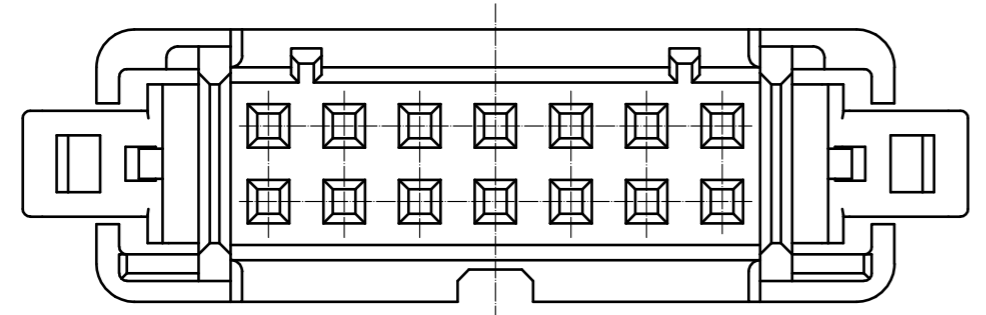
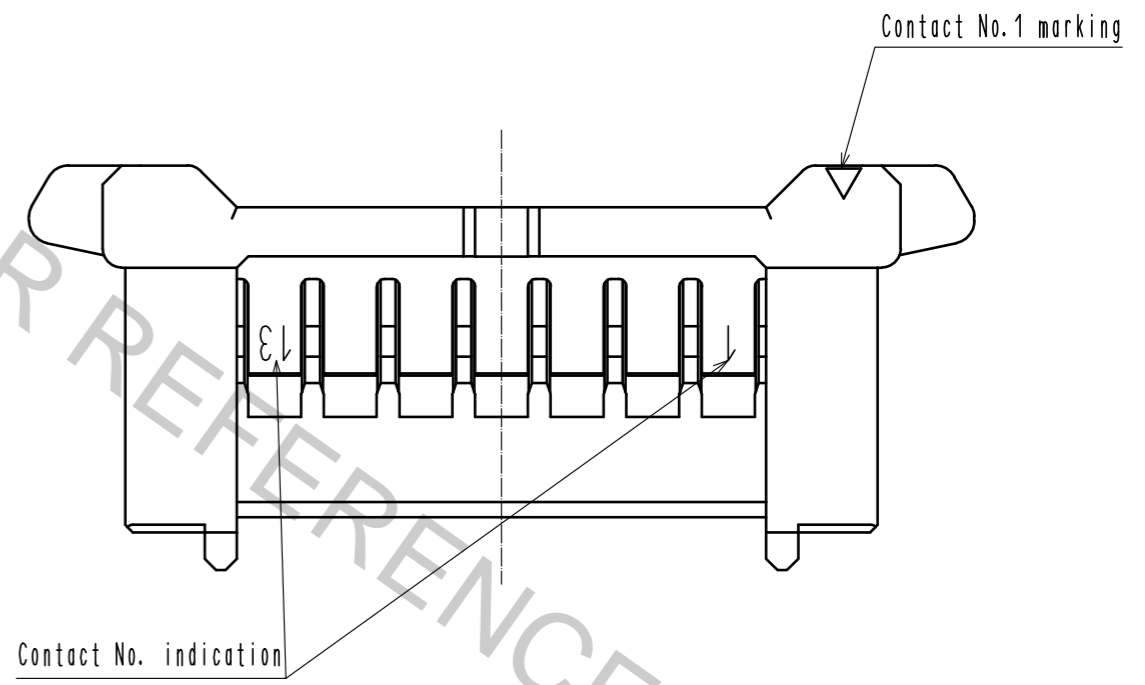
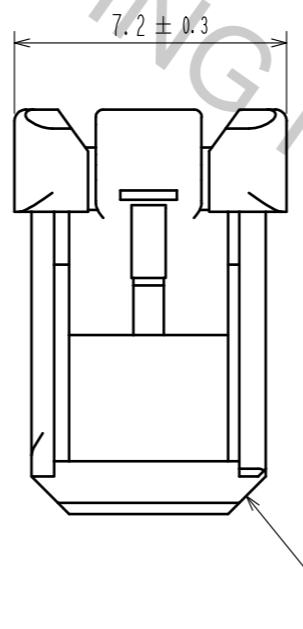
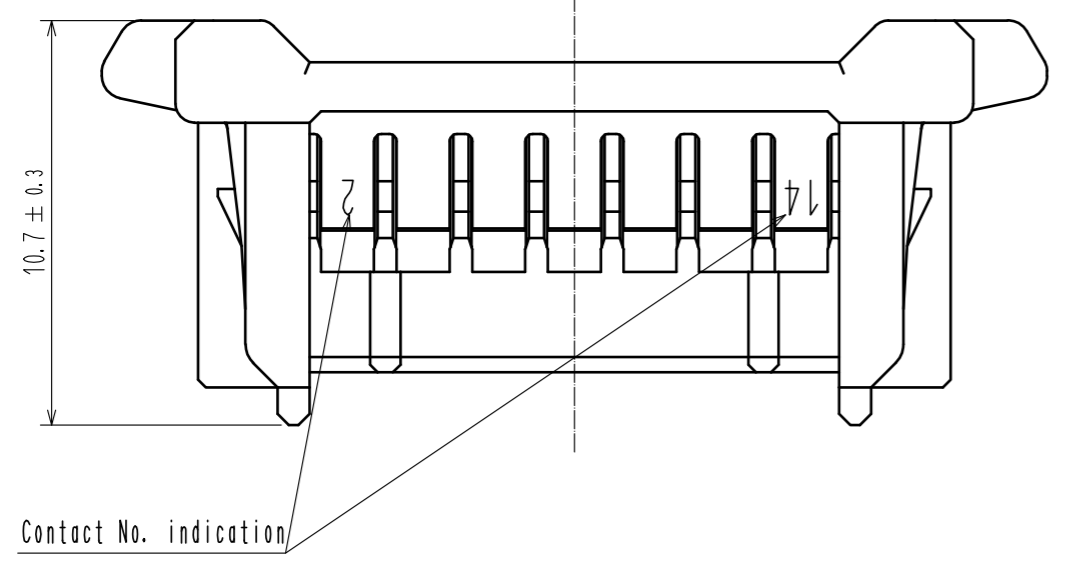
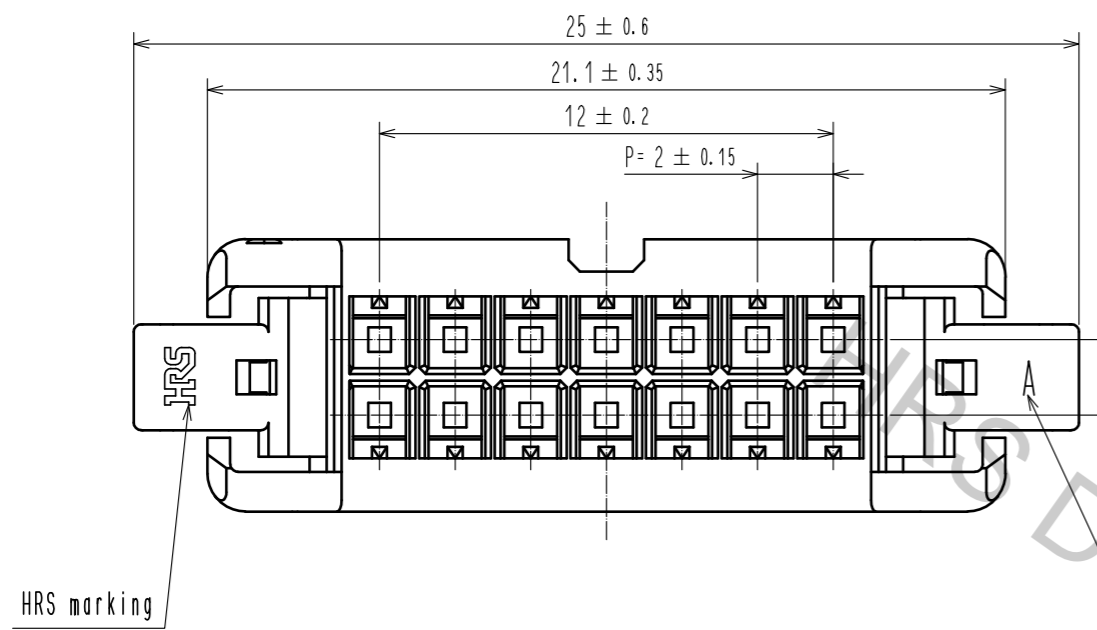


Jan.1.2019 Copyright 2019 HIROSE ELECTRIC CO., LTD. All Rights Reserved.
 In case that the application demands a high level of reliability, such as automotive,
 please contact a company representative for further information.



Note 1. Per pack : 100 pieces.
 △ 2. UL(File No. E52653),
 C-UL(File No. E52653) authorization article.



NO.	MATERIAL	FINISH . REMARKS	NO.	MATERIAL	FINISH . REMARKS
			1	PBT	UL94V-0. BLACK
UNITS mm		SCALE 5 : 1	COUNT △ 1	DESIGNED TS. MIYAKI	CHECKED SZ. ONO
DESCRIPTION OF REVISIONS DIS-H-00004451		DATE 20181126		DRAWING NO. EDC-362059-00-00	
APPROVED : HS. OKAWA		20160707		PART NO. DF51-14DS-2C	
CHECKED : YN. TAKASHITA		20160707		CODE NO. CL543-5035-1-00	
DESIGNED : TT. OHSAKO		20160707		△ 1/1	
DRAWN : TT. OHSAKO		20160707			