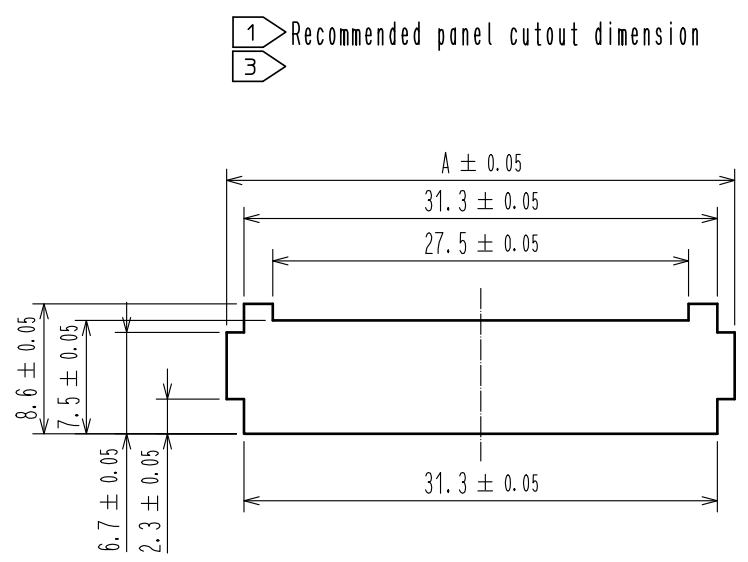
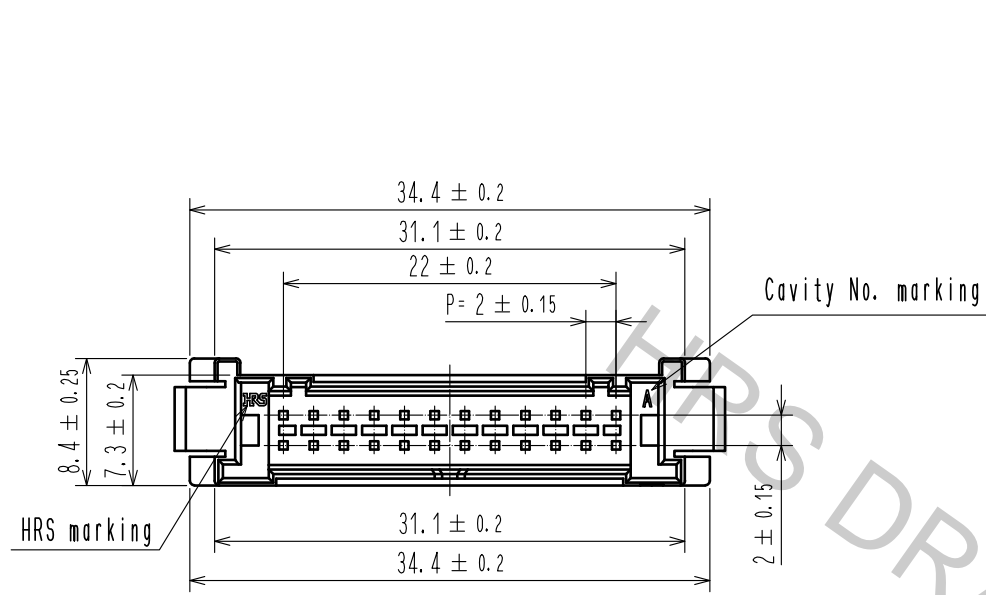
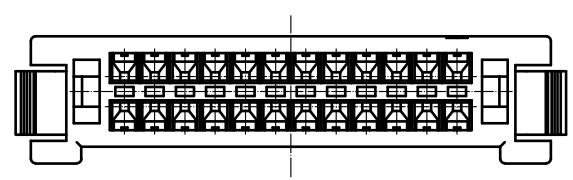
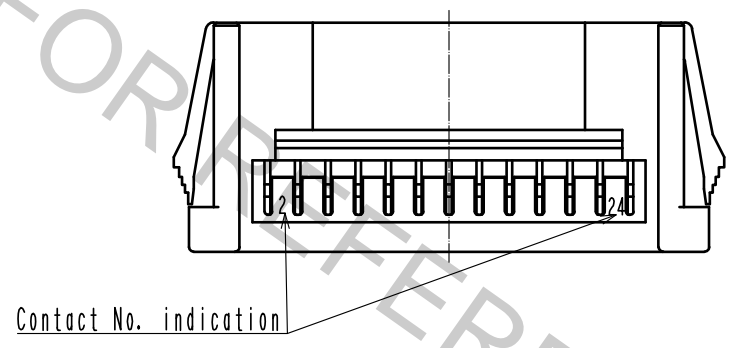
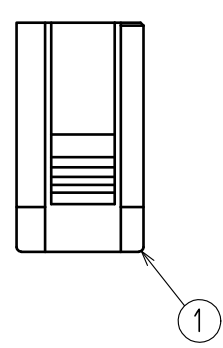
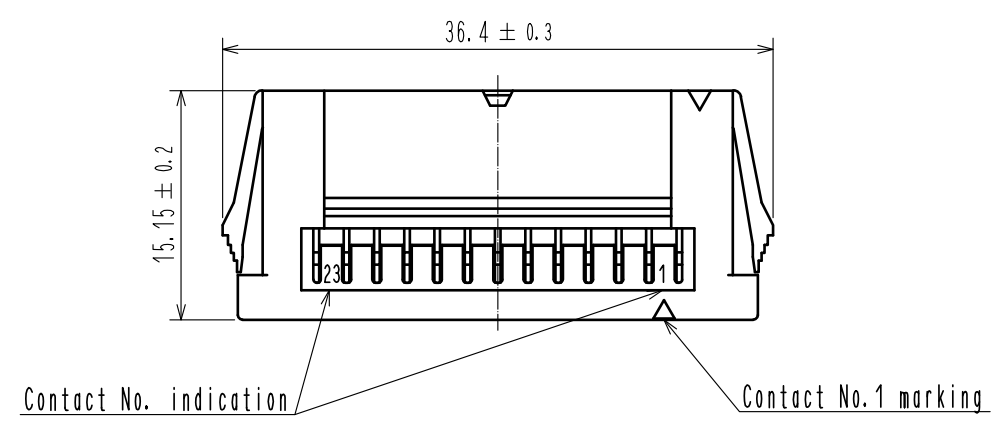


Jan.1.2019 Copyright 2019 HIROSE ELECTRIC CO., LTD. All Rights Reserved.
 In case that the application demands a high level of reliability, such as automotive,
 please contact a company representative for further information.



2

Panel thickness	A
0.5~0.8	33.6
0.9~1.3	34.1
1.4~1.8	34.5
1.9~2.3	34.9



- Note
- 1 Please use non-radius side for the panel hooking area.
 - 2 Applicable panel thicknessing is 2.3 to 0.5 mm.
 - 3 Consult hirose for the other panel cutout designs than recommended one.
 - 4. Per pack : 100 pieces.
 - 5. UL(File No. E52653),
C-UL(File No. E52653) authorization article



NO.		MATERIAL		FINISH . REMARKS		1	PBT	UL94V-0. BLACK		
UNITS mm		SCALE 2 : 1		COUNT 1		DESCRIPTION OF REVISIONS DIS-H-00004547		DESIGNED TS. MIYAKI	CHECKED SZ. ONO	DATE 20181225
HIROSE ELECTRIC CO., LTD.		APPROVED : HS. OKAWA		20160601		DRAWING NO.		EDC-366292-00-00		
		CHECKED : YN. TAKASHITA		20160601		PART NO.		DF51-24DEP-2C		
		DESIGNED : TT. OHSAKO		20160601		CODE NO.		CL543-5081-0-00		
		DRAWN : TT. OHSAKO		20160601						