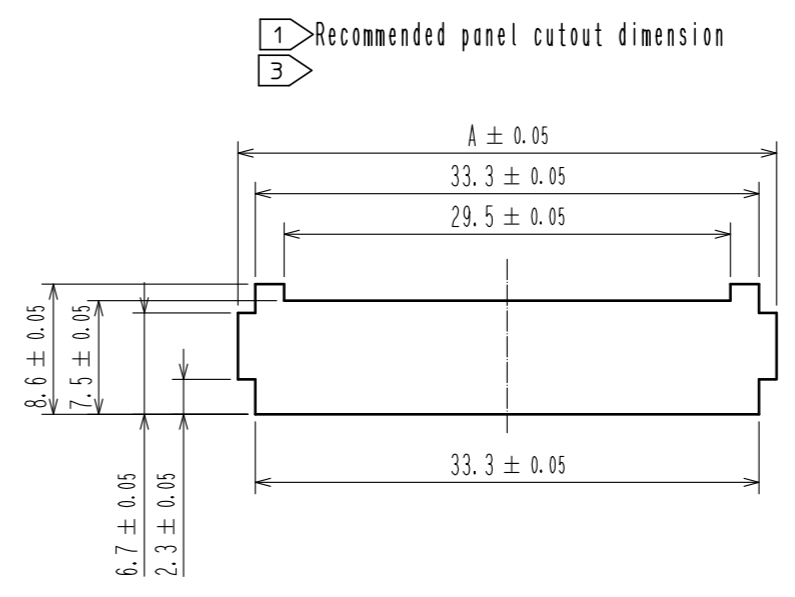
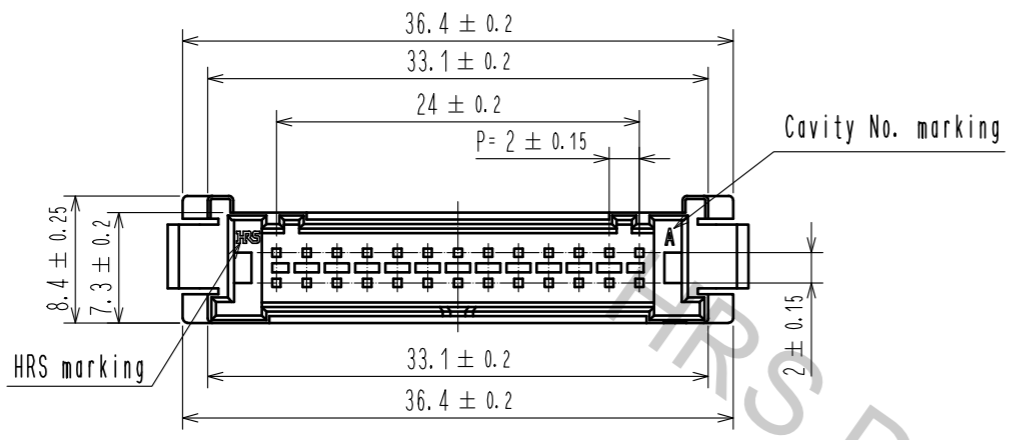
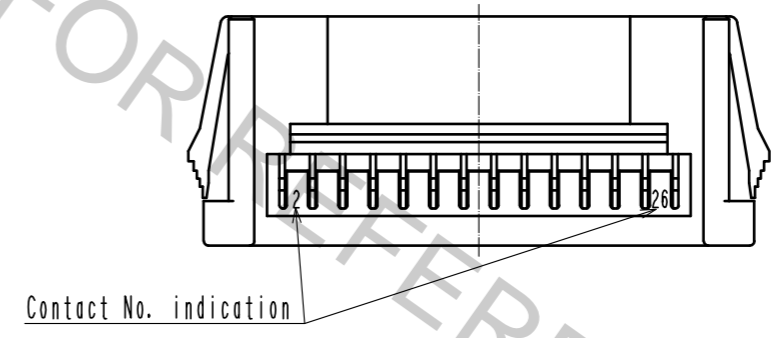
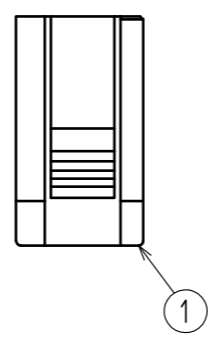
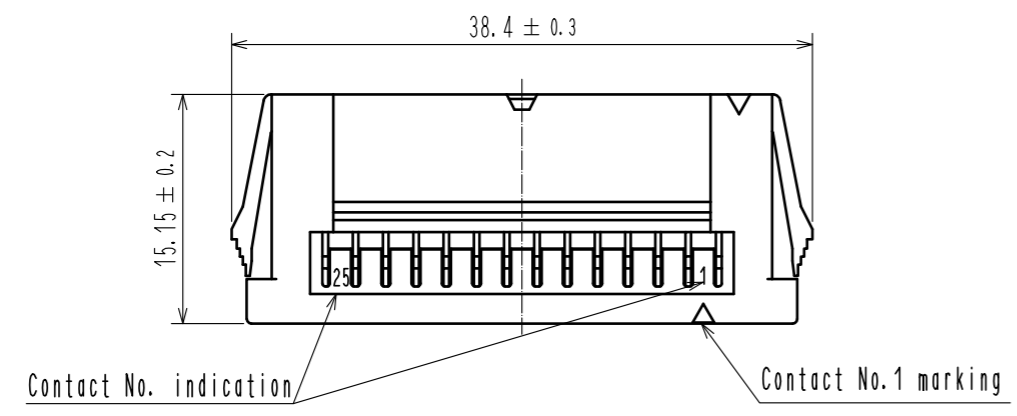


Jan.1.2019 Copyright 2019 HIROSE ELECTRIC CO., LTD. All Rights Reserved.
 In case that the application demands a high level of reliability, such as automotive,
 please contact a company representative for further information.

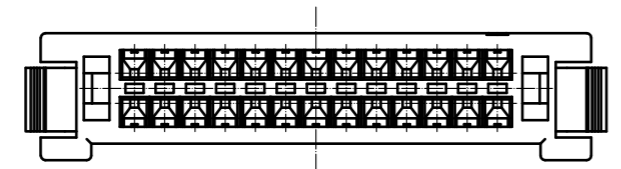


2

| Panel thickness | A |
|-----------------|------|
| 0.5~0.8 | 35.6 |
| 0.9~1.3 | 36.1 |
| 1.4~1.8 | 36.5 |
| 1.9~2.3 | 36.9 |



- Note 1 Please use non-radius side for the panel hooking area.
 2 Applicable panel thicknessing is 2.3 to 0.5 mm.
 3 Consult Hirose for the other panel cutout designs than recommended one.
 4 Per pack : 100 pieces.
 5 UL(File No. E52653),
 C-UL(File No. E52653) authorization article



| | | | | | | | | |
|---------------------------|--|-------------------------|--|------------------|--|------------------------|--------------------|------------------|
| NO. | | MATERIAL | | FINISH . REMARKS | | 1 | PBT | UL94V-0. BLACK |
| UNITS mm | | SCALE 2 : 1 | | COUNT 1 | DESCRIPTION OF REVISIONS DIS-H-00004547 | DESIGNED TS. MIYAKI | CHECKED SZ. ONO | DATE 20181225 |
| HIROSE ELECTRIC CO., LTD. | | APPROVED : HS. OKAWA | | 20160601 | DRAWING NO. EDC-366293-00-00 | | | |
| | | CHECKED : YN. TAKASHITA | | 20160601 | PART NO. DF51-26DEP-2C | | | |
| | | DESIGNED : TT. OHSAKO | | 20160601 | CODE NO. CL543-5082-0-00 | | | |
| | | DRAWN : TT. OHSAKO | | 20160601 | 1/1 | | | |