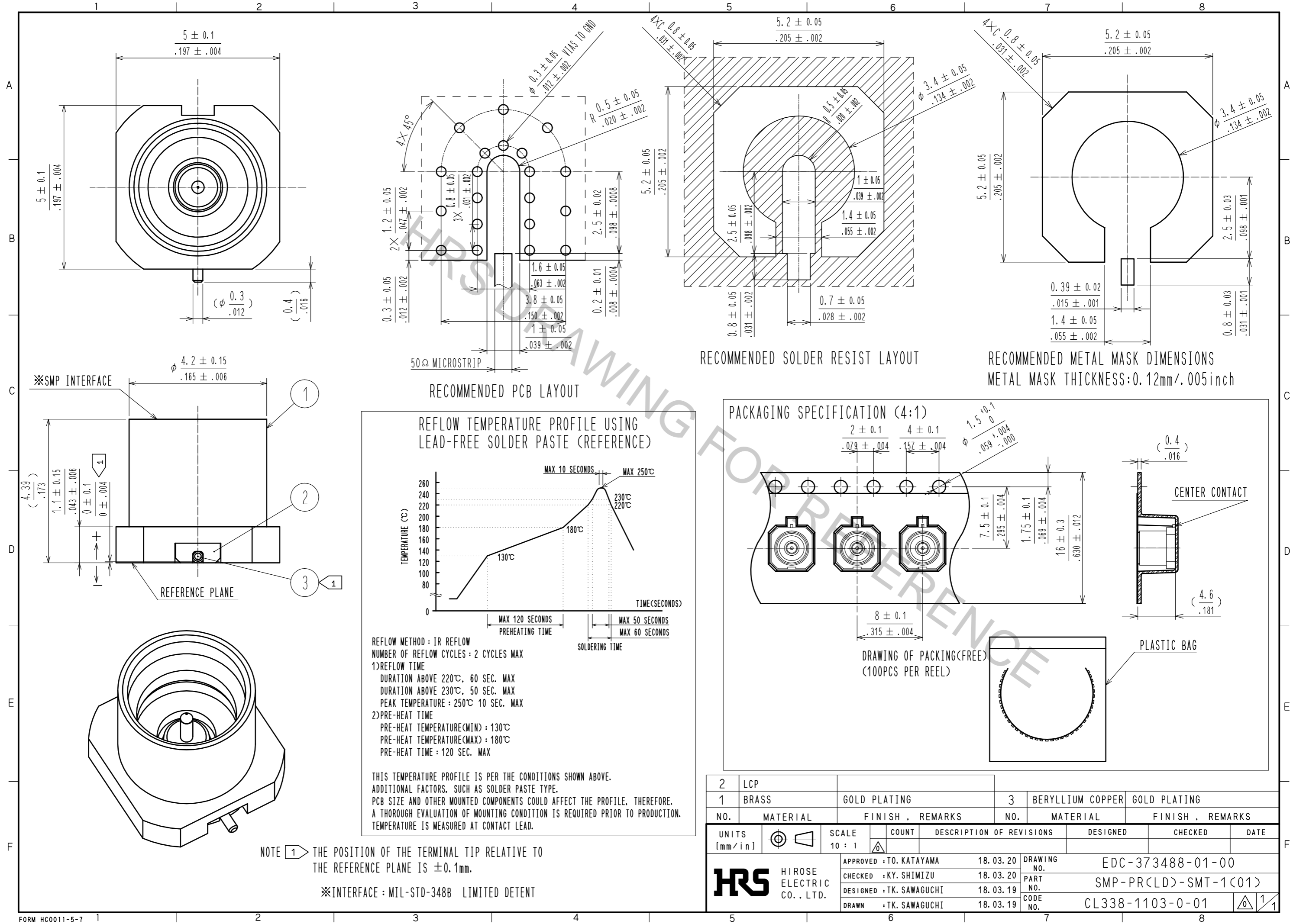


Jan.1.2019 Copyright 2019 HIROSE ELECTRIC CO., LTD. All Rights Reserved.
 In case that the application demands a high level of reliability, such as automotive,
 please contact a company representative for further information.



2	LCP			3	BERYLLIUM COPPER	GOLD PLATING		
1	BRASS	GOLD PLATING						
NO.	MATERIAL	FINISH	REMARKS	NO.	MATERIAL	FINISH	REMARKS	
UNITS [mm/in]		SCALE 10 : 1	COUNT	DESCRIPTION OF REVISIONS		DESIGNED	CHECKED	DATE
HRS HIROSE ELECTRIC CO., LTD.		APPROVED : TO. KATAYAMA	18.03.20	DRAWING NO.		EDC-373488-01-00		
		CHECKED : KY. SHIMIZU	18.03.20	PART NO.		SMP-PR(LD)-SMT-1(C01)		
		DESIGNED : TK. SAWAGUCHI	18.03.19	CODE NO.		CL338-1103-0-01		
		DRAWN : TK. SAWAGUCHI	18.03.19					