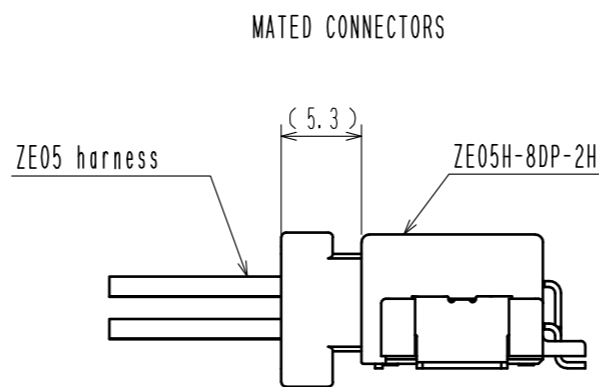
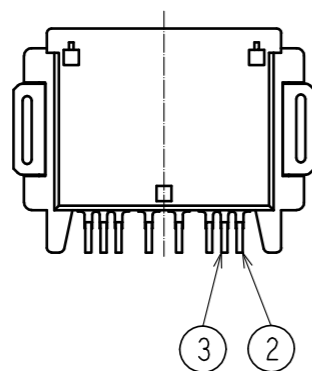
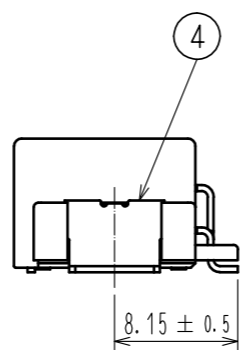
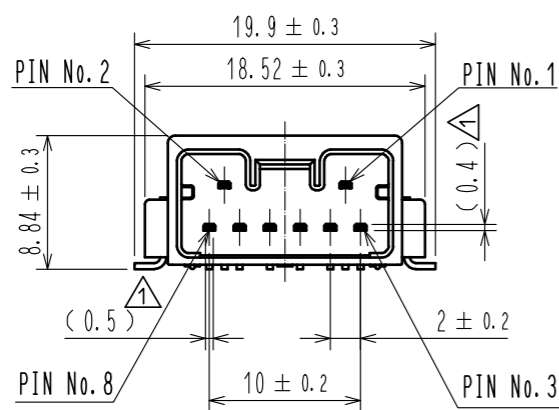
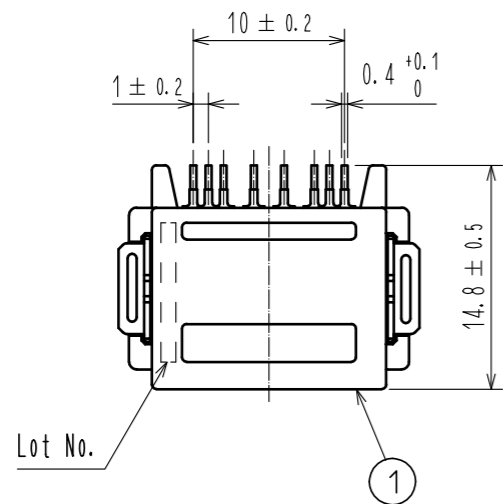
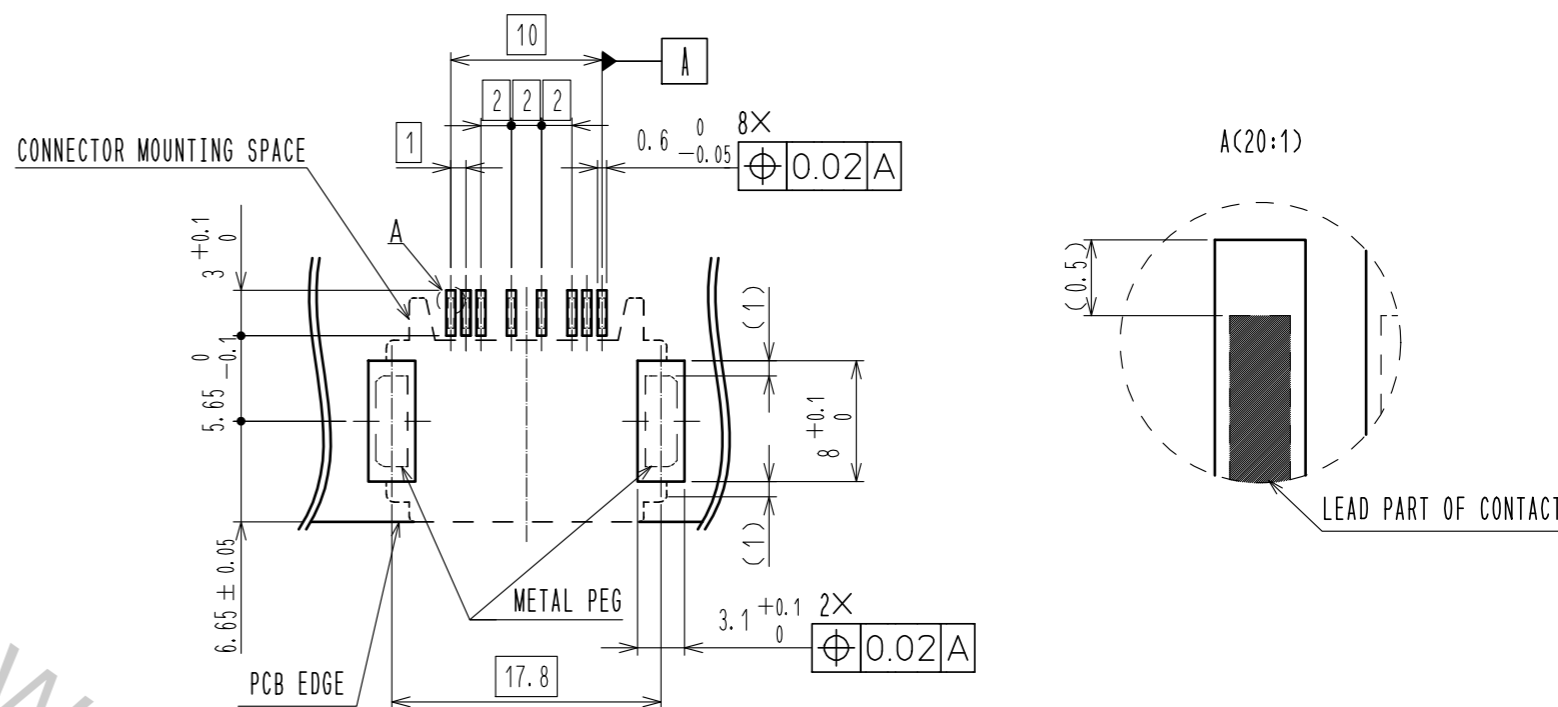


ELV, RoHS COMPLIANT



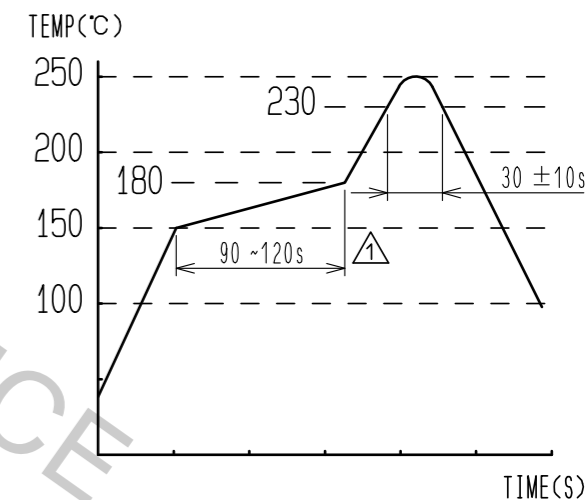
RECOMMENDED PCB PATTERN



NOTE 1. RECOMMENDED TEMPERATURE PROFILE FOR REFLOW (REFER TO RIGHT FIG.) USED REFLOW SYSTEM

- : IR IN THE AIR OR NITROGEN
- NO. OF CYCLES : 2 MAX
- PEAK : 250°C
- OVER 230°C : 20~40s
- PREHEAT : 150~180°C
- 90~120s Δ

- 2. TEMPERATURE FOR SOLDERING IRON : 280~300°C WITHIN 2s
- 3. CO-PLANARITY SHALL BE 0.1mm MAX.
- 4. RECOMMENDED PCB THICKNESS IS 1.6mm.
- 5. RECOMMENDED SOLDER THICKNESS IS 0.15mm.



3	BRASS	SURFACE PLATING : TIN PLATING 1μm min						
		UNDER PLATING : NICKEL 1μm min	6	POLYESTER				
2	BRASS	SURFACE PLATING : TIN PLATING 1μm min	5	POLYSTYRENE				
		UNDER PLATING : NICKEL 1μm min			SURFACE PLATING : TIN PLATING 1μm min			
1	PA	BLACK UL94V-0	4	BRASS	UNDER PLATING : NICKEL 1μm min			
NO.	MATERIAL	FINISH . REMARKS	NO.	MATERIAL	FINISH . REMARKS			
UNITS	\odot \triangleleft	SCALE	COUNT	DESCRIPTION OF REVISIONS		DESIGNED	CHECKED	DATE
mm		2 : 1	Δ 6	DIS-T-00003979		YONGMUN LEE	HH. TSUKUMO	20181119
HRS HIROSE ELECTRIC CO., LTD.		APPROVED : HK. UMEHARA	20170906	DRAWING NO.		EDC-373531-00-00		
		CHECKED : HK. UMEHARA	20170906	PART NO.		ZE05H-8DP-2H		
		DESIGNED : AH. EDASHIGE	20170906	CODE NO.		CL752-2112-0-00		
		DRAWN : MN. SATOH	20170906			Δ 1/2		

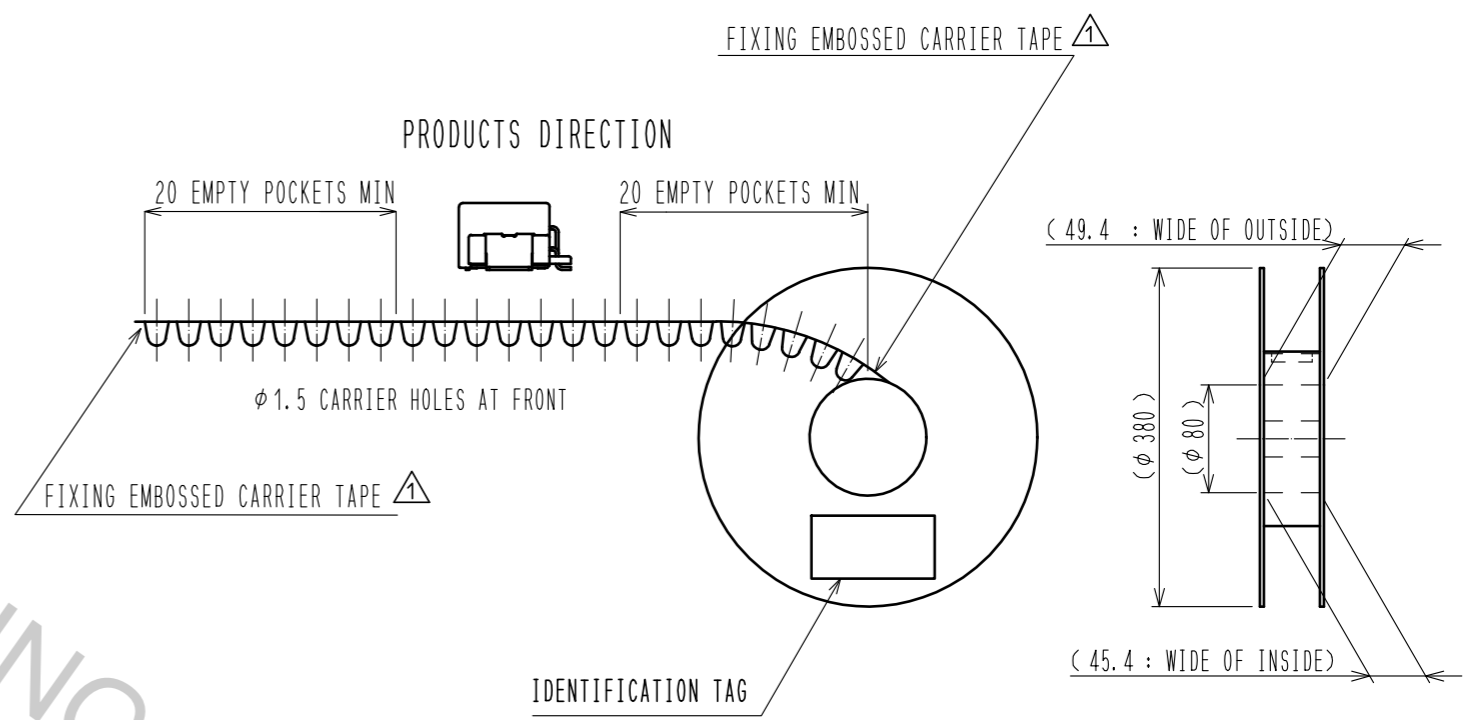
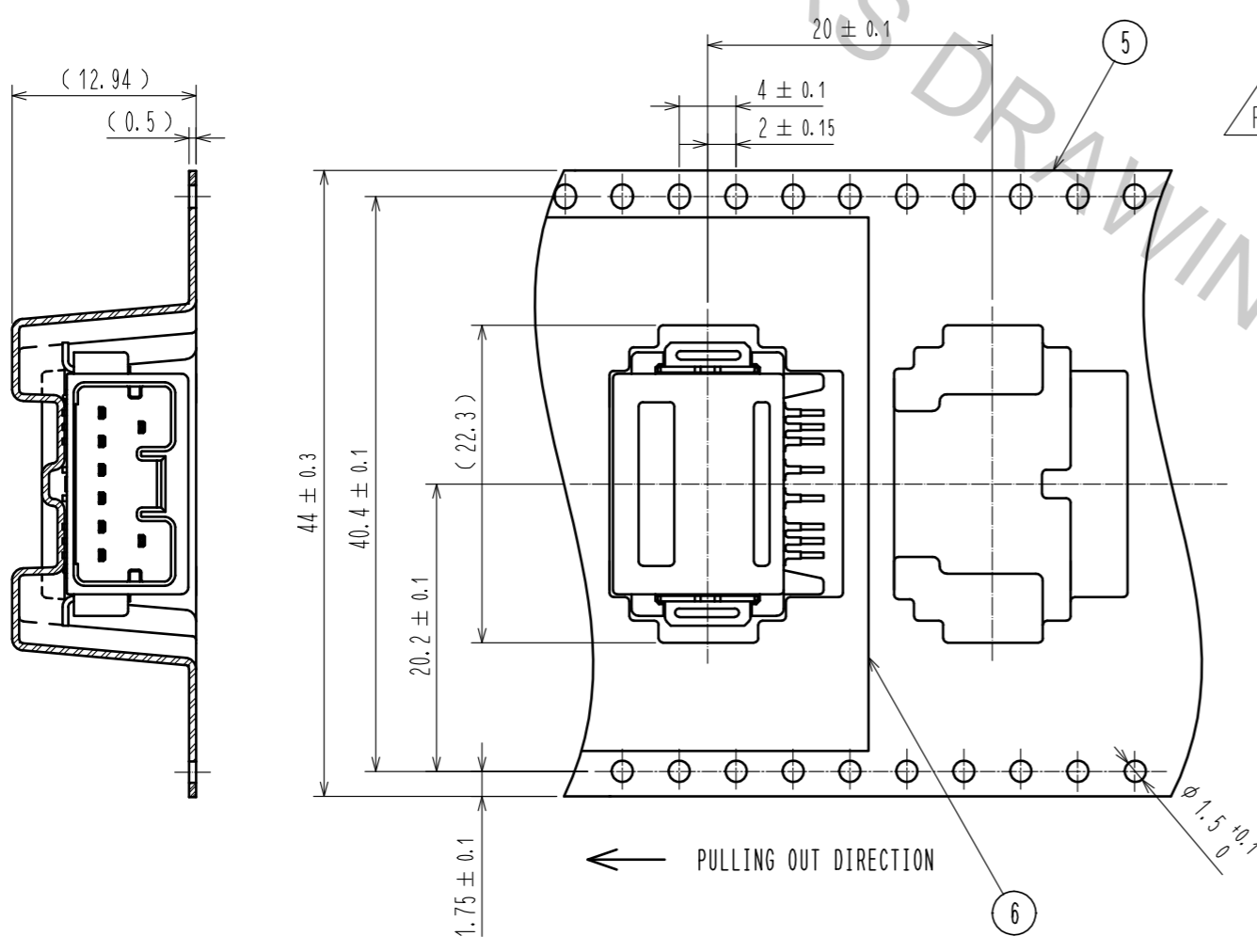
HRS DRAWING FOR REFERENCE

Feb.1.2019 Copyright 2019 HIROSE ELECTRIC CO., LTD. All Rights Reserved. In case that the application demands a high level of reliability, such as automotive, please contact a company representative for further information.

PACKING STYLE

REEL DIMENSION (FREE)

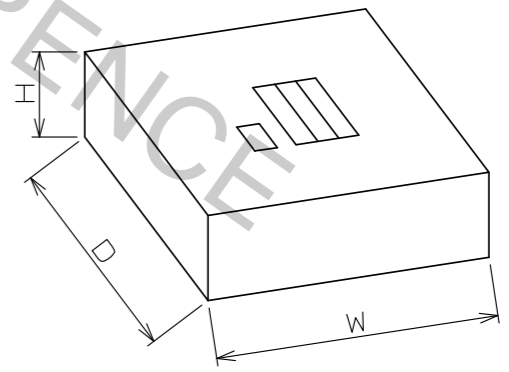
PACKING STYLE DRAWING



300 PCS/REEL

CARDBOARD DIMENSION (FREE)

W=(405) (mm)
D=(405) (mm)
H=(51) (mm)



HRS DRAWING FOR REFERENCE

Feb.1.2019 Copyright 2019 HIROSE ELECTRIC CO., LTD. All Rights Reserved.
In case that the application demands a high level of reliability, such as automotive,
please contact a company representative for further information.

HRS	DRAWING NO.	EDC-373531-00-00	2/2
	PART NO.	ZE05H-8DP-2H	
	CODE NO.	CL752-2112-0-00	