

BWA SERIES RF CO-AXIAL CONNECTORS

The BWA series are converter adapters used for connecting connectors of different series.

- (1) Has mating portions compatible in materials and finish with the respective series.
- (2) Conforms in performance to the lower series of the two connectors to be connected.

Converter adapter list

Mating portion 1		Mating portion 2		Part No.	CL No.	Remarks	Shape	
Series name	Mating portion	Series name	Mating portion					
N	P	BNC	P	NP-BNCP(40)	311-0050-7-40		Fig.1	
			J	JUG-201A/U(40)	311-0007-8-40		Fig.2	
		M	J	NP-MJ(40)	311-0019-7-40		Fig.3	
		S	J	N.P-S.J(40)	311-0245-6-40		Fig.4	
		HRM	P	HRM-555S(40)	311-0125-4-40		Fig.5	
			J	HRM-554S(40)	311-0123-9-40		Fig.6	
	J	BNC	P	UG-349/U(40)	311-0004-0-40		Fig.7	
			J	NJ-BNCJ(40)	311-0005-2-40		Fig.8	
				NJ-BNCJ-PA(40)	311-0014-3-40	Panel-mount type	Fig.9	
		M	P	NJ-MP(40)	311-0018-4-40		Fig.10	
			J	NJ-MJ(40)	311-0011-5-40		Fig.11	
		TNC	P	N.J-TNC.P(40)	311-0225-9-40		Fig.12	
		HRM	P	HRM-553S	311-0121-3		Fig.13	
			J	HRM-552S	311-0119-1		Fig.15	
		BNC	P	M	P	BNCP-MP(40)	311-0062-6-40	
J	BNCP-MJ(40)				311-0008-0-40		Fig.18	
S	P			SP-BNCP(40)	311-0055-0-40		Fig.19	
	J			SJ-BNCP(40)	311-0060-0-40		Fig.20	
UM	J			BNCP-UMJ(40)	311-0065-4-40		Fig.21	
MSS	P			BNCP-MSSP(40)	311-0107-2-40		Fig.22	
	J			BNCP-MSSJ(40)	311-0082-3-40		Fig.23	
HRM	P			HRM-519(40)	311-0101-6-40		Fig.24	
	J			HRM-518(40)	311-0100-3-40		Fig.25	
J	UHF			P	UG-273/U(40)	311-0003-7-40		Fig.26
	M			P	BNCJ-MP(40)	311-0009-3-40		Fig.27
				J	MJ-BNCJ(40)	311-0020-6-40		Fig.28
	S		P	SP-BNCJ(40)	311-0058-9-40		Fig.29	
			J	SJ-BNCJ(40)	311-0054-8-40		Fig.30	
	SJ-BNCJ-PA(40)			311-0108-5-40	Panel-mount type	Fig.31		
	TNC		J	BNC.J-TNC.J(40)	311-0194-7-40		Fig.32	
	UM		P	BNCJ-UMP(40)	311-0052-2-40		Fig.33	
			J	BNCJ-UMJ(40)	311-0053-5-40		Fig.34	
BNCJ-UMJ-PA(40)	311-0103-1-40			Panel-mount type	Fig.35			
MSS	P		BNCJ-MSSP(40)	311-0081-0-40		Fig.36		
	J		BNCJ-MSSJ(40)	311-0066-7-40		Fig.37		

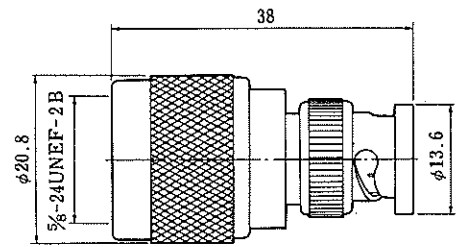
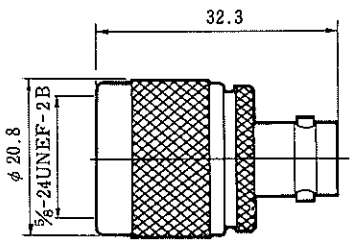
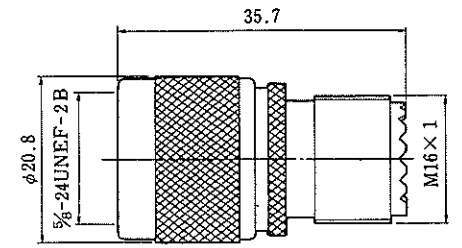
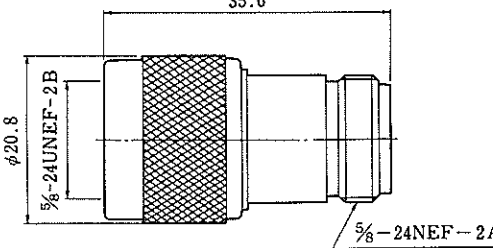
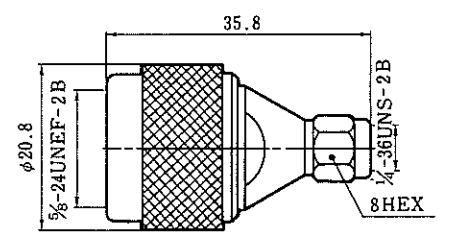
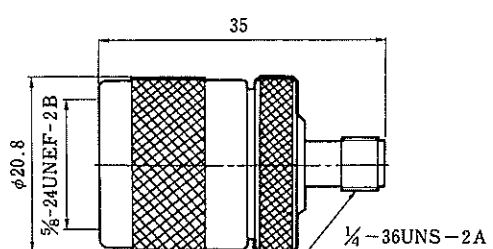
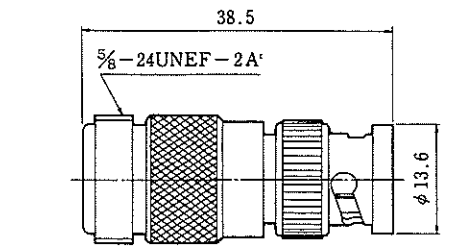
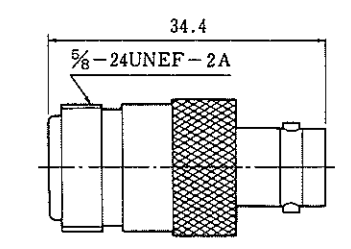
BWA SERIES RF CO-AXIAL CONNECTORS

Mating portion 1		Mating portion 2		Part No.	CL No.	Remarks	Shape	
Series name	Mating portion	Series name	Mating portion					
BNC	J	HRM	P	HRM-517(40)	311-0099-6-40		Fig.38	
			J	HRM-516(40)	311-0102-9-40		Fig.39	
		POD	P	BNCJ-PODP(40)	311-0160-5-40		Fig.40	
			J	BNCJ-PODJ(40)	311-0161-8-40		Fig.41	
		PO6	J	BNCJ-PO6J(40)	311-0167-4-40		Fig.42	
S	P	HRM	P	HRM-509(40)	311-0093-0-40		Fig.43	
			J	HRM-508(40)	311-0092-7-40		Fig.44	
	J	HRM	P		HRM-507(40)	311-0091-4-40		Fig.45
					HRM-512(40)	311-0098-3-40	Panel-mount type	Fig.46
				HRM-512S(40)	311-0144-9-40	Panel-mount type, S type	Fig.46	
				HRM-506(40)	311-0090-1-40		Fig.47	
			J		HRM-511(40)	311-0094-2-40	Panel-mount type	Fig.48
					HRM-511S(40)	311-0143-6-40	Panel-mount type, S type	Fig.48
TNC	J	HRM	J	HRMJ-TNCJ-PA(40)	311-0202-3-40	Panel-mount type	Fig.49	
UM	P	HRM	J	UM.P-HRM.J(40)	311-0176-5-40		Fig.50	
	J	HRM	J	HRMJ-UMJ(40)	311-0164-6-40		Fig.51	
HRM	P	POB	P	HRMP-POBP-1(40)	311-0169-0-40		Fig.52	
			J	HRMP-POBJ	311-0152-7		Fig.53	
		POD	J	HRM.P-POD.J(40)	311-0177-8-40		Fig.54	
		POD1	J	HRMP-POD1J(40)	311-0253-4-40		Fig.55	
		PO6	J	HRMP-PO6J(40)	311-0172-4-40		Fig.56	
		S,FL	J	HRMP-S.FLJ-2(40)	311-0249-7-40	For inspecting harnesses parts	Fig.57	
		H,FL	J	HRMP-H.FLJ(40)	311-0232-4-40	For inspecting harnesses parts	Fig.58	
		HRMM	P		HRMP-HRMMJ(40)	311-0250-6-40		Fig.59
					HRMP-HRMMJ	311-0243-0		Fig.60
			J	HRMP-HRMMJ-LA(40)	311-0226-1-40		Fig.61	
	J	POB	P		HRMJ-POBP(40)	311-0151-4-40		Fig.62
					HRMJ-POBP-PA(40)	311-0206-4-40		Fig.63
			J		HRMJ-POBJ(40)	311-0149-2-40		Fig.64
					HRMJ-POBJ-PA(40)	311-0150-1-40		Fig.65
		POD	P	HRMJ-PODP(40)	311-0157-0-40		Fig.66	
		POD1	P	HRMJ-POD1P-1(40)	311-0254-7-40		Fig.67	
		PO6	P	HRMJ-PO6P(40)	311-0173-7-40		Fig.68	
		PO51	P	HRMJ-PO51P(40)	311-0231-1-40		Fig.69	
		FL	P	HRMJ-FLP-1(40)	311-0195-0-40		Fig.70	
			J	HRMJ-FLJ(40)	311-0179-3-40		Fig.71	
S,FL	P	HRMJ-S.FLP(40)	311-0218-3-40		Fig.72			
H,FL	P	HRMJ-H.FLP-3(40)	311-0264-0-40		Fig.73			
HRMM	P		HRMJ-HRMMJ-2	311-0221-8		Fig.74		
			HRMJ-HRMMJ-LA(40)	311-0227-4-40		Fig.75		
	J	HRMJ-HRMMJ	311-0220-5		Fig.76			

- Note 1. Part No. NP-BNCP of Fig.1 is shown that series name N, coupling part p (plug) for connecting part 1 and series name BNC, coupling part P (plug) for connecting part 2.
 2. Series name of each connecting parts are shown in order to HIROSE's CL numbers.

Mar.1.2024 Copyright 2024 HIROSE ELECTRIC CO., LTD. All Rights Reserved.

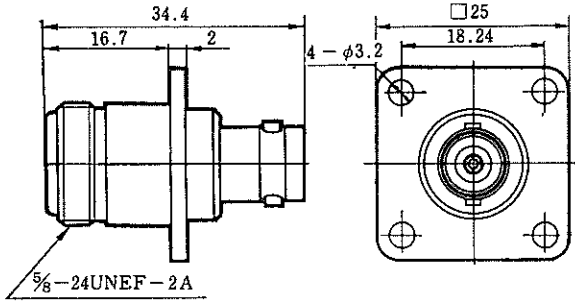
BWA SERIES RF CO-AXIAL CONNECTORS

<p>Fig.1</p>  <p>NP-BNCP(40)</p>	<p>Fig.2</p>  <p>UG-201A/U(40)</p>
<p>Fig.3</p>  <p>NP-MJ(40)</p>	<p>Fig.4</p>  <p>N.P-S.J(40)</p>
<p>Fig.5</p>  <p>HRM-555S(40)</p>	<p>Fig.6</p>  <p>HRM-554S(40)</p>
<p>Fig.7</p>  <p>UG-349/U(40)</p>	<p>Fig.8</p>  <p>NJ-BNCJ(40)</p>

Mar.1.2024 Copyright 2024 HIROSE ELECTRIC CO., LTD. All Rights Reserved.

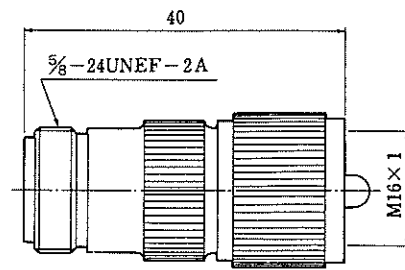
BWA SERIES RF CO-AXIAL CONNECTORS

Fig.9



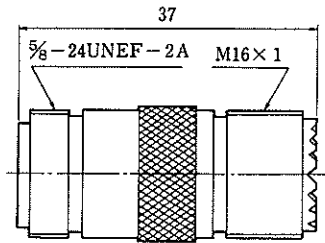
NJ-BNCJ-PA(40)

Fig.10



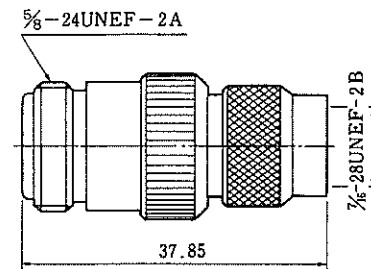
NJ-MP(40)

Fig.11



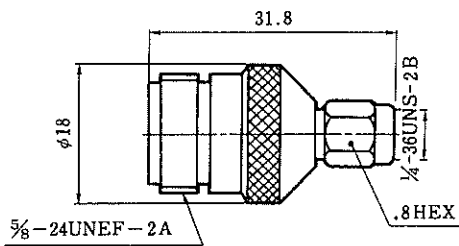
NJ-MJ(40)

Fig.12



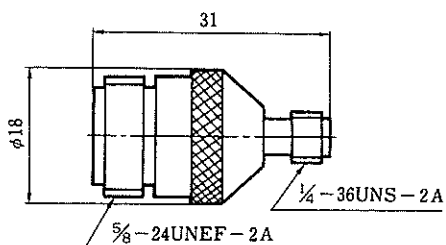
NJ-TNC.P(40)

Fig.13



HRM-553S

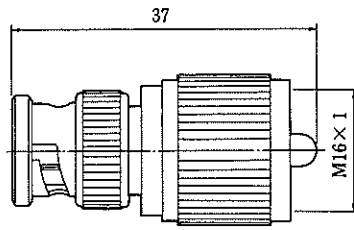
Fig.15



HRM-552S

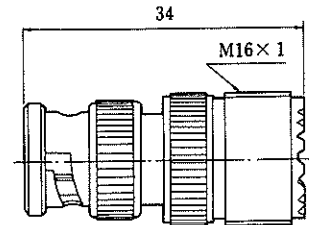
BWA SERIES RF CO-AXIAL CONNECTORS

Fig.17



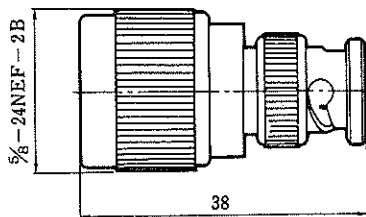
BNCP-MP(40)

Fig.18



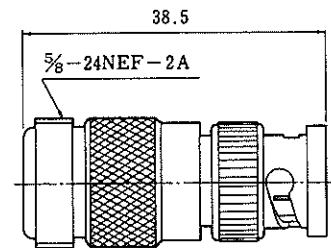
BNCP-MJ(40)

Fig.19



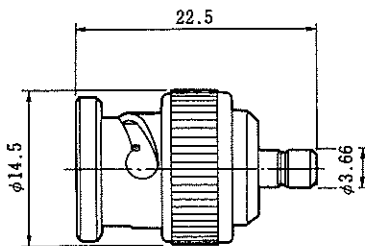
SP-BNCP(40)

Fig.20



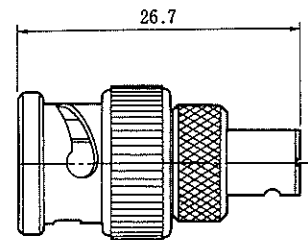
SJ-BNCP(40)

Fig.21



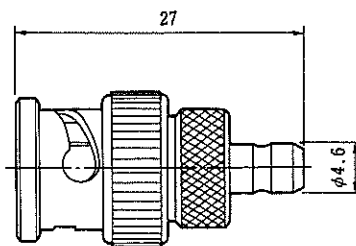
BNCP-UMJ(40)

Fig.22



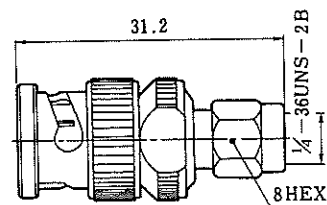
BNCP-MSSP(40)

Fig.23



BNCP-MSSJ(40)

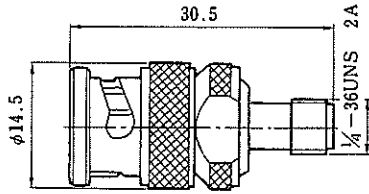
Fig.24



HRM-519(40)

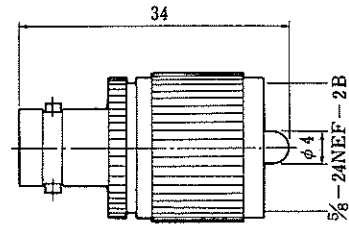
BWA SERIES RF CO-AXIAL CONNECTORS

Fig.25



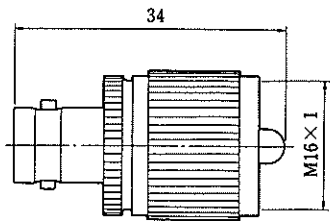
HRM-518(40)

Fig.26



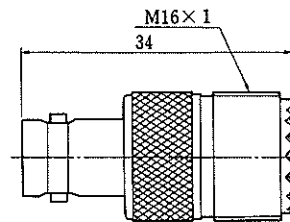
UG-273/U(40)

Fig.27



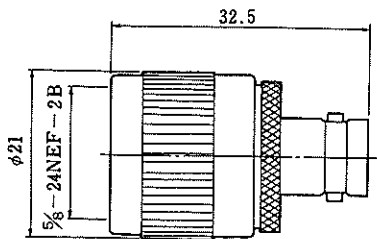
BNCJ-MP(40)

Fig.28



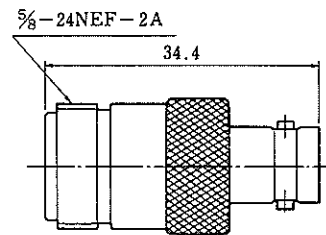
MJ-BNCJ(40)

Fig.29



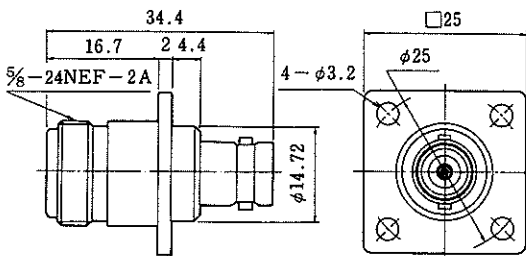
SP-BNCJ(40)

Fig.30



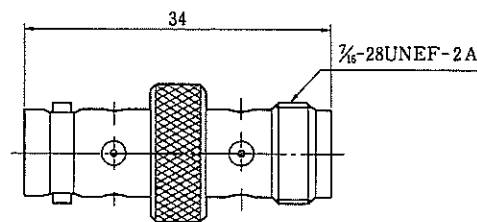
SJ-BNCJ(40)

Fig.31



SJ-BNCJ-PA(40)

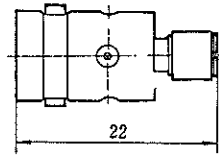
Fig.32



BNCJ-TNCJ(40)

BWA SERIES RF CO-AXIAL CONNECTORS

Fig.33



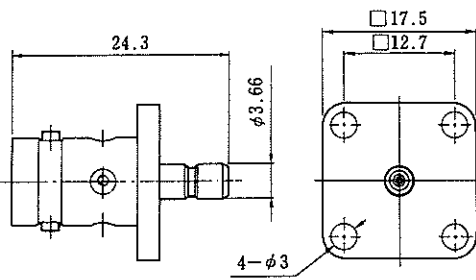
BNCJ-UMP(40)

Fig.34



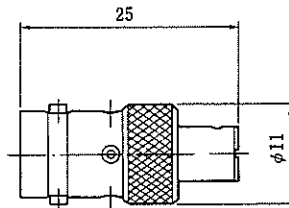
BNCJ-UMJ(40)

Fig.35



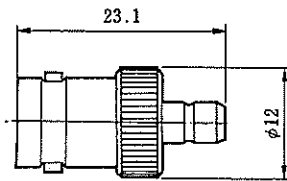
BNCJ-UMJ-PA(40)

Fig.36



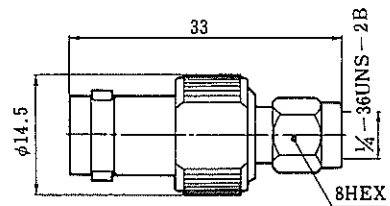
BNCJ-MSSP(40)

Fig.37



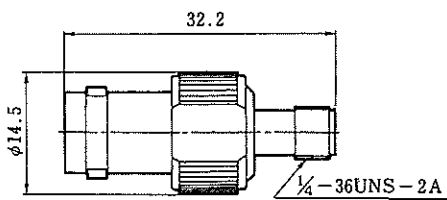
BNCJ-MSSJ(40)

Fig.38



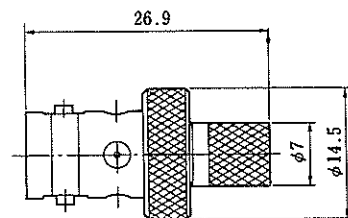
HRM-517(40)

Fig.39



HRM-516(40)

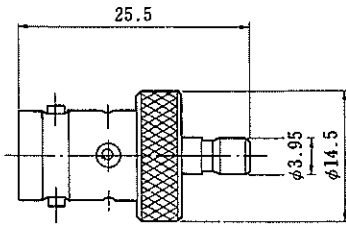
Fig.40



BNCJ-PODP(40)

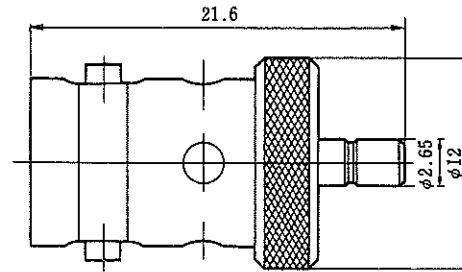
BWA SERIES RF CO-AXIAL CONNECTORS

Fig.41



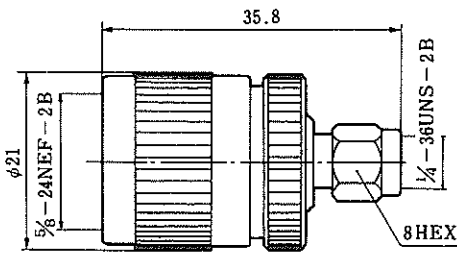
BNCJ-PODJ(40)

Fig.42



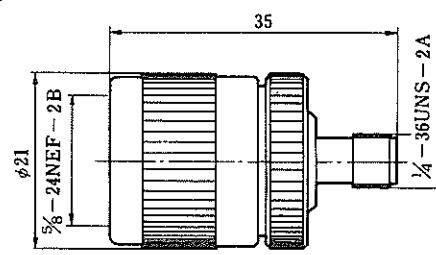
BNCJ-PO6J(40)

Fig.43



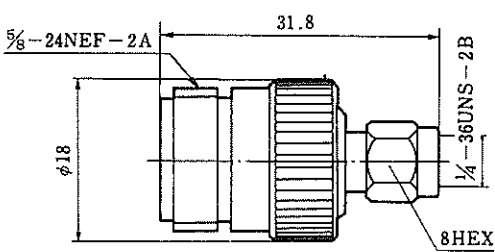
HRM-509(40)

Fig.44



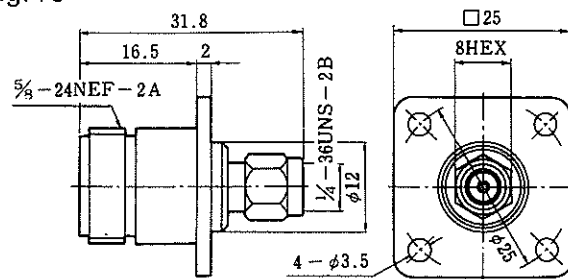
HRM-508(40)

Fig.45



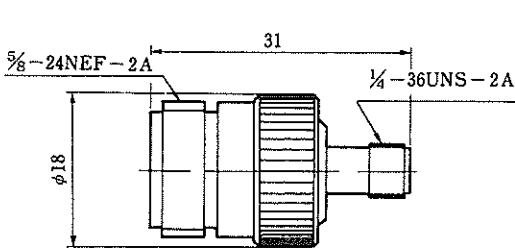
HRM-507(40)

Fig.46



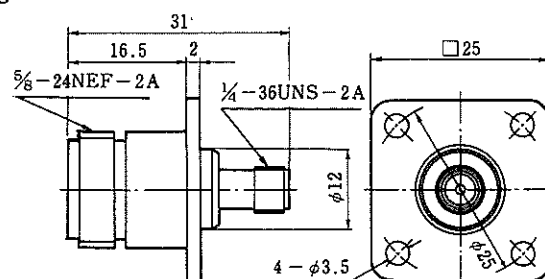
HRM-512(40) HRM-512S(40)

Fig.47



HRM-506(40)

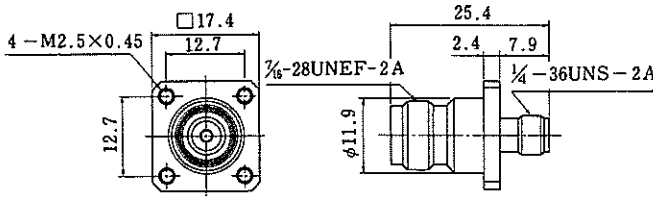
Fig.48



HRM-511(40) HRM-511S(40)

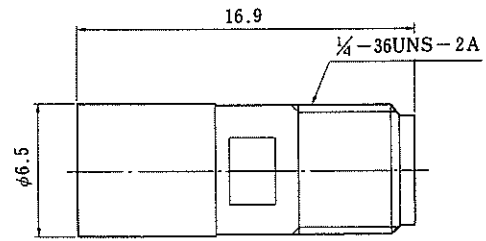
BWA SERIES RF CO-AXIAL CONNECTORS

Fig.49



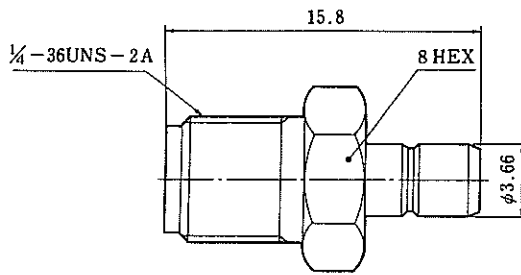
HRMJ-TNCJ-PA(40)

Fig.50



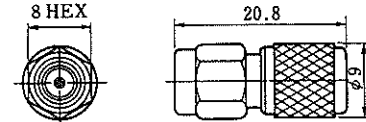
UM.P-HRM.J(40)

Fig.51



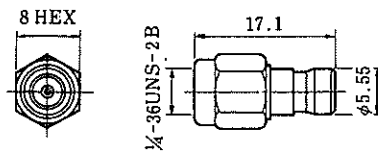
HRMJ-UMJ(40)

Fig.52



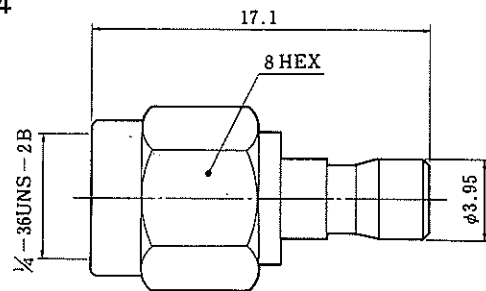
HRMP-POBP-1(40)

Fig.53



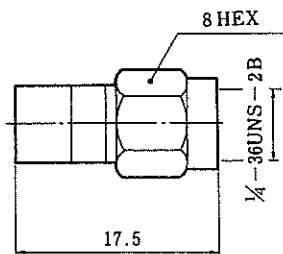
HRMP-POBJ

Fig.54



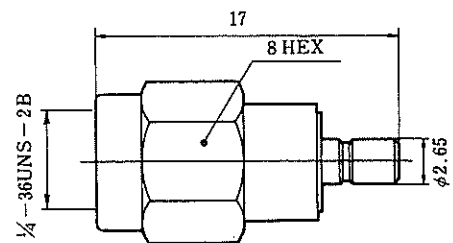
HRM.P-POD.J(40)

Fig.55



HRMP-POD1J(40)

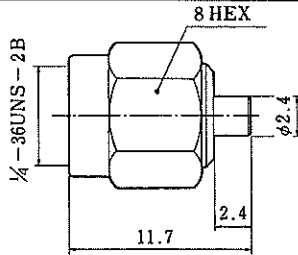
Fig.56



HRMP-PO6J(40)

BWA SERIES RF CO-AXIAL CONNECTORS

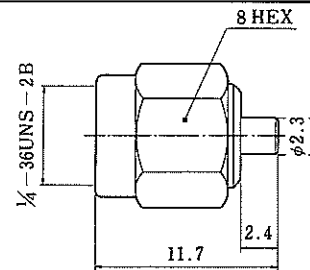
Fig.57



Note : The mating portion on the S. FL side mates with the S. FL and S. FL2 plugs. Having no locking mechanism, however, the S. FL side mating portion can be used only for performance measurement.

HRMP-S.FLJ-2(40)

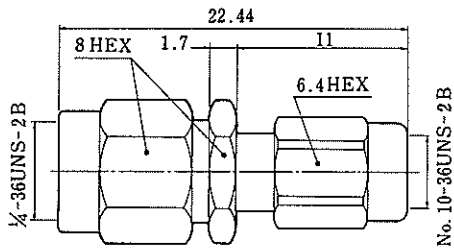
Fig.58



Note : Having no locking mechanism, however, the S. FL side mating portion can be used only for performance measurement.

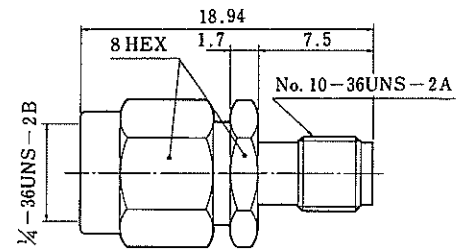
HRMP-H.FLJ(40)

Fig.59



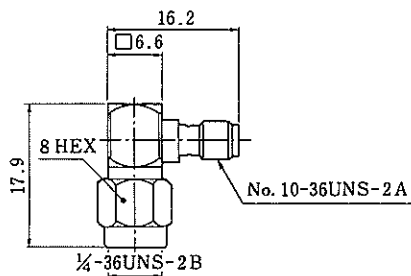
HRMP-HRMP(40)

Fig.60



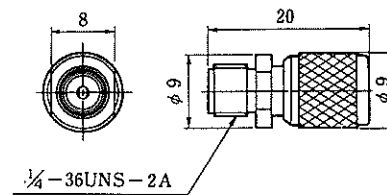
HRMP-HRMM(40)

Fig.61



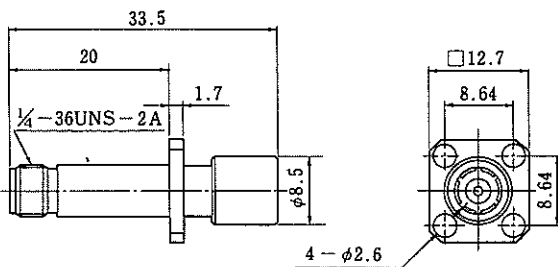
HRMP-HRMMJ-LA(40)

Fig.62



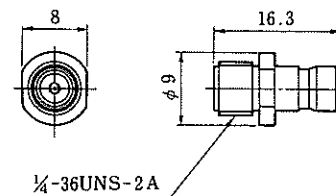
HRMJ-POBP(40)

Fig.63



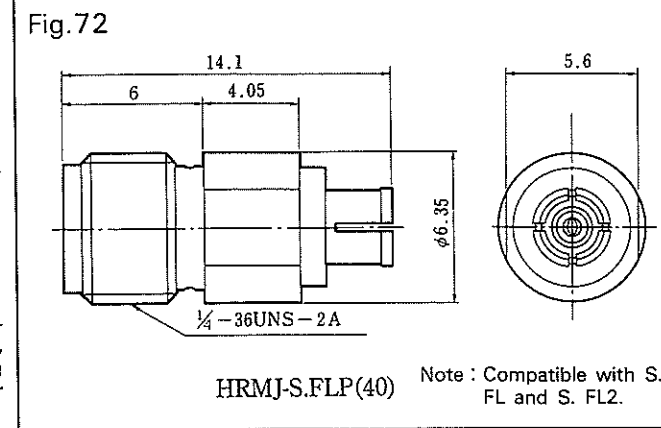
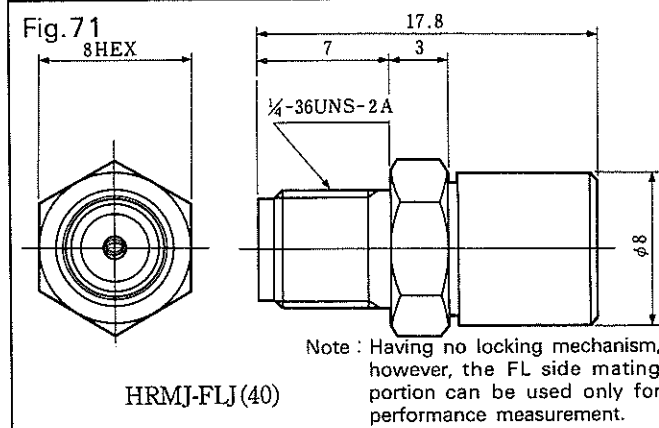
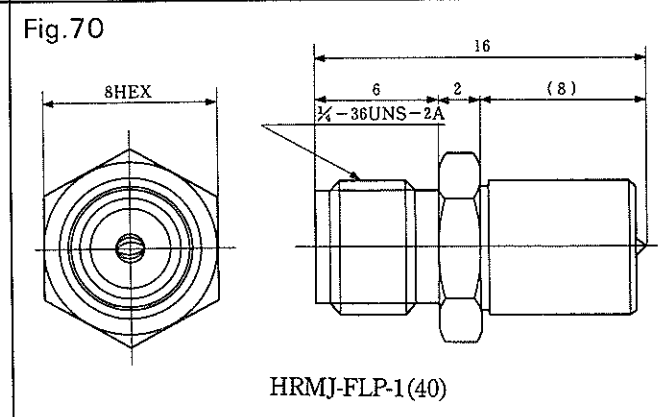
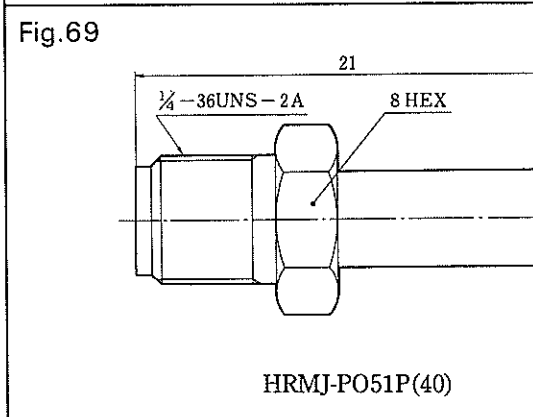
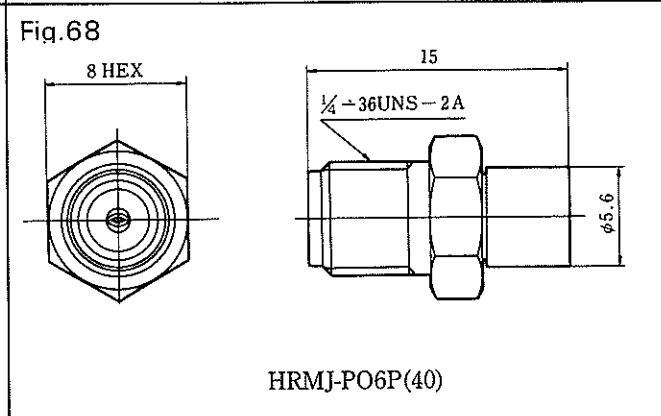
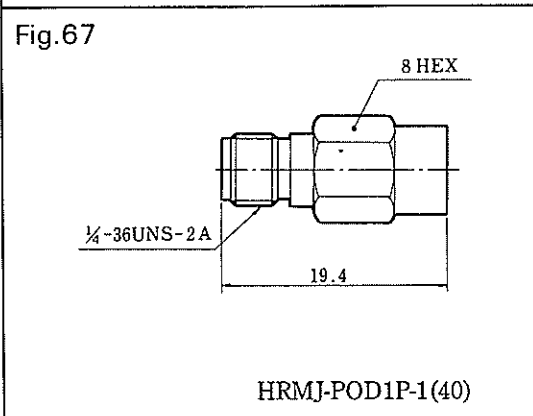
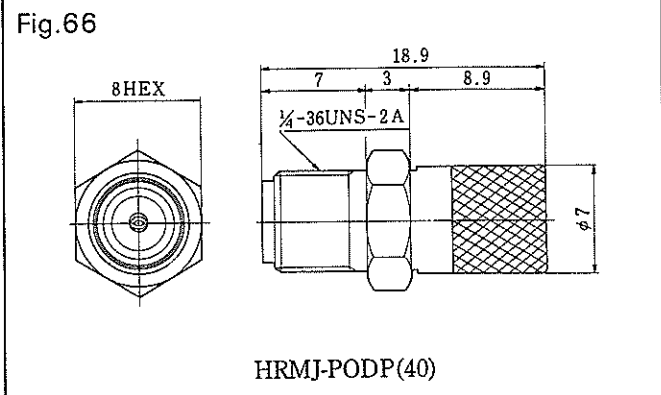
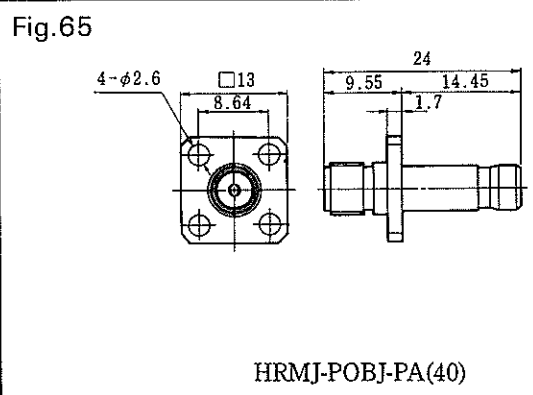
HRMJ-POBP-PA(40)

Fig.64



HRMJ-POBJ(40)

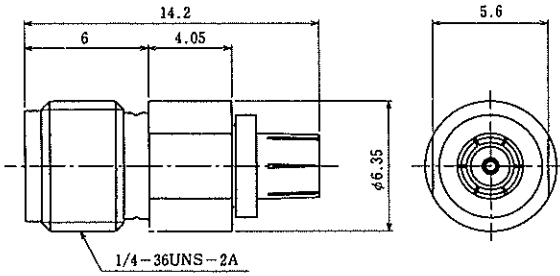
BWA SERIES RF CO-AXIAL CONNECTORS



Mar.1.2024 Copyright 2024 HIROSE ELECTRIC CO., LTD. All Rights Reserved.

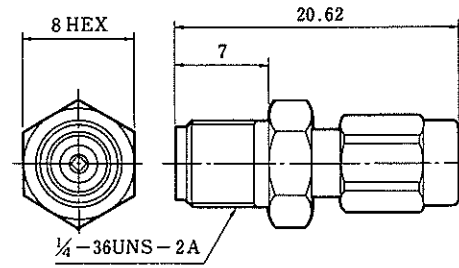
BWA SERIES RF CO-AXIAL CONNECTORS

Fig. 73



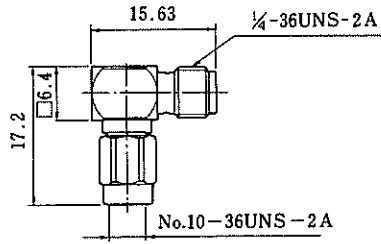
HRMJ-H.FLP-3(40)

Fig. 74



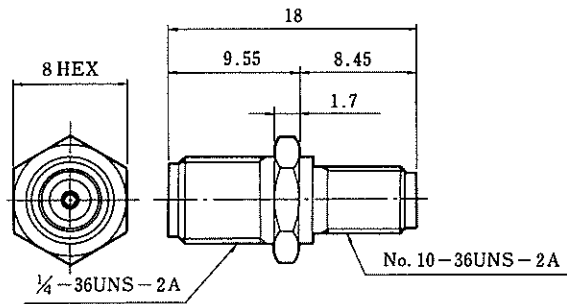
HRMJ-HRMMP-2

Fig. 75



HRMJ-HRMMP-LA(40)

Fig. 76



HRMJ-HRMMJ