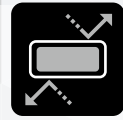


GT17 Series

Automotive 2.0mm Pitch Shielded Connector for Network and High-Speed Communication



Automotive



Shield



Secure-Lock



Oct.1.2024 Copyright 2024 HIROSE ELECTRIC CO., LTD. All Rights Reserved.



Features

1. All-Surface Shielded Design
2. Ideal for use as automotive shielded connector.
3. Highly reliable, robust lock design prevents accidental plug release

Applications

For in-vehicle data communication, etc.

Product Specifications

Rated Current	3A	Operating Temperature (Note)	-30 to +105°C
Rated Voltage	250V AC		

Items	Specifications	Conditions
Contact Resistance	Signal : 30m Ω Max. Outer : 60m Ω Max.	Measured at 1A DC
Insulation Resistance	100M Ω以上	Measured at 500V DC
Withstanding Voltage	No insulation breakdown	650V AC for 1 min.
Mating Durability	Contact Resistance : Signal : 60m Ω Max. Outer : 120m Ω Max.	30 Insertion/Extraction cycles

Note : Includes temperature rise due to current flow.

Mating Combinations

● 6pos.

Color	Plug : Right Angle Straight	Right Angle Receptacle Cable Egress Facing Upward	In-line Jack
Light Gray	GT17V-6DS-HU GT17VS-6DS-HU	GT17V-6DP-DS(70)	GT17VSN-6DP-HU GT17VSV-6DP-HU
Black	GT17VA-6DS-HU GT17VSA-6DS-HU	—	GT17VSNA-6DP-HU

● 8pos.

Color	Plug : Right Angle Straight	Right Angle Receptacle	
		Cable Egress Facing Upward	Cable Egress Facing Downward
Light Gray	GT17-8DS-HU GT17S-8DS-HU	GT17V-8DP-DS GT17V-8DP-DS-SB(55)	GT17VB-8DP-DS GT17VB-8DP-DS-SB(55)

● 10pos.

Color	Plug : Right Angle Straight	Right Angle Receptacle Cable Egress Facing Upward	Straight Receptacle	In-line Jack
Light Gray	GT17V-10DS-HU GT17VS-10DS-HU	GT17V-10DP-DS(70) GT17V-10DP-DS-SB(56)	GT17V-10DP-DSA(70)	GT17VSN-10DP-HU
Black	GT17VA-10DS-HU	—	GT17VA-10DP-DSA-SB	—

6pos. Right Angle Plug

The product consists of six parts.

(Housing, Insulation Case, Outer Terminal, Shield Plate, Retainer and Center Terminal)



● Housing

Part No.	HRS No.	Material	Color	Purchase Unit
GT17V-6DS-HU	CL0767-0029-8-00	PBT	Light Gray	100pcs per bag
GT17VA-6DS-HU	CL0767-0030-7-00		Black	

● Insulation Case

Part No.	HRS No.	Material	Color	Purchase Unit
GT17V-6DS-2C	CL0767-0026-0-00	PBT	Dark Gray	100pcs per bag

● Outer Terminal

Part No.	HRS No.	Material / Finish	Sheath Outer Diameter	Purchase Unit
GT17V-6DS-5CF	CL0767-0027-2-00	Copper Alloy / Tin Plating	φ 4.8 to 5.2	100pcs per bag
GT17V-6DS-3.8CF	CL0767-0075-5-00		φ 3.6 to 4.0	

● Shield Plate

Part No.	HRS No.	Material / Finish	Purchase Unit
GT17V-6DS-SC	CL0767-0028-5-00	Copper Alloy / Tin Plating	100pcs per bag

● Retainer

Part No.	HRS No.	Material	Color	Purchase Unit
GT17V-6DS-R	CL0767-0031-0-00	PBT	Dark Gray	100pcs per bag

● Center Terminal

Part No.	HRS No.	Material / Finish	Conductor Size	Insulator Outer Diameter	Purchase Unit
GT17-2022SCF	CL0767-0009-0-00	Copper Alloy / Tin Plating	20 to 22 AWG	φ 1.1 to 1.3	10,000pcs per reel
GT17-2428SCF	CL0767-0010-0-00		24 to 28 AWG	φ 0.7 to 1.0	

6pos. Straight Plug

The product consists of six parts.

(Housing, Insulation Case, Outer Terminal, Shield Plate, Retainer and Center Terminal)



● Housing

Part No.	HRS No.	Material	Color	Purchase Unit
GT17VS-6DS-HU	CL0767-0051-7-00	PBT	Light Gray	100pcs per bag
GT17VSA-6DS-HU	CL0767-0052-0-00		Black	

● Insulation Case

Part No.	HRS No.	Material	Color	Purchase Unit
GT17V-6DS-2C	CL0767-0026-0-00	PBT	Dark Gray	100pcs per bag

● Outer Terminal

Part No.	HRS No.	Material / Finish	Sheath Outer Diameter	Purchase Unit
GT17VS-6DS-5CF	CL0767-0050-4-00	Copper Alloy / Tin Plating	φ 4.8 to 5.2	100pcs per bag

● Shield Plate

Part No.	HRS No.	Material / Finish	Purchase Unit
GT17VS-6DS-SC	CL0767-0049-5-00	Copper Alloy / Tin Plating	100pcs per bag

● Retainer

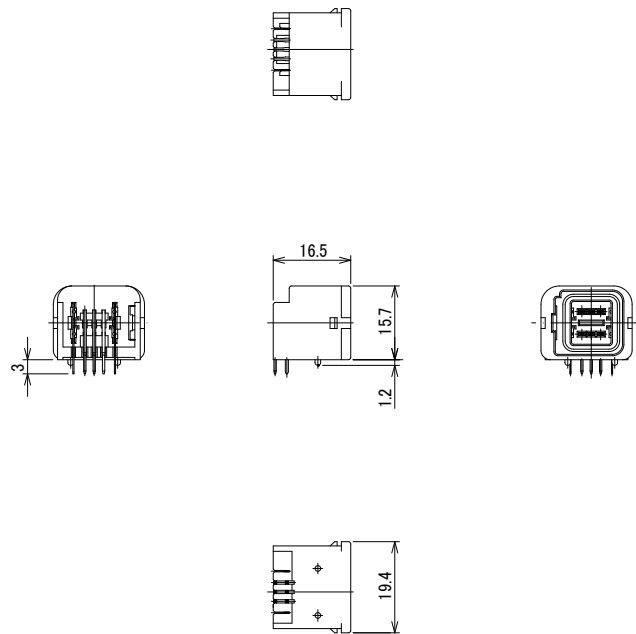
Part No.	HRS No.	Material	Color	Purchase Unit
GT17VS-6DS-R	CL0767-0053-2-00	PBT	Dark Gray	100pcs per bag

● Center Terminal

Part No.	HRS No.	Material / Finish	Conductor Size	Insulator Outer Diameter	Purchase Unit
GT17-2022SCF	CL0767-0009-0-00	Copper Alloy / Tin Plating	20 to 22 AWG	φ 1.1 to 1.3	10,000pcs per reel
GT17-2428SCF	CL0767-0010-0-00		24 to 28 AWG	φ 0.7 to 1.0	

6pos. Right Angle Receptacle

Cable Egress Facing Upward



Part No.	HRS No.	Material / Finish	Color	Purchase Unit
GT17V-6DP-DS(70)	CL0767-0024-4-70	Housing : PBT Center Terminal : Brass / Tin Plating Outer Terminal : Copper Alloy / Tin Plating	Light Gray	50pcs per tray

6pos. In-line Jack

The product consists of six parts.

(Housing, Insulation Case, Outer Terminal, Shield Plate, Retainer and Center Terminal)



● Housing

Part No.	HRS No.	Material	Color	Purchase Unit
GT17VSN-6DP-HU	CL0767-0077-0-00	PBT	Light Gray	100pcs per bag
GT17VSV-6DP-HU	CL0767-0128-0-00			
GT17VSN-6DP-HU	CL0767-0326-3-00		Black	

● Insulation Case

Part No.	HRS No.	Material	Color	Purchase Unit
GT17V-6DP-2C	CL0767-0078-3-00	PBT	Dark Gray	100pcs per bag

● Outer Terminal

Part No.	HRS No.	Material / Finish	Sheath Outer Diameter	Purchase Unit
GT17VS-6DP-5CF	CL0767-0080-5-00	Copper Alloy / Tin Plating	φ 4.8 to 5.0	100pcs per bag

● Shield Plate

Part No.	HRS No.	Material / Finish	Purchase Unit
GT17VS-6DP-SC	CL0767-0079-6-00	Copper Alloy / Tin Plating	100pcs per bag

● Retainer

Part No.	HRS No.	Material	Color	Purchase Unit
GT17VS-6DP-R	CL0767-0081-8-00	PBT	Dark Gray	100pcs per bag

● Center Terminal

Part No.	HRS No.	Material / Finish	Conductor Size	Insulator Outer Diameter	Purchase Unit
GT17-2022PCF	CL0767-0082-0-00	Brass / Tin Plating	20 to 22 AWG	φ 1.1 to 1.3	10,000pcs per reel
GT17-2428PCF	CL0767-0076-8-00		24 to 28 AWG	φ 0.7 to 1.0	
GT17A-2428PCF	CL0767-0121-0-00			φ 1.1 to 1.3	

8pos. Right Angle Plug

The product consists of six parts.
 (Housing, Insulation Case, Outer Terminal, Shield Plate, Retainer and Center Terminal)



● Housing

Part No.	HRS No.	Material	Color	Purchase Unit
GT17-8DS-HU	CL0767-0003-4-00	PBT	Light Gray	100pcs per bag

● Insulation Case

Part No.	HRS No.	Material	Color	Purchase Unit
GT17-8DS-2C	CL0767-0005-0-00	PBT	Dark Gray	100pcs per bag

● Outer Terminal

Part No.	HRS No.	Material / Finish	Sheath Outer Diameter	Purchase Unit
GT17-8DS-7CF(70)	CL0767-0007-5-70	Phosphor Bronze / Tin Plating	φ 6.8 to 7.2	100pcs per bag

● Shield Plate

Part No.	HRS No.	Material / Finish	Purchase Unit
GT17-8DS-SC(70)	CL0767-0006-2-70	Copper Alloy / Tin Plating	100pcs per bag

● Retainer

Part No.	HRS No.	Material	Color	Purchase Unit
GT17-8DS-R	CL0767-0008-8-00	PBT	Dark Gray	100pcs per bag

● Center Terminal

Part No.	HRS No.	Material / Finish	Conductor Size	Insulator Outer Diameter	Purchase Unit
GT17-2022SCF	CL0767-0009-0-00	Copper Alloy / Tin Plating	20 to 22 AWG	φ 1.1 to 1.3	10,000pcs per reel
GT17-2428SCF	CL0767-0010-0-00		24 to 28 AWG	φ 0.7 to 1.0	

8pos. Straight Plug

The product consists of six parts.

(Housing, Insulation Case, Outer Terminal, Shield Plate, Retainer and Center Terminal)



● Housing

Part No.	HRS No.	Material	Color	Purchase Unit
GT17S-8DS-HU	CL0767-0108-2-00	PBT	Light Gray	100pcs per bag

● Insulation Case

Part No.	HRS No.	Material	Color	Purchase Unit
GT17-8DS-2C	CL0767-0005-0-00	PBT	Dark Gray	100pcs per bag

● Outer Terminal

Part No.	HRS No.	Material / Finish	Sheath Outer Diameter	Purchase Unit
GT17S-8DS-7CF	CL0767-0106-7-00	Copper Alloy / Tin Plating	φ 6.8 to 7.2	100pcs per bag

● Shield Plate

Part No.	HRS No.	Material / Finish	Purchase Unit
GT17S-8DS-SC	CL0767-0107-0-00	Copper Alloy / Tin Plating	100pcs per bag

● Retainer

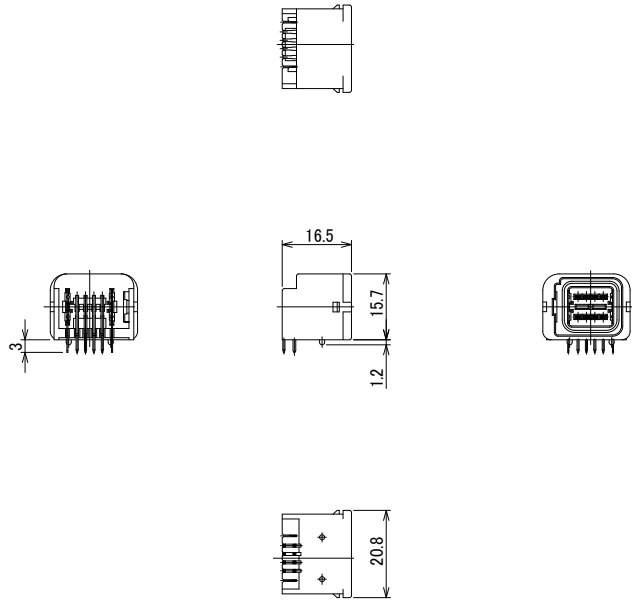
Part No.	HRS No.	Material	Color	Purchase Unit
GT17S-8DS-R	CL0767-0110-4-00	PBT	Dark Gray	100pcs per bag

● Center Terminal

Part No.	HRS No.	Material / Finish	Conductor Size	Insulator Outer Diameter	Purchase Unit
GT17-2022SCF	CL0767-0009-0-00	Copper Alloy / Tin Plating	20 to 22 AWG	φ 1.1 to 1.3	10,000pcs per reel
GT17-2428SCF	CL0767-0010-0-00		24 to 28 AWG	φ 0.7 to 1.0	

8pos. Right Angle Receptacle

Cable Egress Facing Upward

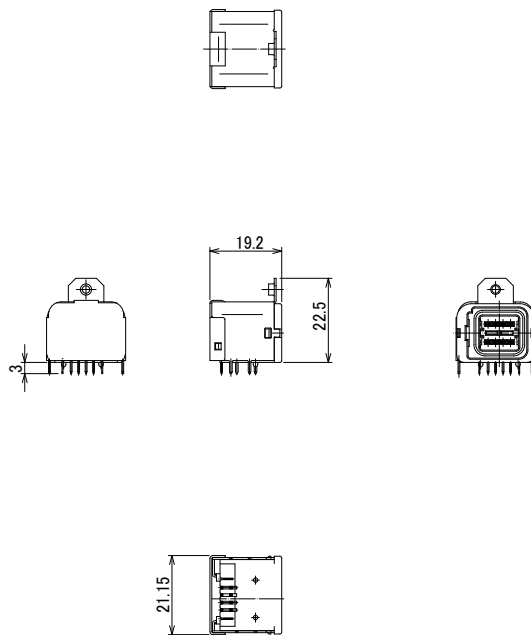


Part No.	HRS No.	Material / Finish	Color	Purchase Unit
GT17V-8DP-DS	CL0767-0139-6-00	Housing : PBT Center Terminal : Brass / Tin Plating Outer Terminal : Copper Alloy / Tin Plating	Light Gray	50pcs per tray

Cable Egress Facing Upward

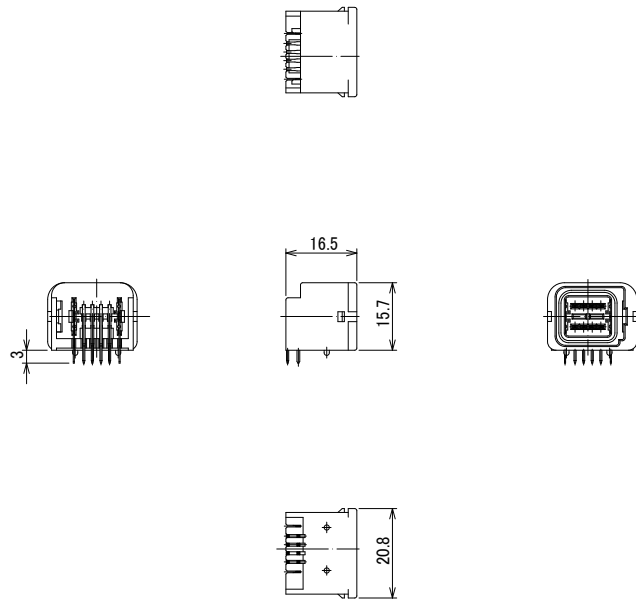


(Enhanced Shield Design)



Part No.	HRS No.	Material / Finish	Color	Purchase Unit
GT17V-8DP-DS-SB(55)	CL0767-0071-4-55	Housing : PBT Center Terminal : Brass / Tin Plating Outer Terminal : Copper Alloy / Tin Plating Shield Case : Brass / Tin Plating	Light Gray	40pcs per tray

Cable Egress Facing Downward

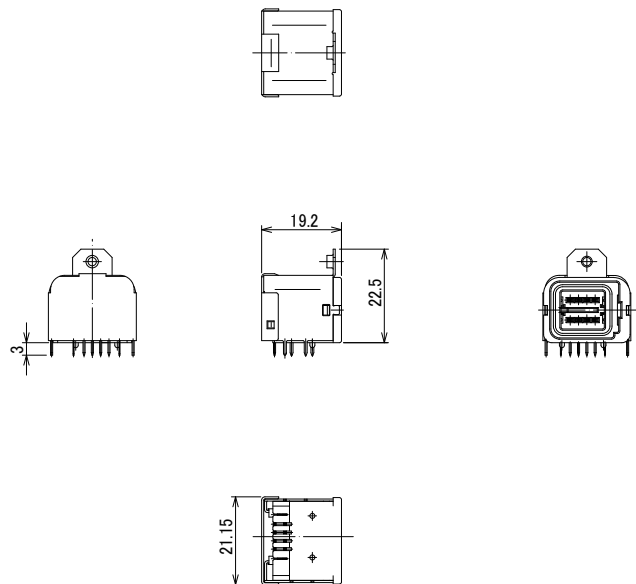


Part No.	HRS No.	Material / Finish	Color	Purchase Unit
GT17VB-8DP-DS	CL0767-0185-3-00	Housing : PBT Center Terminal : Brass / Tin Plating Outer Terminal : Copper Alloy / Tin Plating	Light Gray	50pcs per tray

Cable Egress Facing Downward



(Enhanced Shield Design)



Part No.	HRS No.	Material / Finish	Color	Purchase Unit
GT17VB-8DP-DS-SB(55)	CL0767-0123-6-55	Housing : PBT Center Terminal : Brass / Tin Plating Outer Terminal : Copper Alloy / Tin Plating Shield Case : Brass / Tin Plating	Light Gray	40pcs per tray

10pos. Right Angle Plug

The product consists of six parts.

(Housing, Insulation Case, Outer Terminal, Shield Plate, Retainer and Center Terminal)



● Housing

Part No.	HRS No.	Material	Color	Purchase Unit
GT17V-10DS-HU	CL0767-0039-1-00	PBT	Light Gray	100pcs per bag
GT17VA-10DS-HU	CL0767-0040-0-00		Black	

● Insulation Case

Part No.	HRS No.	Material	Color	Purchase Unit
GT17V-10DS-2C	CL0767-0036-3-00	PBT	Dark Gray	100pcs per bag

● Outer Terminal

Part No.	HRS No.	Material / Finish	Sheath Outer Diameter	Purchase Unit
GT17V-10DS-8CF	CL0767-0037-6-00	Copper Alloy / Tin Plating	φ 7.5 to 8.0	100pcs per bag

● Shield Plate

Part No.	HRS No.	Material / Finish	Purchase Unit
GT17V-10DS-SC	CL0767-0038-9-00	Copper Alloy / Tin Plating	100pcs per bag

● Retainer

Part No.	HRS No.	Material	Color	Purchase Unit
GT17V-10DS-R	CL0767-0041-3-00	PBT	Dark Gray	100pcs per bag

● Center Terminal

Part No.	HRS No.	Material / Finish	Conductor Size	Insulator Outer Diameter	Purchase Unit
GT17-2022SCF	CL0767-0009-0-00	Copper Alloy / Tin Plating	20 to 22 AWG	φ 1.1 to 1.3	10,000pcs per reel
GT17-2428SCF	CL0767-0010-0-00		24 to 28 AWG	φ 0.7 to 1.0	

10pos. Straight Plug

The product consists of six parts.

(Housing, Insulation Case, Outer Terminal, Shield Plate, Retainer and Center Terminal)



● Housing

Part No.	HRS No.	Material	Color	Purchase Unit
GT17VS-10DS-HU	CL0767-0061-0-00	PBT	Light Gray	100pcs per bag

● Insulation Case

Part No.	HRS No.	Material	Color	Purchase Unit
GT17V-10DS-2C	CL0767-0036-3-00	PBT	Dark Gray	100pcs per bag

● Outer Terminal

Part No.	HRS No.	Material / Finish	Sheath Outer Diameter	Purchase Unit
GT17VS-10DS-8CF	CL0767-0059-9-00	Copper Alloy / Tin Plating	φ 7.5 to 8.0	100pcs per bag

● Shield Plate

Part No.	HRS No.	Material / Finish	Purchase Unit
GT17VS-10DS-SC	CL0767-0060-8-00	Copper Alloy / Tin Plating	100pcs per bag

● Retainer

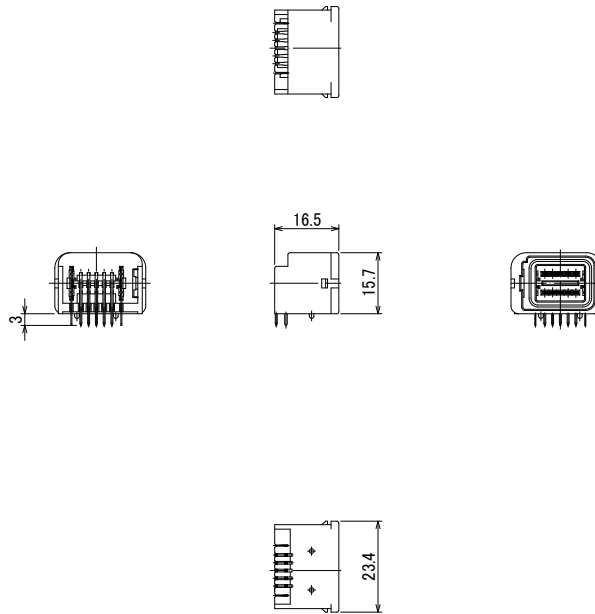
Part No.	HRS No.	Material	Color	Purchase Unit
GT17VS-10DS-R	CL0767-0063-6-00	PBT	Dark Gray	100pcs per bag

● Center Terminal

Part No.	HRS No.	Material / Finish	Conductor Size	Insulator Outer Diameter	Purchase Unit
GT17-2022SCF	CL0767-0009-0-00	Copper Alloy / Tin Plating	20 to 22 AWG	φ 1.1 to 1.3	10,000pcs per reel
GT17-2428SCF	CL0767-0010-0-00		24 to 28 AWG	φ 0.7 to 1.0	

10pos. Right Angle Receptacle

Cable Egress Facing Upward

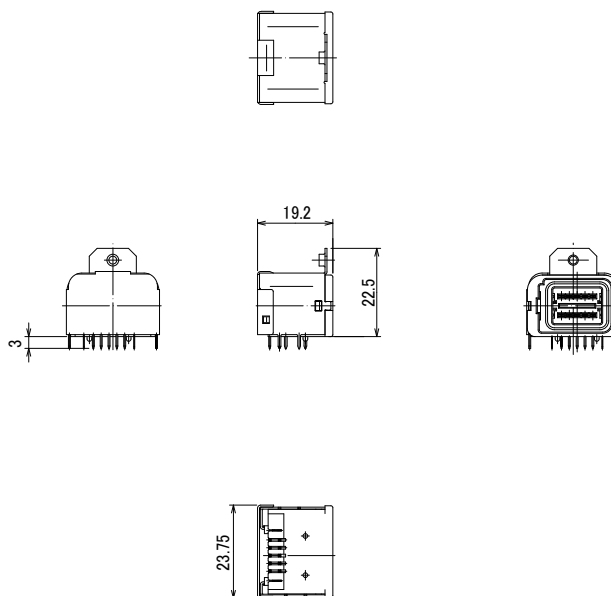


Part No.	HRS No.	Material / Finish	Color	Purchase Unit
GT17V-10DP-DS(70)	CL0767-0034-8-70	Housing : PBT Center Terminal : Brass / Tin Plating Outer Terminal : Copper Alloy / Tin Plating	Light Gray	50pcs per tray

Cable Egress Facing Upward

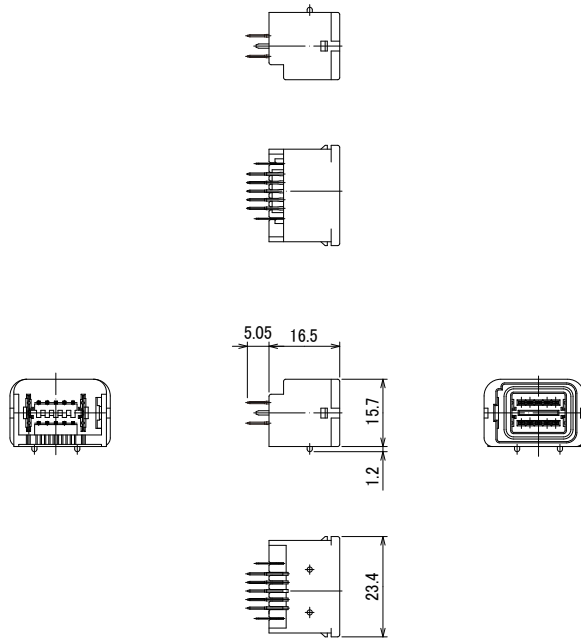


(Enhanced Shield Design)



Part No.	HRS No.	Material / Finish	Color	Purchase Unit
GT17V-10DP-DS-SB(56)	CL0767-0069-2-56	Housing : PBT Center Terminal : Brass / Tin Plating Outer Terminal : Copper Alloy / Tin Plating Shield Case : Brass / Tin Plating	Light Gray	40pcs per tray

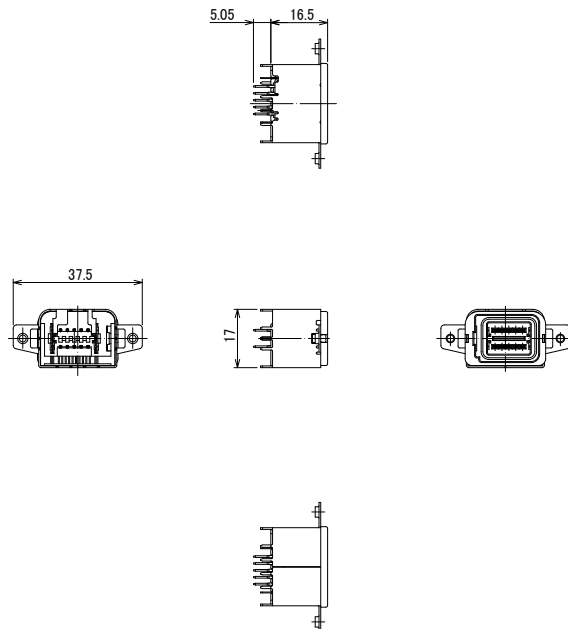
10pos. Straight Receptacle



Part No.	HRS No.	Material / Finish	Color	Purchase Unit
GT17V-10DP-DSA(70)	CL0767-0067-7-70	Housing : PBT Center Terminal : Brass / Tin Plating Outer Terminal : Copper Alloy / Tin Plating	Light Gray	40pcs per tray



(Enhanced Shield Design)



Part No.	HRS No.	Material / Finish	Color	Purchase Unit
GT17VA-10DP-DSA-SB	CL0767-0174-7-00	Housing : PBT Center Terminal : Brass / Tin Plating Outer Terminal : Copper Alloy / Tin Plating Shield Case : Brass / Tin Plating	Black	50pcs per tray

10pos. In-line Jack

The product consists of six parts.

(Housing, Insulation Case, Outer Terminal, Shield Plate, Retainer and Center Terminal)



● Housing

Part No.	HRS No.	Material	Color	Purchase Unit
GT17VSN-10DP-HU	CL0767-0115-8-00	PBT	Light Gray	100pcs per bag

● Insulation Case

Part No.	HRS No.	Material	Color	Purchase Unit
GT17V-10DP-2C	CL0767-0112-0-00	PBT	Dark Gray	100pcs per bag

● Outer Terminal

Part No.	HRS No.	Material / Finish	Sheath Outer Diameter	Purchase Unit
GT17VS-10DP-8CF	CL0767-0130-1-00	Copper Alloy / Tin Plating	φ 7.5 to 8.0	1,224pcs per bag

● Shield Plate

Part No.	HRS No.	Material / Finish	Purchase Unit
GT17VS-10DP-SC	CL0767-0113-2-00	Copper Alloy / Tin Plating	1,224pcs per bag

● Retainer

Part No.	HRS No.	Material	Color	Purchase Unit
GT17VS-10DP-8R	CL0767-0131-4-00	PBT	Dark Gray	100pcs per bag

● Center Terminal

Part No.	HRS No.	Material / Finish	Conductor Size	Insulator Outer Diameter	Purchase Unit
GT17-2022PCF	CL0767-0082-0-00	Brass / Tin Plating	20 to 22 AWG	φ 1.1 to 1.3	10,000pcs per reel
GT17-2428PCF	CL0767-0076-8-00		24 to 28 AWG	φ 0.7 to 1.0	
GT17A-2428PCF	CL0767-0121-0-00			φ 1.1 to 1.3	

Crimping Tools

Please ask your Hirose Electric representative for a user manual.

Automatic Crimping Machine



Product number CM-105C

Note 1 : Photo for reference only. Subject to change.

Note 2 : Please refer to the table below for applicator part numbers.

Specifications

Item	Specifications	Remarks
Press Capacity	1.5ton	-
Stroke Length	30mm	-
Number of Strokes	200spm (50Hz)	240spm (60Hz)
Weight	75kg	-
Motor	0.2kw	100V AC
Crimping Speed	2,000 to 4,000pcs/H	-

Applicator (for Mounting to Automatic Crimping Machines)

Terminal Part No.	Terminal HRS No.	Applicator Part No.	Applicator HRS No.
GT17-2022SCF	CL0767-0009-0-00	AP105-GT17-2022S	CL0901-5083-5-00
GT17-2428SCF	CL0767-0010-0-00	AP105-GT17-2428S	CL0901-5084-8-00
GT17-2022PCF	CL0767-0082-0-00	AP105-GT17-2022P	CL0901-5146-3-00
GT17-2428PCF	CL0767-0076-8-00	AP105-GT17-2428P	CL0901-5177-7-00

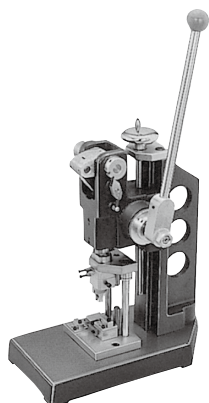
Note 1 : Different contact crimp heights are available for different cable types.
Please contact your Hirose Electric account representative for details.

Other cables will require different crimp height settings. Please note that this may take a few days.

Note 2 : When purchasing HRS equipment, please contact your Hirose Electric account representative to confirm that the cable that you plan to use for the applicable terminal has been evaluated.

Note 3 : The applicators and tools listed here may not be applicable depending on the specifications of the cable you use.

Hand Press



Product number HOS-7

Outer Terminal Caulking Tool (for Mounting Hand Press)

Terminal Part No.	Terminal HRS No.	Outer Terminal Caulking Tool Part No.	Outer Terminal Caulking Tool HRS No.
GT17V-6DS-5CF	CL0767-0027-2-00	GT17VS-6DS-5/CR-MP	CL0902-5099-1-00
		GT17VS-6DS-5/CR-MP(01)	CL0902-5099-1-01
		GT17VS-6DS-CH48/CR-MP	CL0902-5105-2-00
		GT17VS-6DS-CH48/CR-MP(01)	CL0902-5105-2-01
GT17V-6DS-3.8CF	CL0767-0075-5-00	GT17V-6DS-3.8/CR-MP	CL0902-5101-1-00
		GT17V-6DS-3.8/CR-MP(01)	CL0902-5101-1-01
GT17VS-6DS-5CF	CL0767-0050-4-00	GT17VS-6DS-5/CR-MP	CL0902-5099-1-00
		GT17VS-6DS-5/CR-MP(01)	CL0902-5099-1-01
GT17VS-6DP-5CF	CL0767-0080-5-00	GT17VS-6DP-5/CR-MP	CL0902-5088-5-00
		GT17VS-6DP-5/CR-MP(01)	CL0902-5088-5-01
GT17S-8DS-7CF	CL0767-0106-7-00	GT17S-8DS-7/CR-MP	CL0902-5090-7-00
		GT17S-8DS-7/CR-MP(01)	CL0902-5090-7-01
GT17V-10DS-8CF	CL0767-0037-6-00	GT17V-10DS/CR-MP	CL0902-5057-1-00
		GT17V-10DS/CR-MP(01)	CL0902-5057-1-01
GT17VS-10DS-8CF	CL0767-0059-9-00	GT17V-10DS/CR-MP	CL0902-5057-1-00
		GT17V-10DS/CR-MP(01)	CL0902-5057-1-01

Note 1 : The outer shell caulking tool with (01) specifications is sold as a bundle with the HOS-7 hand press.

Note 2 : Different contact crimp heights are available for different cable types.

Please contact your Hirose Electric account representative for details.

Please note that we will need to define new crimp heights for novel cables and this may take a few days.

Note 3 : When purchasing HRS equipment, please contact your Hirose Electric account representative to confirm that the cable that you plan to use for the applicable terminal has been evaluated.

Note 4 : The applicators and tools listed here may not be applicable depending on the specifications of the cable you use.

While Taking into Consideration

Specifications mentioned in this catalog are reference values.

When considering to order or use this product, please review the Drawing and Product Specifications sheets.

Use an appropriate cable when using the connector in combination with cables.

If considering usage of a non-specified cable, please contact your sales representative.

If assembly process is done by jigs & tools which are not identified by Hirose, the warranty of the product may be affected.

If considering usage for below mentioned applications, please contact your sales representative.

In cases where the application will demand a high level of reliability, such as automotive, medical instruments, public infrastructure, aerospace/defense etc. Hirose must review before assurance of reliability can be given.

HIROSE**HIROSE ELECTRIC CO.,LTD.**2-6-3 Nakagawa Chuoh, Tsuzuki-Ku, Yokohama-Shi 224-8540, JAPAN
<https://www.hirose.com>