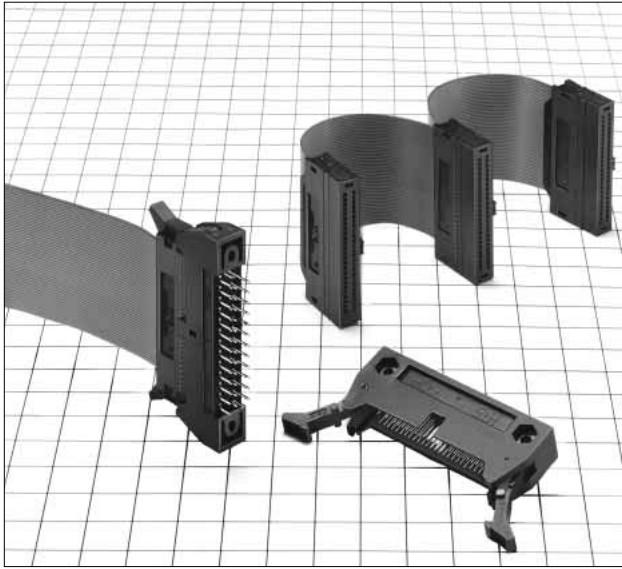


0.635mm Pitch ID Cable Connectors

HIF6H Series



■ Features

1. Batch Insulation Displacement of 0.635mm Pitch ID Cable Connector

The 0.635mm pitch cable can be insulated and displaced at a time. HIF6 series is displaced two sheets cable with one sheet cable.

2. Applicable Cable 30 AWG

The applicable cable is 30 AWG cable.

3. Achieve Bus-line Connection

This connector allows connection to No. 1 pin. By changing the cover, bus-line connection can be allowed.

4. Compatibility

This connector allows engagement with the HIF6A(B) series header. However, the lock header is used for the HIF6H series only.

Note : HIF6H series should be ordered together with the cable.

■ Product Specifications

Rating	Current rating : 0.5A Voltage rating : 125V AC	Operating Temperature Range : -55 to +85°C(Note 1) Operating Moisture Range : 40 to 80%	Storage Temperature Range : -10 to +60°C(Note 2) Storage Humidity Range : 40 to 70%(Note 2)
--------	---	--	--

Item	Specification	Condition
1. Insulation Resistance	1000MΩ min.	250V DC
2. Withstanding voltage	No flashover or insulation breakdown.	300V AC/1 minute
3. Contact Resistance	30mΩ max.	0.1A
4. Vibration	No electrical discontinuity of 1μs or more	Frequency : 10 to 55 Hz, single amplitude of 0.75 mm, 2 hours in each of the 3 directions.
5. Humidity (Steady state)	Insulation resistance : 1000MΩ min.	96 hours at temperature of 40°C and humidity of 90% to 95%
6. Temperature Cycle	No damage, cracks, or parts looseness.	(-65°C : 30 minutes -> 15 to 35°C : 5 minutes max. 125°C : 30 minutes-> 15 to 35°C : 5 minutes max.) 5 cycles
7. Durability (Mating/un-mating)	Contact resistance : 30mΩ max.	500 cycles
8. Resistance to Soldering heat	No deformation of components affecting performance.	Solder Bath : 260°C for 10 seconds
		Manual soldering : 360°C for 5 seconds

Note 1 : Includes temperature rise caused by current flow.

Note 2 : The term "storage" refers to products stored for long period of time prior to mounting and use. Operating Temperature Range and Humidity range covers non conducting condition of installed connectors in storage, shipment or during transportation.

■ Materials / Finish

Part	Material	Finish	Remarks
Insulator	PBT	Black	UL94V-0
Socket Contact	Copper alloy	Selective gold plated	—
Pin header contact	Brass		

■ Product Number Structure

Refer to the chart below when determining the product specifications from the product number.
Please select from the product numbers listed in this catalog when placing orders.

● Pin Header

HIF6H - * P A - 1.27 DSA

① ② ③ ④ ⑤ ⑥

①	Series Name	: HIF 6H
②	Number of contacts	: 34, 40, 50, 60, 80, 100
③	P	: Pin header
④	A	: Selective gold plating
⑤	Contact Pitch	: 1.27mm
⑥	Contact style	: DS : Right angle type DSA : Straight type

● Socket

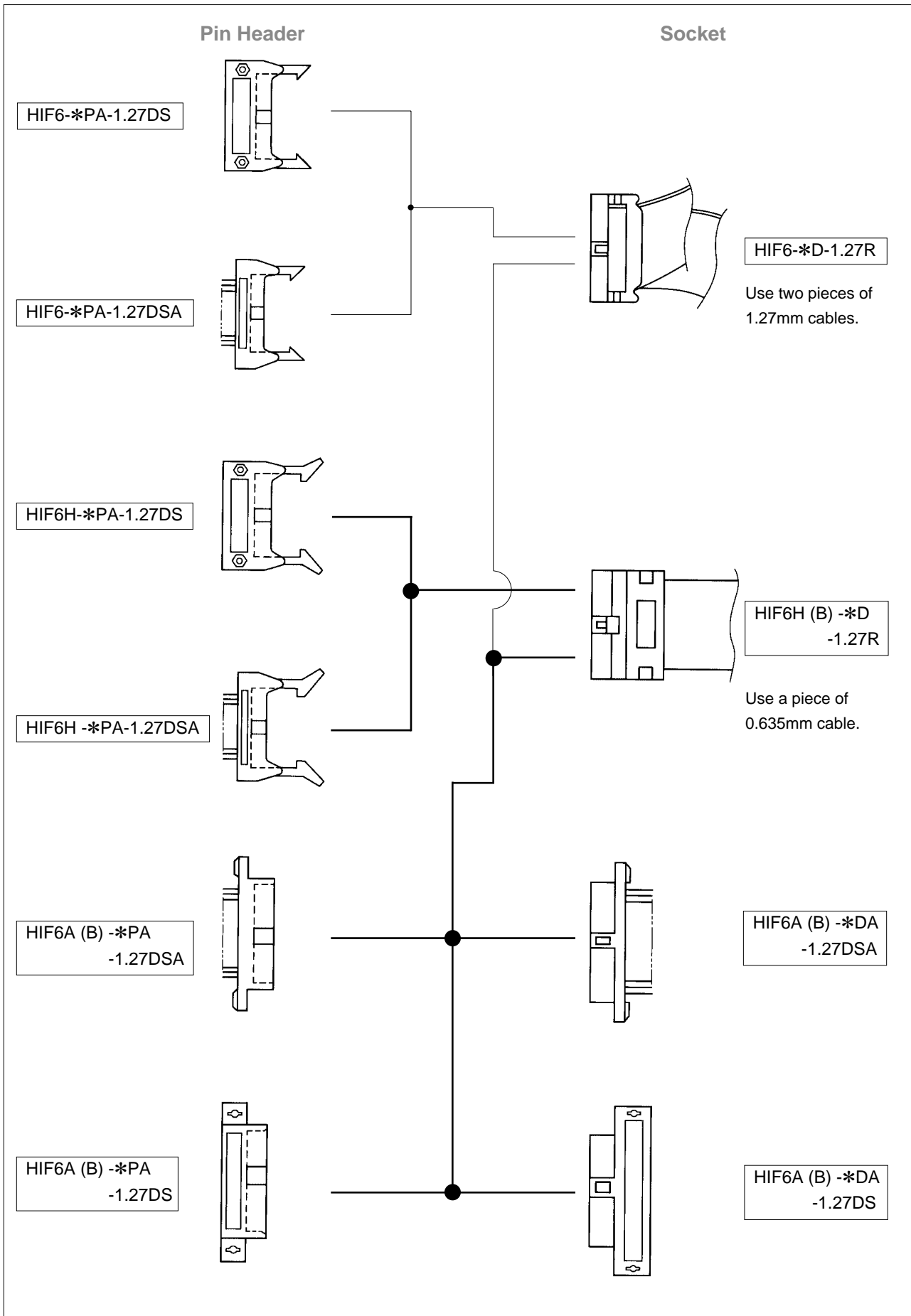
HIF6H - * D - 1.27 R

① ② ③ ④ ⑤

①	Series Name	: HIF6H : Standard type HIF6HB : Bus connection type
②	Number of contacts	: 34, 40, 50, 60, 80, 100
③	D	: Socket
④	Contact Pitch	: 1.27mm
⑤	R	: ID type

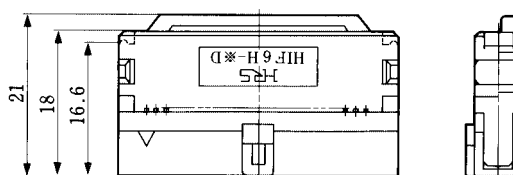
* If needed, please order HIF6H series connectors with cable attached.
Designate the connection circuit and cable length.

◆Function Block Chart



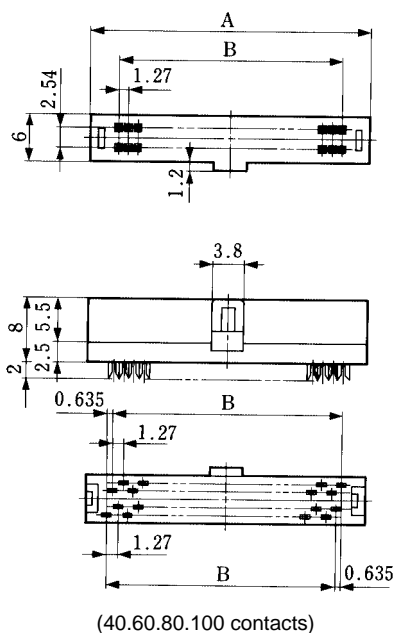
Nov.1.2021 Copyright 2021 HIROSE ELECTRIC CO., LTD. All Rights Reserved.

Socket

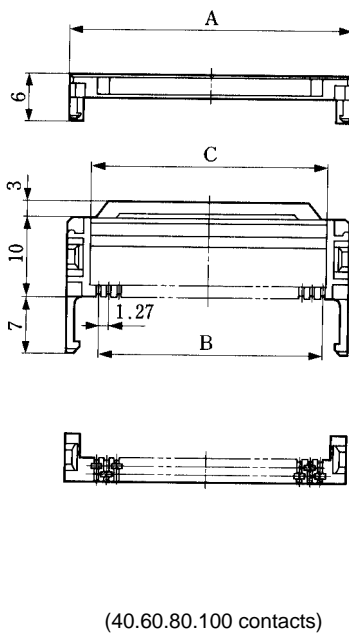


Combination Pattern

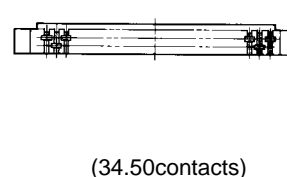
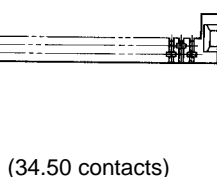
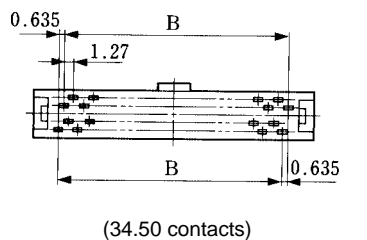
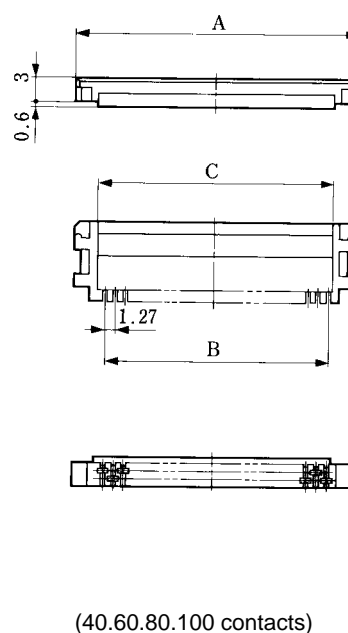
Body



Cover B



Cover A



Unit : mm

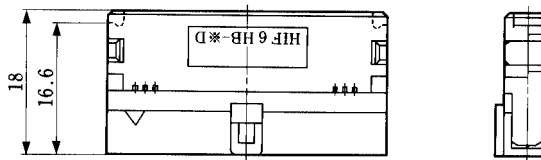
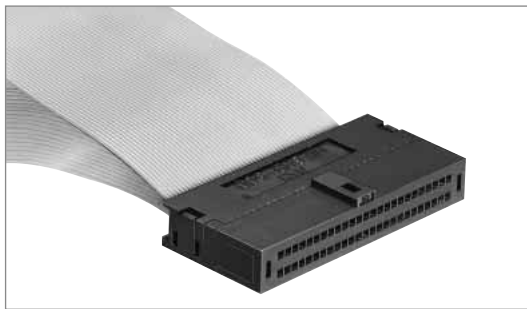
Part No.	No. of Contacts	A	B	C	RoHS
HIF6H- 34D-1.27R(20)	34	27.44	20.32	21.84	YES
HIF6H- 40D-1.27R(20)	40	31.25	24.13	25.65	
HIF6H- 50D-1.27R(20)	50	37.60	30.48	32.00	
HIF6H- 60D-1.27R(20)	60	43.95	36.83	38.35	
HIF6H- 80D-1.27R(20)	80	56.65	49.53	51.05	
HIF6H-100D-1.27R(20)	100	69.35	62.23	63.75	

* If needed, please order HIF6H series connectors with cable attached.

Designate the connection circuit and cable length on catalog pages B94 and B95.

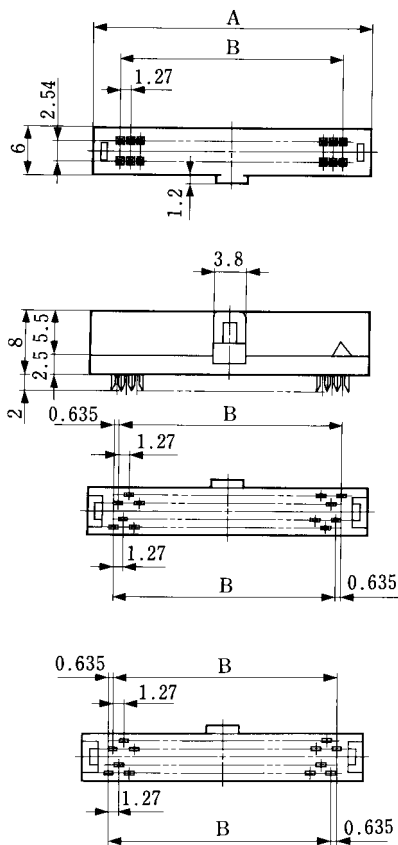
Please note that even when socket units are purchased, wiring will not be possible other than at Hirose Electric.

■ Socket for bus-line connection



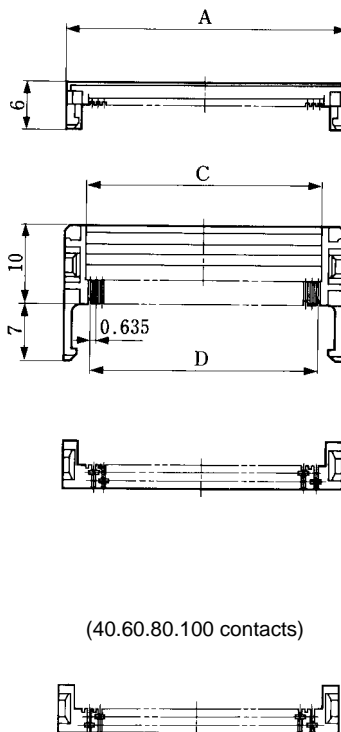
Combination Pattern

Body



(34.50 contacts)

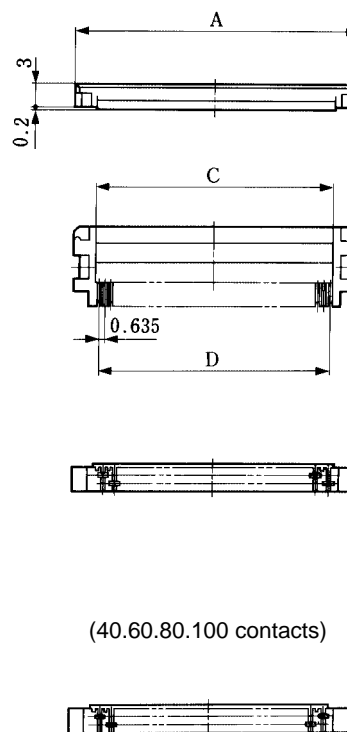
Cover B



(40.60.80.100 contacts)

(34.50 contacts)

Cover A



(40.60.80.100 contacts)

(34.50contacts)

Unit : mm

Part No.	No. of Contacts	A	B	C	D	RoHS
HIF6HB- 34D-1.27R(20)	34	27.44	20.32	21.84	20.955	YES
HIF6HB- 40D-1.27R(20)	40	31.25	24.13	25.65	24.765	
HIF6HB- 50D-1.27R(20)	50	37.60	30.48	32.00	31.115	
HIF6HB- 60D-1.27R(20)	60	43.95	36.83	38.35	37.465	
HIF6HB- 80D-1.27R(20)	80	56.65	49.53	51.05	50.165	
HIF6HB-100D-1.27R(20)	100	69.35	62.23	63.75	62.865	

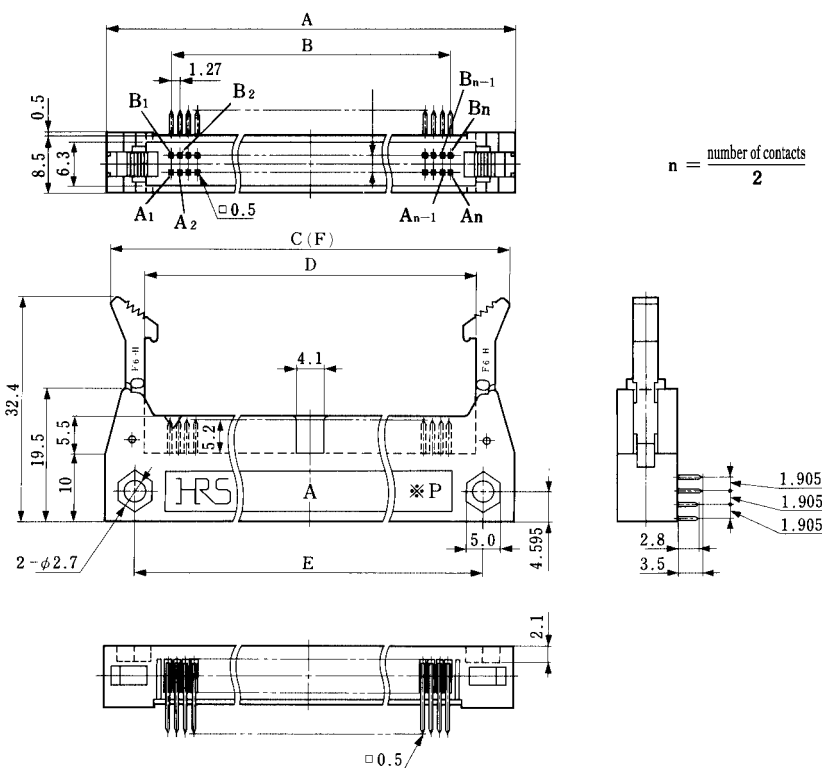
* Please order HIF6H series connectors with cable attached.

Designate the connection circuit and cable length on pages B94 and B95.

Please note that even when socket units are purchased, wiring will not be possible other than at Hirose Electric.

Nov.1.2021 Copyright 2021 HIROSE ELECTRIC CO., LTD. All Rights Reserved.

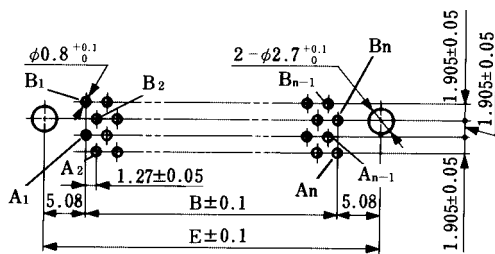
Right Angle Pin Header



PCB mounting pattern

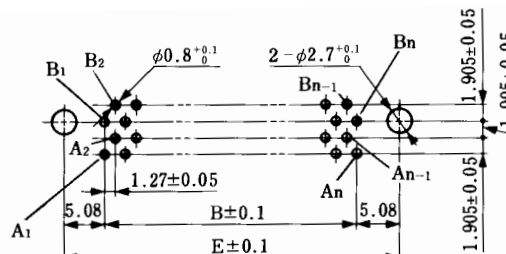
● indicates mark positions.

Mating Side



(40.60.80.100 contacts)

Mating Side

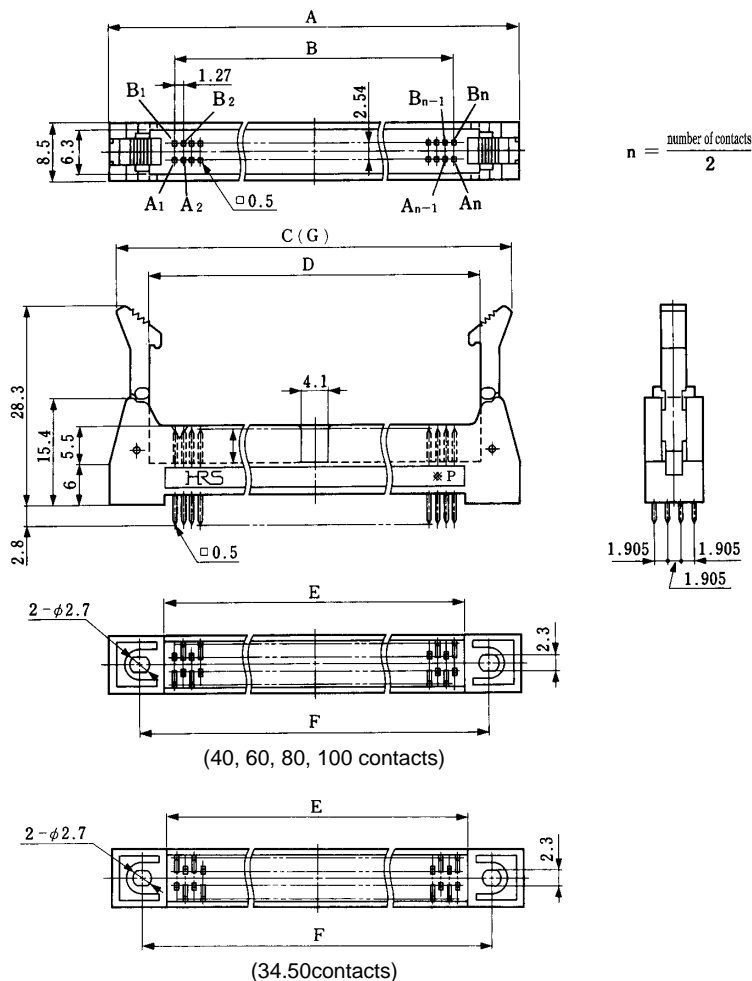


(34.50 contacts)

Unit : mm

Part No.	HRS No.	No. of Contacts	A	B	C	D	E	F	RoHS
HIF6H- 34PA-1.27DS(71)	630-0166-4 71	34	39.84	20.32	38.24	27.64	30.48	59.64	YES
HIF6H- 40PA-1.27DS(71)	630-0161-0 71	40	43.65	24.13	42.05	31.45	34.29	63.45	
HIF6H- 50PA-1.27DS(71)	630-0162-3 71	50	50.00	30.48	48.00	37.80	40.64	69.80	
HIF6H- 60PA-1.27DS(71)	630-0163-6 71	60	56.35	36.83	54.75	44.15	46.99	76.15	
HIF6H- 80PA-1.27DS(71)	630-0164-9 71	80	69.05	49.53	67.45	56.85	59.69	88.85	
HIF6H-100PA-1.27DS(71)	630-0165-1 71	100	81.75	62.23	80.15	69.55	72.39	101.55	

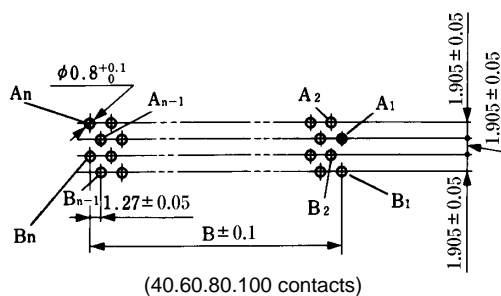
■ Straight Pin Header



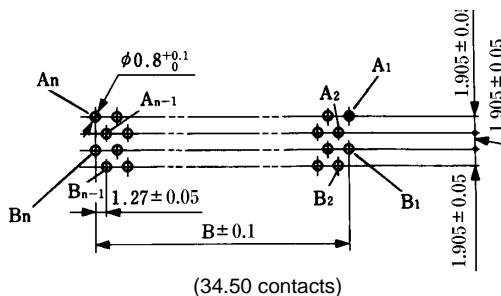
◆ PCB mounting pattern

● indicates mark positions.

Guide Key Side



Guide Key Side

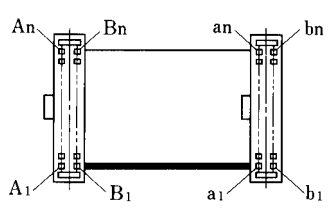
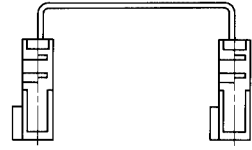
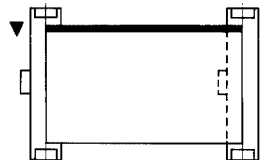


Unit : mm

Part No.	HRS No.	No. of Contacts	A	B	C	D	E	F	G	RoHS
HIF6H- 34PA-1.27DSA(71)	630-0176-8 71	34	39.84	20.32	38.24	27.64	23.84	30.48	59.64	YES
HIF6H- 40PA-1.27DSA(71)	630-0171-4 71	40	43.65	24.13	42.05	31.45	27.65	34.29	63.45	
HIF6H- 50PA-1.27DSA(71)	630-0172-7 71	50	50.00	30.48	48.00	37.80	34.00	40.64	68.80	
HIF6H- 60PA-1.27DSA(71)	630-0173-0 71	60	56.35	36.83	54.75	44.15	40.35	46.99	76.15	
HIF6H- 80PA-1.27DSA(71)	630-0174-2 71	80	69.05	49.53	67.45	56.85	53.05	59.69	88.85	
HIF6H-100PA-1.27DSA(71)	630-0175-5 71	100	81.75	62.23	80.15	69.55	65.75	72.39	101.55	

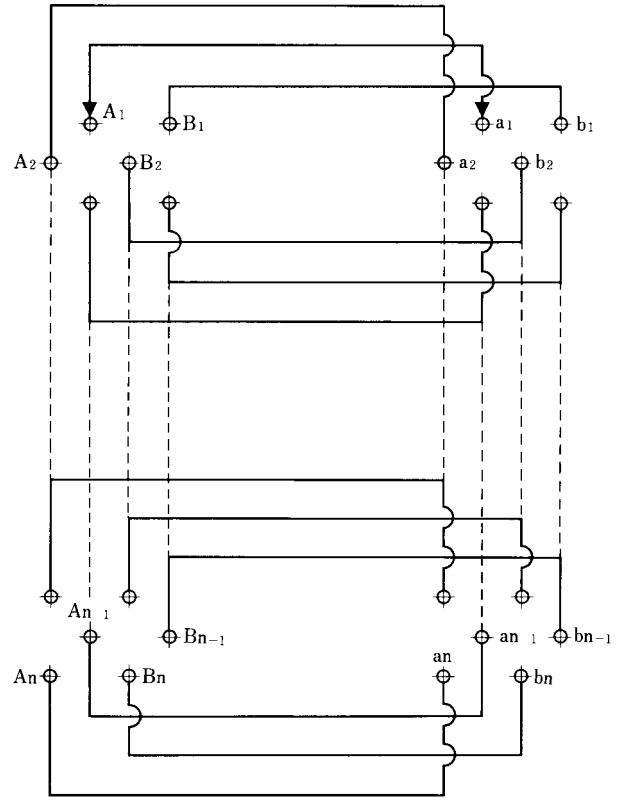
◆ Connection Circuit Diagram 40, 60, 80 and 100 contacts

Type AA

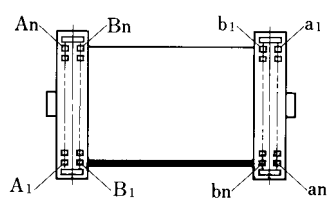
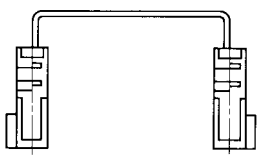
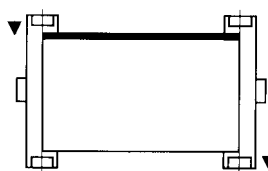


Cable connection

A ₁	—	a ₁	B ₁	—	b ₁
A ₂	—	a ₂	B ₂	—	b ₂
⋮		⋮			⋮
A _n	—	a _n	B _n	—	b _n

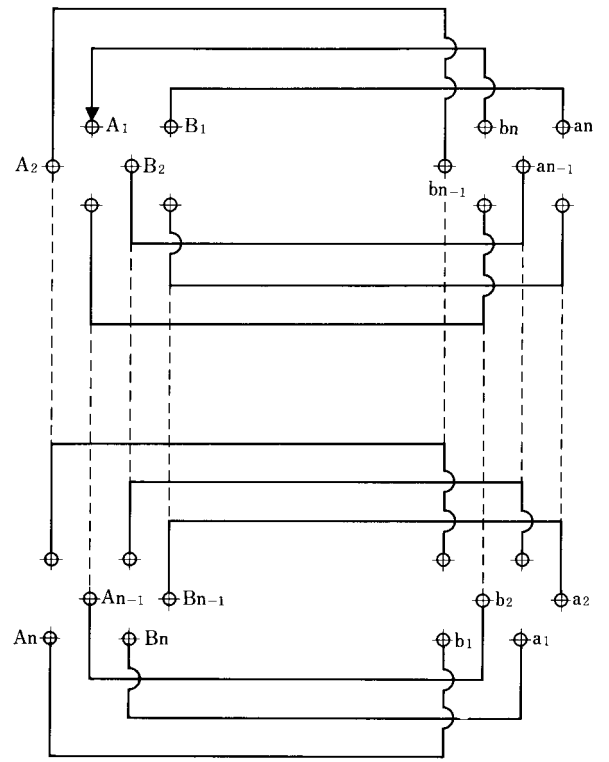


Type AB



Cable connection

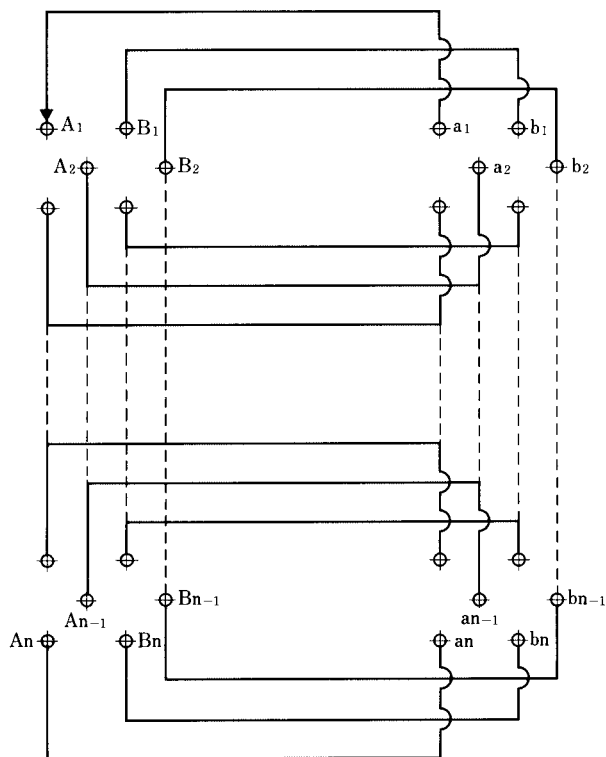
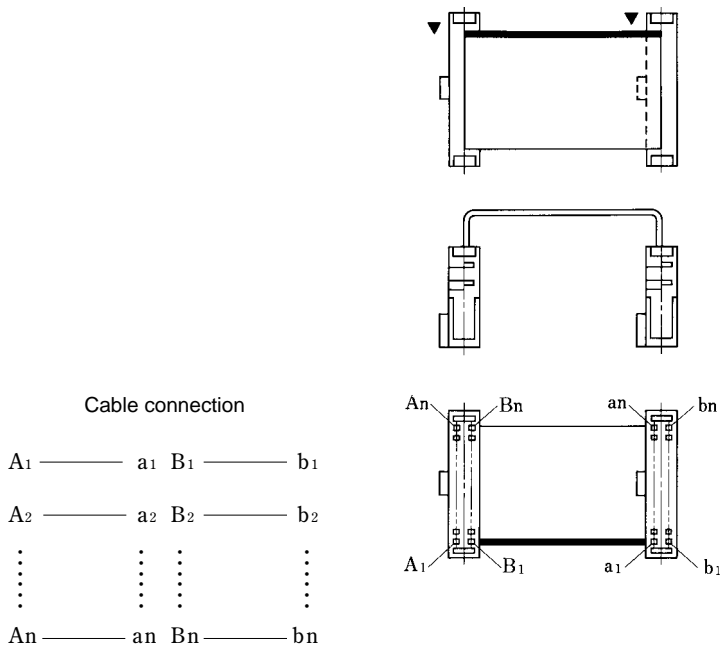
A ₁	—	b _n	B ₁	—	a _n
A ₂	—	b _{n-1}	B ₂	—	a _{n-1}
⋮		⋮			⋮
A _n	—	b ₁	B _n	—	a ₁



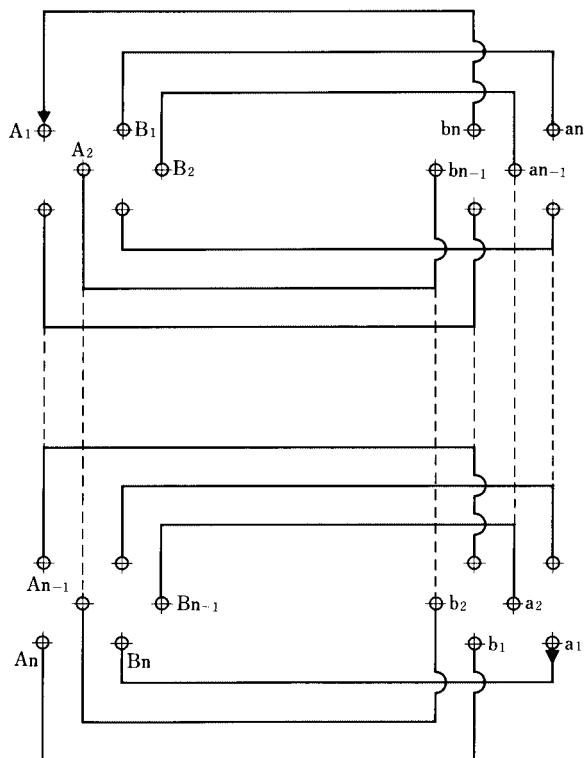
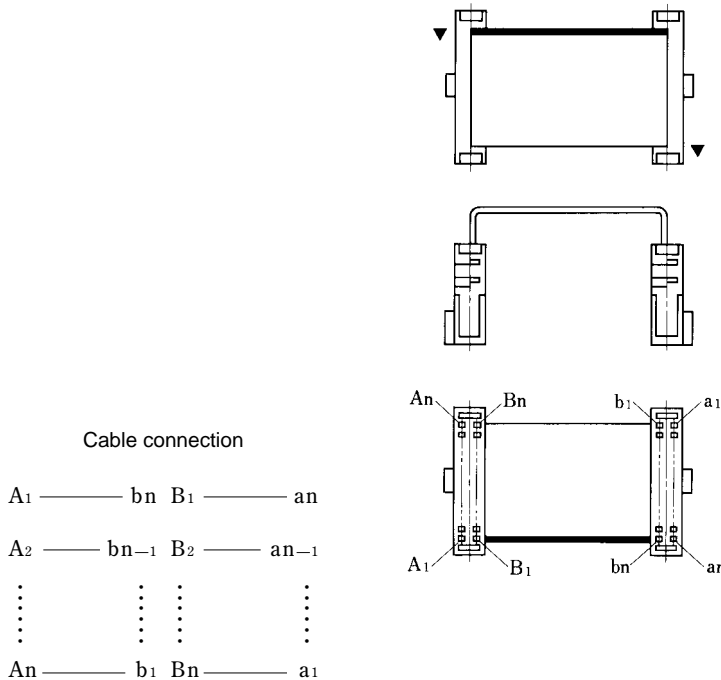
Nov.1.2021 Copyright 2021 HIROSE ELECTRIC CO., LTD. All Rights Reserved.

◆ Connection Circuit Diagram 34, 50 contacts

Type AA



Type AB



Nov.1.2021 Copyright 2021 HIROSE ELECTRIC CO., LTD. All Rights Reserved.