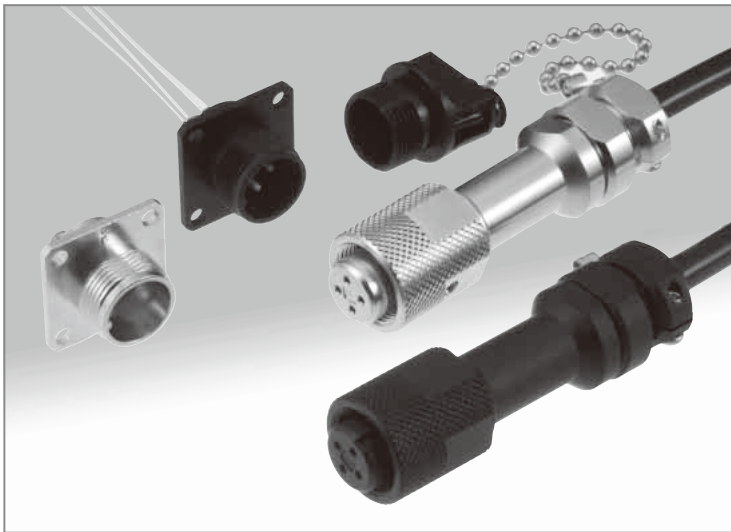


Subminiature, Waterproof 4 pos. Fiber Optic Connectors

MF12S Series



■ Features

1. Compact size

Using the widely accepted MU connector ferrule (1.25 mm dia.), assembled in a one-piece shell and internal housing, the waterproof connectors can be used in space-restricted applications.

2. Used in harsh outdoor environments

Tested for 500 hour in salt-fog the connectors are IP67 rated, fully mated or with protective caps.

3. High intensity fiber optic cable

Typical FO cable is the light weight and flexible 7.5 mm outside diameter military type.

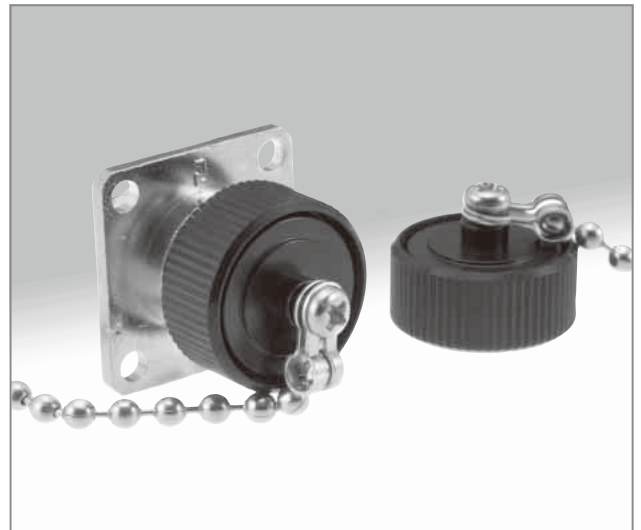
Other types of cables can be also accommodated (consult Hirose).

4. Coupling wrench

Optional coupling wrench can be provided to assure that the mated connectors are securely tightened to a specified torque range of 1.5 to 3 N·m.

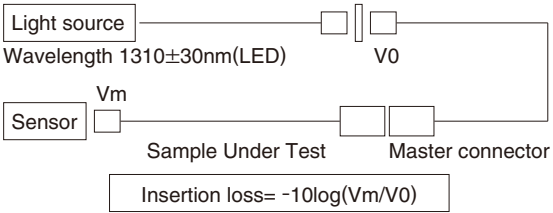
5. Water proof(IP67) protective cap.

Weather-resistance plastic cap attached.



Product Specifications

Ratings	Operating temperature range	-40°C to +85°C	Storage temperature range	-25°C to +75°C
---------	-----------------------------	----------------	---------------------------	----------------

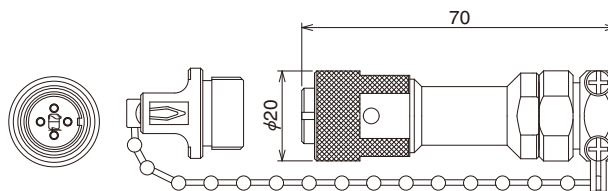
	Item	Test method	Specifications
Optical characteristics	Insertion loss	 <p>Light source Wavelength 1310±30nm(LED) V0 Sensor Vm Sample Under Test Master connector Insertion loss= $-10\log(Vm/V0)$</p>	SM: 1.4dB max. (Average 0.3dB) MM: 0.7dB max. (Average 0.1dB) (Note)
Mechanical characteristics	Cable retention (Straight pull)	200N tensile loads	1) Insertion loss fluctuation after test: 0.3dB max. 2) No visible damage or components dislocation.
	Durability (mating/un-mating)	200 times	
	Vibration	Frequency: 10 to 55Hz, single amplitude of 0.75mm, acceleration of 98.1 m/s ² , 2 hours in each of the 2 axis.	
	Shock	Acceleration of 981 m/s ² , 6 ms duration, sine half-wave waveform, 3 cycles in each of the 2 axis.	
Environmental characteristics	Humidity (Temperature/humidity-cycles)	-10°C to +65°C, humidity: 90% to 96% 10 cycles (240 hours)	1) Insertion loss fluctuation after test: 0.3dB max. 2) No visible damage or components dislocation.
	Temperature cycle	-40°C to +75°C, 42 cycles	
	Dry heat	240 hours at +85°C	
	Cold	240 hours at -40°C	
	Salt mist	500 hours (chrome plating), 240 hours (nickel plating) in a 5% concentration of salt mist	No corrosion.
	Air tight	Air pressure: 4.9 kPa, Submerged for one minute	No air foam leakage

Note: Total insertion loss of connection (plug, receptacle and master cord). (Multi-Mode: Used 1.5dB mode scrambler)

Materials / Finish

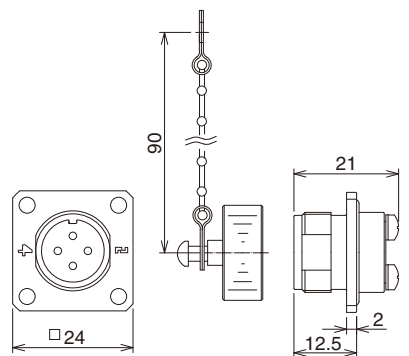
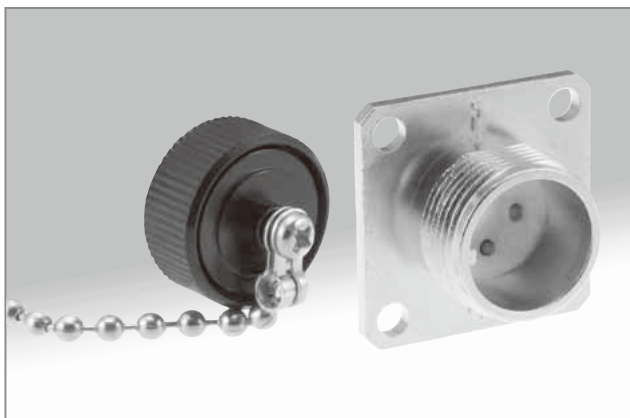
Part	Material	Finish/Color	Remarks
Plug and receptacle housing	Zinc alloy	Chrome plated (Black) or nickel plated	_____
	Brass	Chrome plated (Black) or nickel plated	_____
Retainer plate	Synthetic resin	_____	UL94V-0
Hole cap	Synthetic resin	_____	UL94V-0
Screws, ball chain	Stainless steel	_____	_____
Spring	Steel alloy	Zinc plated	_____
Split sleeve	Zirconia	_____	_____
Coupling wrench (Optional)	Plastic	Blue	_____

■ Plug housings

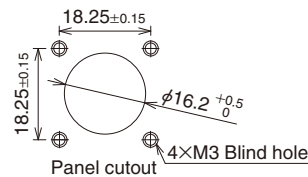


Part Number	CL No.	Plating
MF12S-WP8C01-0400	CL709-0536-5-00	Ni
MF12S-WP8CH01-0400	CL709-0603-0-00	Cr

■ Receptacle housings



Part Number	CL No.	Plating
MF12S-WDRF01-0400	CL709-0537-8-00	Ni
MF12S-WDRFH01-0400	CL709-0604-3-00	Cr



Notes *

Cr : Chrome plating (Black), Ni : Nickel plating
 N : Normal flange, W : Wide flange

■ Coupling wrench (Optional)

Part Number	CL No.
MF12S-T1	CL709-0605-6-00

SC

FC

LTD. All Rights Reserved.

Environment

Attenuators

Terminators

POF / PCF