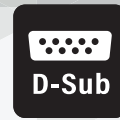


RD*D Series

RD*D Series Right Angle Type D-subminiature Connector



D-Sub

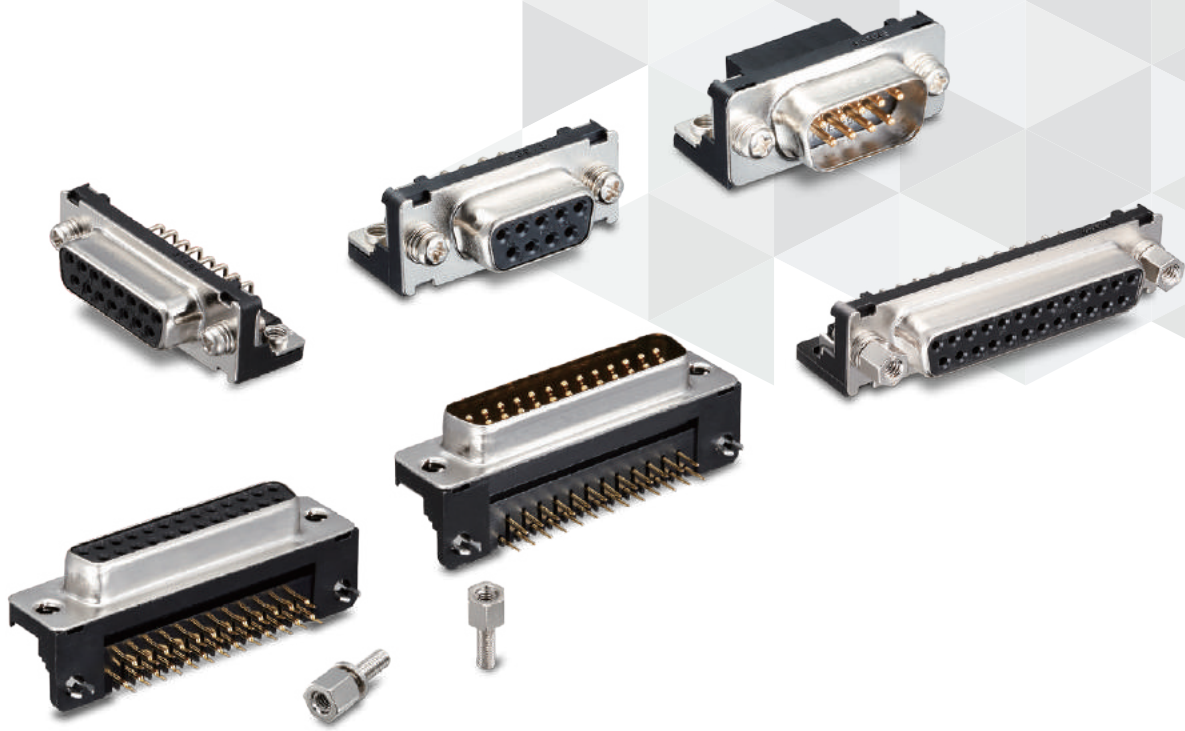
D-Sub



Wide Variation



Right Angle



Apr. 1. 2024 Copyright 2024 HIROSE ELECTRIC CO., LTD. All Rights Reserved.



Overview

The RD*D Series is an insert molded connector mounted parallel to the print board. Direct connection to the circuit on the printed board is ideal for reducing wiring work and enhancing reliability. The series is available in pin counts of 9, 15, 25, 37pos. (37pos. is for the female connector only.)

Features

1. Metal shell contributes to space-saving and robustness.
2. Applicable to a variety of uses due to the accessories.
3. Available in a variety of configurations including solder, crimp, and ribbon IDC.

Product Specifications

Rated Current	3A	Operating Temperature	-55 to +85°C
Rated Voltage	350V AC		

Insulation Resistance	Measured at 500V DC, 5,000M Ω Min.
Contact Resistance	Measured at 100mA DC, 25m Ω Max.
Withstanding Voltage	1250Vr.m.s AC for 1 min.

Materials / Finish

Component	Materials	Color / Finish	Remarks
Shell	Copper	Nickel Plated	-
Insulator	PBT	Black	UL94V-0
Contact	Phosphor Bronze	Partially Gold Plated (Nickel Underplated)	-

Product Number Structure

Refer to the chart below when determining the product specifications from the product number.
Please select from the product numbers listed in this catalog when placing orders.

■ Type Without Lock

RD E D - 9 S (55)

① ② ③ ④ ⑤ ⑧

■ Type With Hexagonal Bracket to Secure Lock

RD E D - 9 S A - LNA (4-40) (55)

① ② ③ ④ ⑤ ⑥ ⑦ ⑧

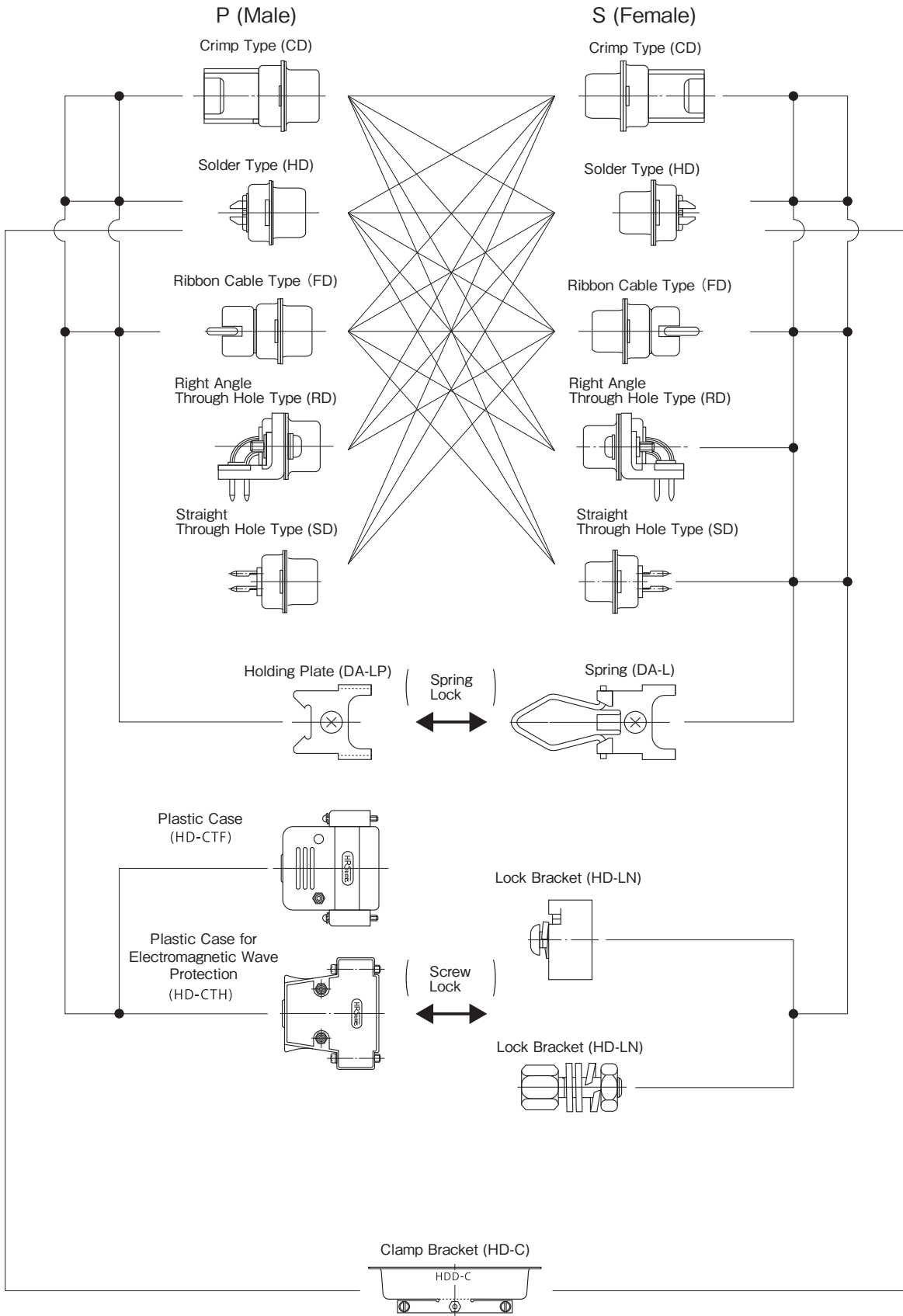
■ Rear Attachment Lock Type

RD E D - 9 S E1/M2.6 (55)

① ② ③ ④ ⑤ ⑥ ⑧

① Series Name	RD*D Sub Right Angle Type	⑥ PCB Mounting Shape (Ground Terminal)	Blank : M3 × 0.5
② Shell Size	E, A, B, C		E : PCB (t = 1.6) Friction Lock Pin for Temporary Securing
③ Serial Symbol	D	⑦ Lock Device	E1/M2.6 : PCB (t = 1.6) Friction Lock Pin for Temporary Securing /Lock Reciever M2.6 Screw
④ No. of Pos.	9, 15, 25, 37		Hexagon LNA : M2.6 × 0.45 LNA(4-40) : No.4-40UNC
⑤ Contact Mating Port Gender	S : Female Contact P : Male Contact	⑧ Specifications	(55) : Nickel Plated Shell

Generic D-Sub Series Function Diagram

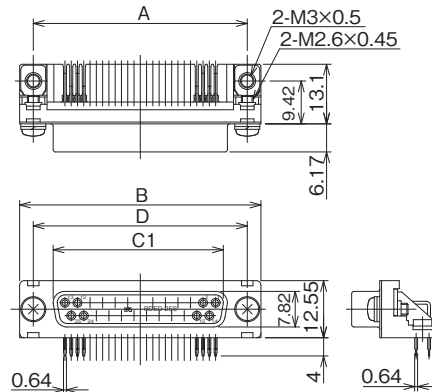


Type Without Lock

Metric Screw Type



RDED-9S(55)



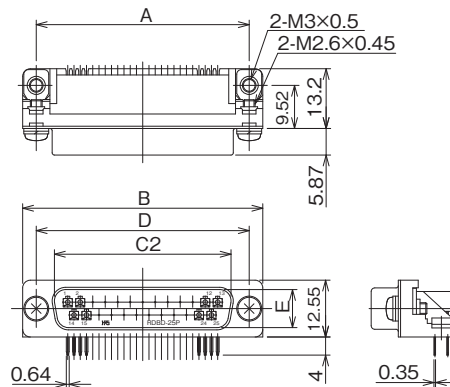
Panel Mounting Screw : M2.6×0.45 (Metric Screw)
Ground Terminal (Part Attached to Board) : M3×0.5

Unit : mm

Part No.	HRS No.	No. of Pos.	A	B	C1	D	Purchase Unit
RDED-9S(55)	CL0211-0312-3-55	9	24.99	30.81	16.4	24.99	60pcs per tray
RDAD-15S(55)	CL0211-0315-1-55	15	33.32	39.14	24.59	33.32	45pcs per tray
RDCD-37S(55)	CL0211-0318-0-55	37	63.5	69.32	54.76	63.5	25pcs per tray



RDED-9P(55)



Panel Mounting Screw : M2.6 × 0.45 (Metric Screw)
Ground Terminal (Part Attached to Board) : M3 × 0.5

Unit : mm

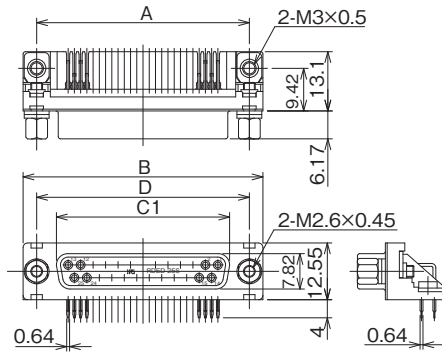
Part No.	HRS No.	No. of Pos.	A	B	C2	D	E	Purchase Unit
RDED-9P(55)	CL0211-0475-8-55	9	24.99	30.81	16.9	24.99	8.34	63pcs per tray
RDAD-15P(55)	CL0211-0496-8-55	15	33.32	39.14	25.24	33.32		45pcs per tray

Type With Hexagonal Bracket to Secure Lock (LNA)

Metric Screw Type



RDBD-25S-LNA(55)



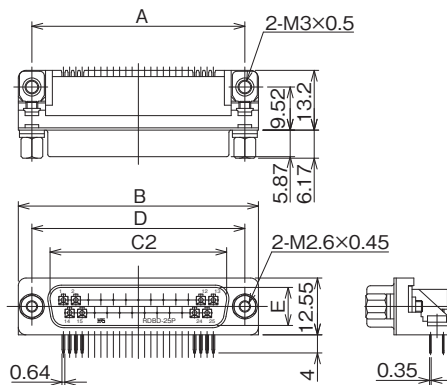
Hexagonal Mating Screw : M2.6X0.45 (For Metric Screw)
 Ground Terminal (Part Attached to Board) : M3X0.5

Unit : mm

Part No.	HRS No.	No. of Pos.	A	B	C1	D	Purchase Unit
RDED-9S-LNA(55)	CL0211-0314-9-55	9	24.99	30.81	16.4	24.99	60pcs per tray
RDAD-15S-LNA(55)	CL0211-0317-7-55	15	33.32	39.14	24.59	33.32	45pcs per tray
RDBD-25S-LNA(55)	CL0211-0296-9-55	25	47.04	53.04	38.3	47.04	35pcs per tray
RDCD-37S-LNA(55)	CL0211-0320-1-55	37	63.5	69.32	54.76	63.5	25pcs per tray



RDBD-25P-LNA(55)



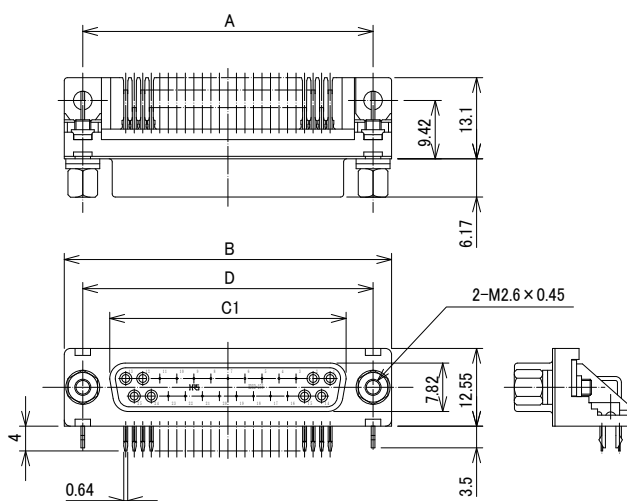
Hexagonal Mating Screw : M2.6X0.45 (For Metric Screw)
 Ground Terminal (Part Attached to Board) : M3X0.5

Unit : mm

Part No.	HRS No.	No. of Pos.	A	B	C2	D	E	Purchase Unit
RDED-9P-LNA(55)	CL0211-0477-3-55	9	24.99	30.81	16.9	24.99	8.34	63pcs per tray
RDAD-15P-LNA(55)	CL0211-0498-3-55	15	33.32	39.14	25.24	33.32		45pcs per tray
RDBD-25P-LNA(55)	CL0211-0369-0-55	25	47.04	53.04	39.01	47.04	8.4	36pcs per tray



RDBD-25SE-LNA(55)



Hexagonal Mating Screw : M2.6X0.45 (For Metric Screw)
Ground Terminal (Part Attached to Board) : Through Hole

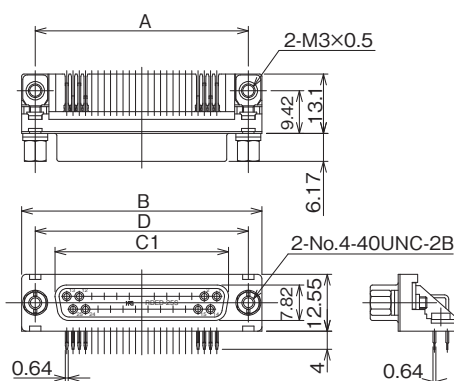
Unit : mm

Part No.	HRS No.	No. of Pos.	A	B	C1	D	Purchase Unit
RDED-9SE-LNA(55)	CL0211-0422-1-55	9	24.99	30.81	16.4	24.99	60pcs per tray
RDAD-15SE-LNA(55)	CL0211-0334-6-55	15	33.32	39.14	24.59	33.32	45pcs per tray
RDBD-25SE-LNA(55)	CL0211-0333-3-55	25	47.04	53.04	38.3	47.04	35pcs per tray
RDCD-37SE-LNA(55)	CL0211-0357-1-55	37	63.5	69.32	54.76	63.5	25pcs per tray

Inch Screw Type



RDBD-25S-LNA(4-40)(55)



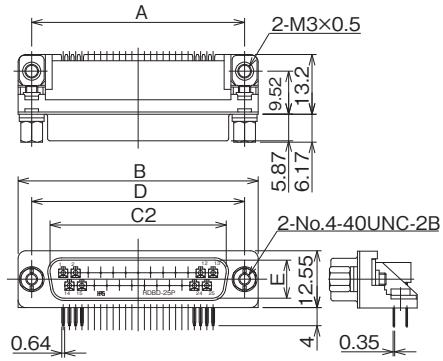
Hexagonal Mating Screw : No.4-40UNC (For Inch Screw)
Ground Terminal (Part Attached to Board) : M3X0.5

Unit : mm

Part No.	HRS No.	No. of Pos.	A	B	C1	D	Purchase Unit
RDED-9S-LNA(4-40)(55)	CL0211-0404-0-55	9	24.99	30.81	16.4	24.99	60pcs per tray
RDAD-15S-LNA(4-40)(55)	CL0211-0384-4-55	15	33.32	39.14	24.59	33.32	45pcs per tray
RDBD-25S-LNA(4-40)(55)	CL0211-0302-0-55	25	47.04	53.04	38.3	47.04	35pcs per tray
RDCD-37S-LNA(4-40)(55)	CL0211-0405-2-55	37	63.5	69.32	54.76	63.5	25pcs per tray



RDBD-25P-LNA(4-40)(55)



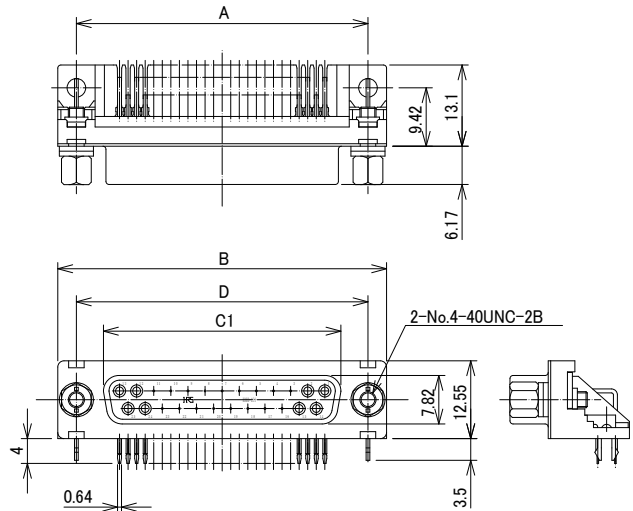
Hexagonal Mating Screw : No.4-40UNC (For Inch Screw)
 Ground Terminal (Part Attached to Board) : M3X0.5

Unit : mm

Part No.	HRS No.	No. of Pos.	A	B	C2	D	E	Purchase Unit
RDAD-9P-LNA(4-40)(55)	CL0211-0480-8-55	9	24.99	30.81	16.9	24.99	8.34	63pcs per tray
RDAD-15P-LNA(4-40)(55)	CL0211-0501-6-55	15	33.32	39.14	25.24	33.32		45pcs per tray
RDBD-25P-LNA(4-40)(55)	CL0211-0372-5-55	25	47.04	53.04	39.01	47.04	8.4	36pcs per tray



RDBD-25SE-LNA(4-40)(55)



Hexagonal Mating Screw : No.4-40UNC (For Inch Screw)
 Ground Terminal (Part Attached to Board) : Through Hole

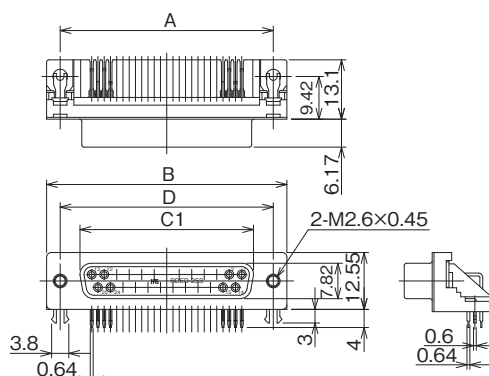
Unit : mm

Part No.	HRS No.	No. of Pos.	A	B	C1	D	Purchase Unit
RDAD-9SE-LNA(4-40)(55)	CL0211-0466-7-55	9	24.99	30.81	16.4	24.99	60pcs per tray
RDAD-15SE-LNA(4-40)(55)	CL0211-0467-0-55	15	33.32	39.14	24.59	33.32	45pcs per tray
RDBD-25SE-LNA(4-40)(55)	CL0211-0438-1-55	25	47.04	53.04	38.3	47.04	35pcs per tray
RDAD-37SE-LNA(4-40)(55)	CL0211-0468-2-55	37	63.5	69.32	54.76	63.5	25pcs per tray

Rear Attachment Lock Type



RDBD-25SE1/M2.6(55)



Hexagonal Mating Screw : None (Can select from dedicated locking screws based on usage.)
 Ground Terminal (Part Attached to Board) : With Friction Lock Pin for Temporary Securing to Board
 Applicable Board Thickness : 1.6mm

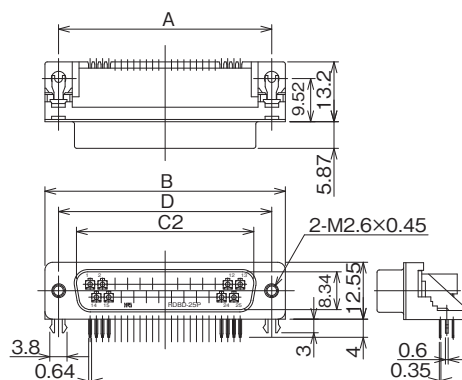
Unit : mm

Part No.	HRS No.	No. of Pos.	A	B	C1	D	Purchase Unit
RDED-9SE1/M2.6(55)	CL0211-5195-9-55	9	24.99	30.81	16.4	24.99	60pcs per tray
RDAD-15SE1/M2.6(55)	CL0211-5169-9-55	15	33.32	39.14	24.59	33.32	45pcs per tray
RDBD-25SE1/M2.6(55)	CL0211-5197-4-55	25	47.04	53.04	38.3	47.04	35pcs per tray
RDGD-37SE1/M2.6(55)	CL0211-5198-7-55	37	63.5	69.32	54.76	63.5	25pcs per tray

Note : The screw of HD-LN cannot be used.



RDBD-25PE1/M2.6(55)



Hexagonal Mating Screw : None (Can select from dedicated locking screws based on usage.)
 Ground Terminal (Part Attached to Board) : With Friction Lock Pin for Temporary Securing to Board
 Applicable Board Thickness : 1.6mm

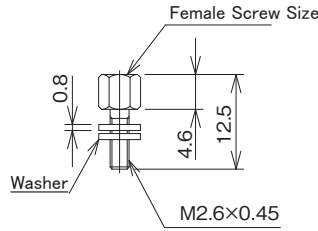
Unit : mm

Part No.	HRS No.	No. of Pos.	A	B	C2	D	Purchase Unit
RDED-9PE1/M2.6(55)	CL0211-5168-6-55	9	24.99	30.81	16.9	24.99	63pcs per tray
RDAD-15PE1/M2.6(55)	CL0211-5196-1-55	15	33.32	39.14	25.24	33.32	45pcs per tray
RDBD-25PE1/M2.6(55)	CL0211-5170-8-55	25	47.04	53.04	39.01	47.04	36pcs per tray

Note : The screw of HD-LN cannot be used.

Rear Attachment Lock

Dedicated Mating Screw



RDG-LNA-W2

Unit : mm

Female Screw	Part No.	HRS No.	No. of Washers	Recommended Panel Thickness	Purchase Unit
M2.6 × 0.45	RDG-LNA(01)	CL0211-5180-1-01	0	1.6 ~ 2.0	100pcs per bag
	RDG-LNA-W1(01)	CL0211-5181-4-01	1	0.8 ~ 1.2	
	RDG-LNA-W2(01)	CL0211-5182-7-01	2	0 ~ 0.4	
NO.4-40UNC	RDG-LNA(4-40)(01)	CL0211-5183-0-01	0	1.6 ~ 2.0	
	RDG-LNA(4-40)-W1(01)	CL0211-5184-2-01	1	0.8 ~ 1.2	
	RDG-LNA(4-40)-W2(01)	CL0211-5185-5-01	2	0 ~ 0.4	

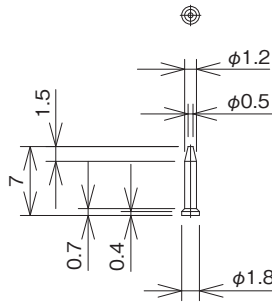
Note 1 : The exterior finish is nickel plating.

Note 2 : 100pcs are in 1 packaging set.

Note 3 : The ground terminal attached to the connector is temporarily attached. Do not press against the ground terminal when mounting the screw.

SM Series (D-sub) Accessory

Mis-insertion Prevention Pin



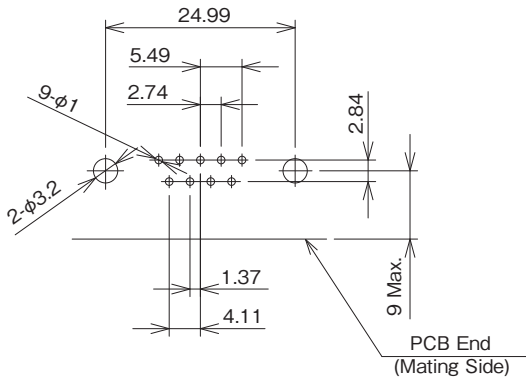
Part No.	HRS No.	Purchase Unit
RDBD-MEKURAPIN	CL0211-0436-6-00	1,000pcs per bag

Note 1 : Can be used with the female connector of the RD, SD and HD Series. For use with the CD Series, crimp contacts must be installed.

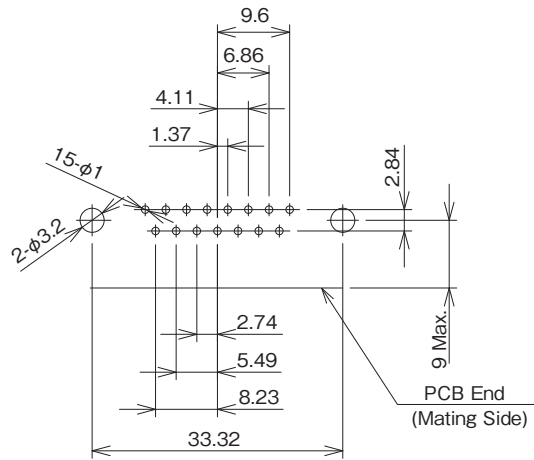
Note 2 : The mating connector is a male CD, which allows the contacts corresponding to the mis-insertion prevention pin to not be inserted.

Back Board Dimension Diagram (mm)

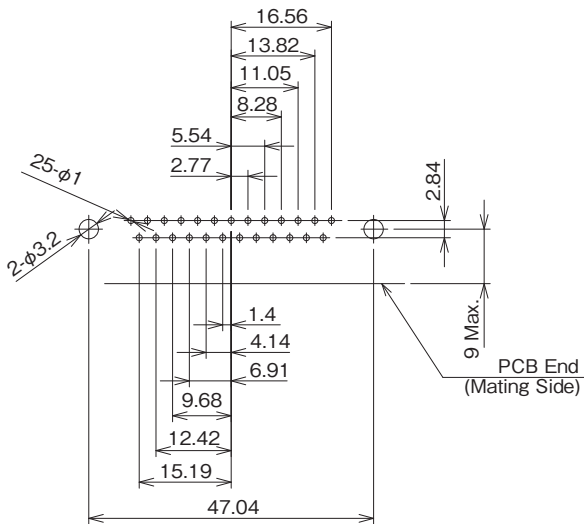
RDED-9



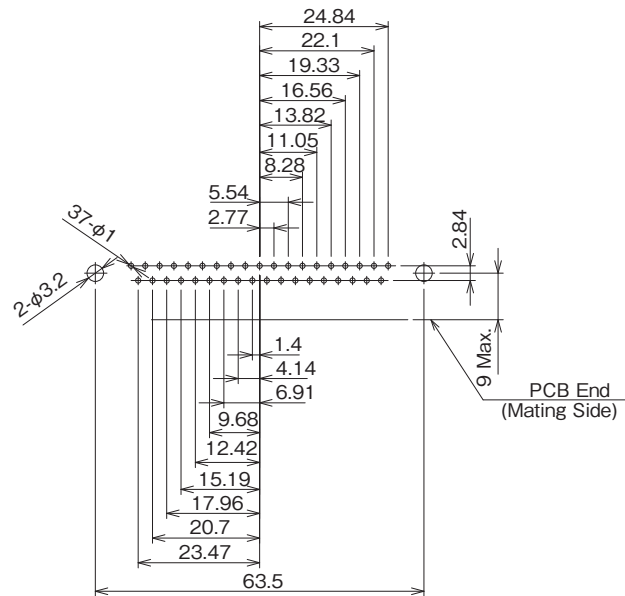
RDAD-15



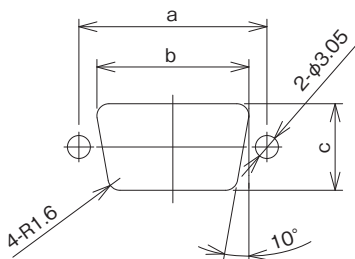
RDBD-25



RDGD-37



Panel Cut-Out Dimensions



Unit : mm

Shell Size	a	b	c
E	24.99	20.2	11.5
A	33.32	28.6	
B	47.04	42.3	
C	63.5	58.7	

While Taking into Consideration

Specifications mentioned in this catalog are reference values.

When considering to order or use this product, please confirm the Drawing and Product Specifications sheets.

Use an appropriate cable when using the connector in combination with cables.

If considering usage of a non-specified cable, please contact your sales representative.

If assembly process is done by jigs & tools which are not identified by Hirose, the warranty of the product may be affected.

If considering usage for below mentioned applications, please contact your sales representative.

In cases where the application will demand a high level of reliability, such as automotive, medical instruments, public infrastructure, aerospace/ defense etc. Hirose must review before assurance of reliability can be given.