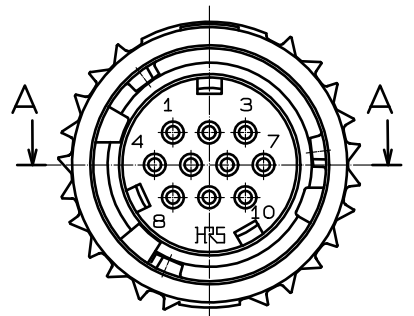
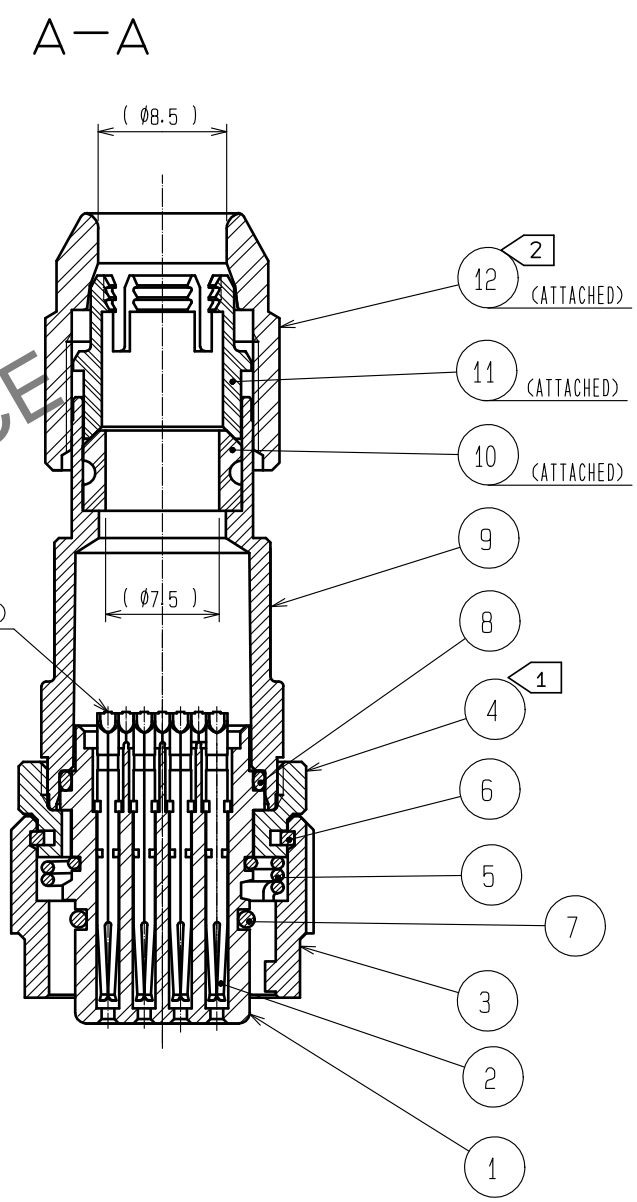
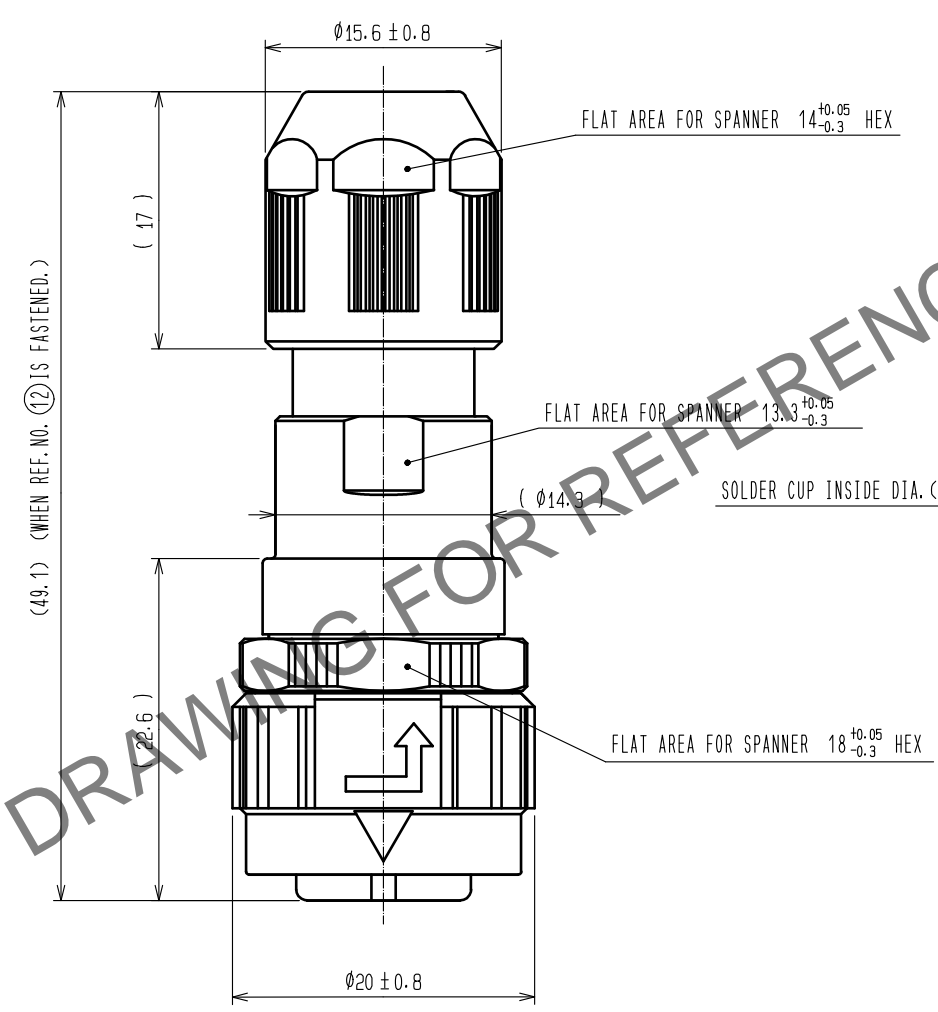
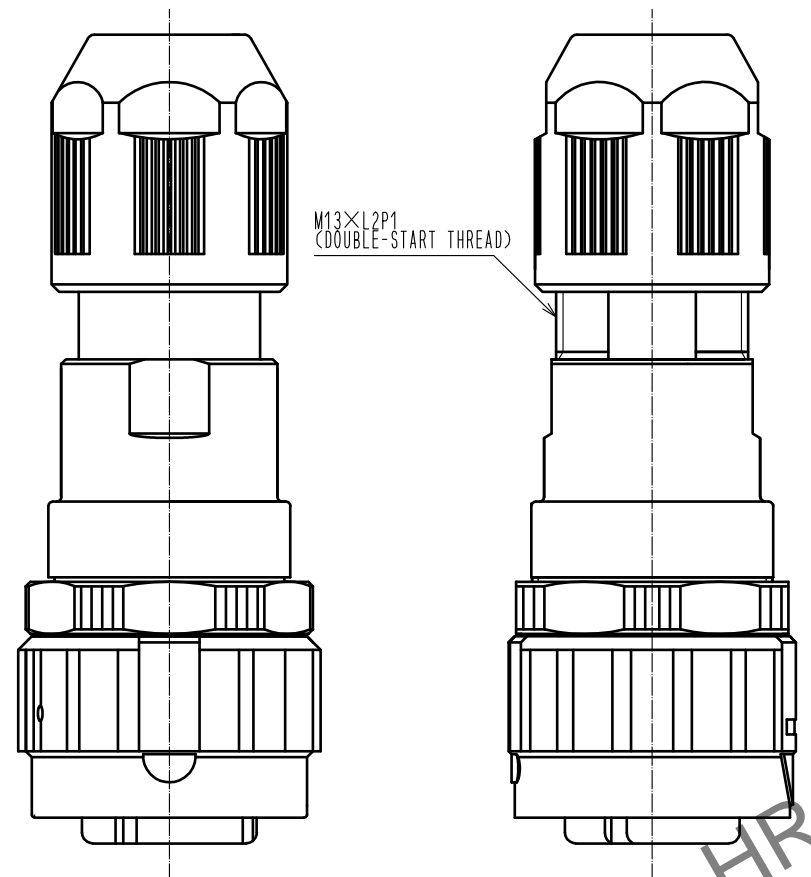
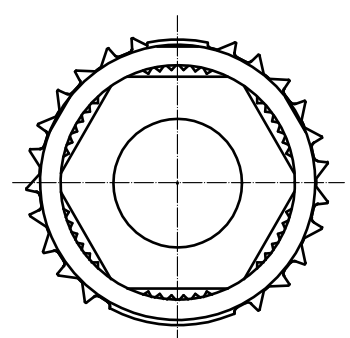


Aug.1.2024 Copyright 2024 HIROSE ELECTRIC CO., LTD. All Rights Reserved.  
In case of consideration for using Automotive equipment / device which demand high reliability, kindly contact our sales window correspondents.



- NOTES
- ① THE RECOMMENDED TIGHTENING TORQUE OF REF. NO. ④: 0.9 TO 1 N · m.  
THE RECOMMENDED ADHESIVE OF REF. NO. ④: LOCTITE 243 MADE BY HENKEL JAPAN LTD.
  - ② THE RECOMMENDED TIGHTENING TORQUE OF REF. NO. ⑫: 0.9 TO 1 N · m.  
THE RECOMMENDED ADHESIVE AND PRIMER OF REF. NO. ⑫: LOCTITE 243 AND LOCK PRIMER 7649 MADE BY HENKEL JAPAN LTD.
  - ③ ROTATION EXAMPLE ARE SHOWN FOR REF. NO. ①, ④, ⑨, AND ⑫.
  - ④ THE CABLE PULL AND TWISTING STRENGTH AND OTHER CHARACTERISTICS MAY DIFER, DEPENDING ON THE CABLE STRUCTURE.  
PLEASE CONFIRM BEFORE THE USE.

5	STAINLESS STEEL		12	POLYPHENYLENE SULFIDE (BLACK) UL94V-0	
4	ZINC ALLOY	NICKEL PLATING	11	POLYAMIDE (WHITE) UL94V-0	
3	ZINC ALLOY	NICKEL PLATING	10	HYDROGENATION ACRYLONITRILE BUTADIENE RUBBER (GRAY)	
2	PHOSPHOR BRONZE	CONTACT AREA : GOLD 0.2μm min. TERMINAL AREA : GOLD FLASH. UNDER PLATING : NICKEL 2μm min.	9	ALUMINIUM ALLOY NICKEL PLATING	
			8	ACRYLONITRILE BUTADIENE RUBBER (BLACK)	
			7	ACRYLONITRILE BUTADIENE RUBBER (BLACK)	
1	POLYPHENYLENE SULFIDE (BLACK) UL94V-0		6	PHOSPHOR BRONZE NICKEL PLATING	
NO.	MATERIAL	FINISH . REMARKS	NO.	MATERIAL	FINISH . REMARKS

UNITS	SCALE	COUNT	DESCRIPTION OF REVISIONS	DESIGNED	CHECKED	DATE
mm	2 : 1	△				
			APPROVED : HY. KOBAYASHI 18.02.26	DRAWING NO. EDC-115932-31-00		
HIROSE ELECTRIC CO., LTD.			CHECKED : HY. KOBAYASHI 18.02.26	PART NO. HR08D-12WPB-10S(31)		
			DESIGNED : DS. MATSUNE 18.02.24	CODE NO. CL108-0231-2-31		
			DRAWN : AI. NISHIYAMA 18.02.16	1/1		