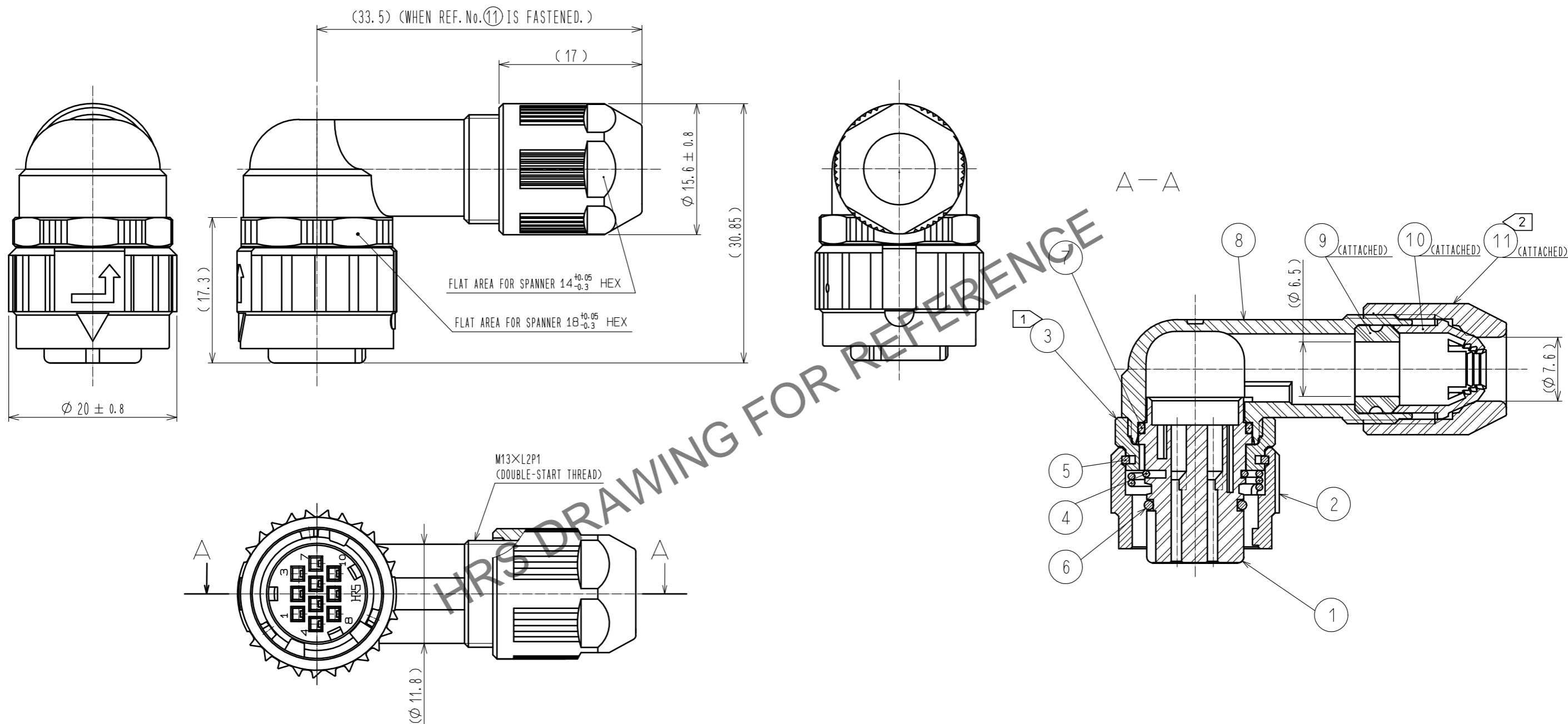


Aug.1.2024 Copyright 2024 HIROSE ELECTRIC CO., LTD. All Rights Reserved.  
In case of consideration for using Automotive equipment / device which demand high reliability, kindly contact our sales window correspondents.



- NOTES
- ① THE RECOMMENDED TIGHTENING TORQUE OF REF. NO. ③: 0.9 TO 1 N · m.  
THE RECOMMENDED ADHESIVE OF REF. NO. ③: LOCTITE 243 AND LOCK PRIMER 7649 MADE BY HENKEL JAPAN LTD.
  - ② THE RECOMMENDED TIGHTENING TORQUE OF REF. NO. ⑪: 0.9 TO 1 N · m.  
THE RECOMMENDED ADHESIVE AND PRIMER OF REF. NO. ⑪: LOCTITE 243 AND LOCK PRIMER 7649 MADE BY HENKEL JAPAN LTD.
  - ③ ROTATION EXAMPLE ARE SHOWN FOR REF. NO. ①, ③, ⑧, AND ⑪.
  - ④ APPLICABLE CRIMP CONTACT: HR34B-SC1-211(CL134-0050-4)  
APPLICABLE WIRE: AWG#20 TO AWG#24(COVERED WIRE MAX. OUTSIDE DIA.  $\phi 1.7$ )  
APPLICABLE CONTACT REMOVAL TOOL(EXTRACTION TOOL): RP6-SC-TP(CL150-0039-0)
  - ⑤ THE CABLE PULL AND TWISTING STRENGTH AND OTHER CHARACTERISTICS MAY DIFER, DEPENDING ON THE CABLE STRUCTURE.  
PLEASE CONFIRM BEFORE THE USE.

NO.	MATERIAL	FINISH	REMARKS	NO.	MATERIAL	FINISH	REMARKS
6	ACRYLONITRILE BUTADIENE RUBBER	(BLACK)					
5	PHOSPHOR BRONZE	NICKEL PLATING		11	POLYPHENYLENE SULFIDE	(BLACK)	UL94V-0
4	STAINLESS STEEL			10	POLYAMIDE	(WHITE)	UL94V-0
3	ZINC ALLOY	NICKEL PLATING		9	HYDROGENATION ACRYLONITRILE BUTADIENE RUBBER	(BLACK)	
2	ZINC ALLOY	NICKEL PLATING		8	POLYAMIDE	(BLACK)	UL94V-0
1	POLYPHENYLENE SULFIDE	(BLACK)	UL94V-0	7	ACRYLONITRILE BUTADIENE RUBBER	(BLACK)	

UNITS	SCALE	COUNT	DESCRIPTION OF REVISIONS	DESIGNED	CHECKED	DATE
mm	2 : 1	△				
APPROVED : HY. KOBAYASHI			18.02.26	DRAWING NO. EDC-117754-31-00		
CHECKED : HY. KOBAYASHI			18.02.26	PART NO. HR08D-12WLPM-10SC(31)		
DESIGNED : DS. MATSUNE			18.02.24	CODE NO. CL108-0270-4-31		
DRAWN : AI. NISHIYAMA			18.02.16			