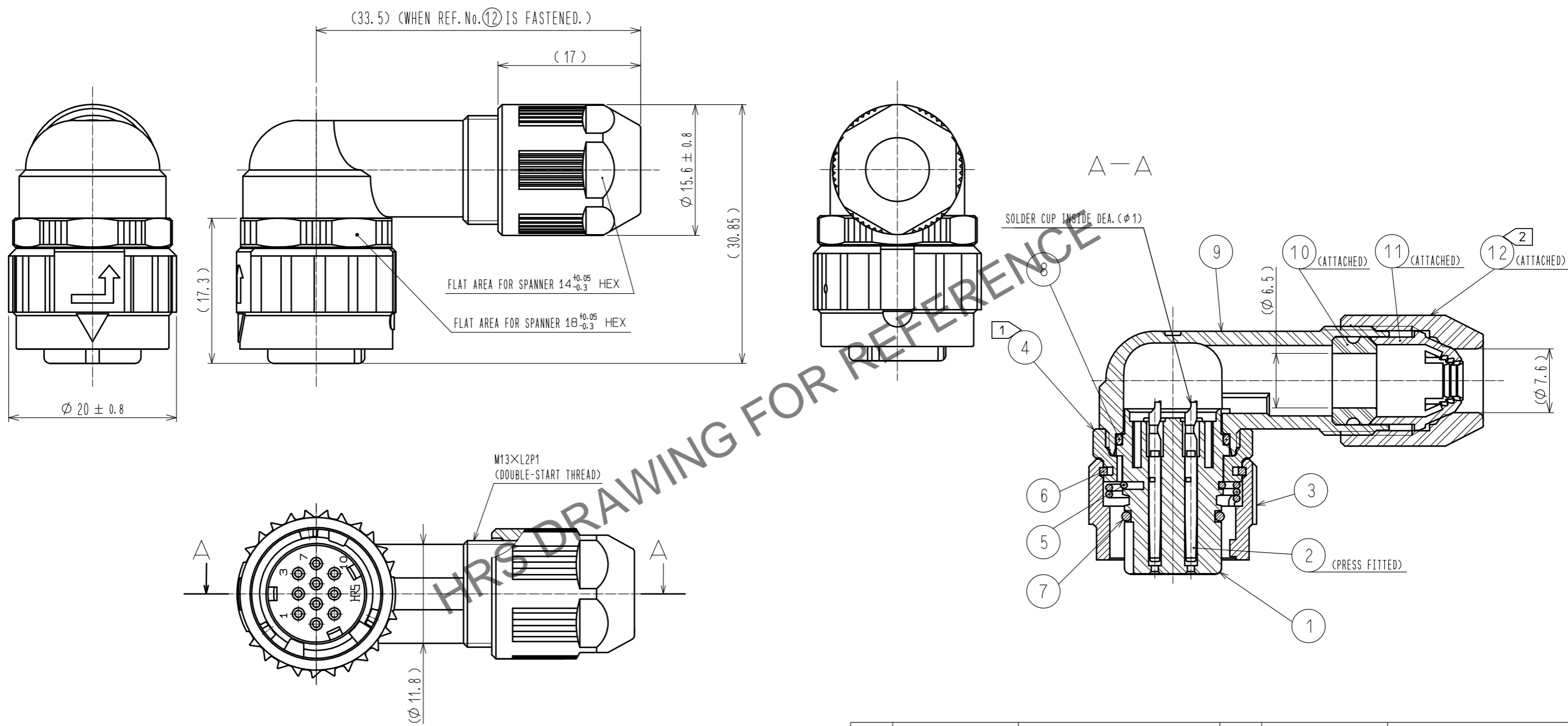


Jul.1.2024 Copyright 2024 HIROSE ELECTRIC CO., LTD. All Rights Reserved.
In case of consideration for using Automotive equipment / device which demand high reliability, kindly contact our sales window correspondents.



- NOTES
- ① THE RECOMMENDED TIGHTENING TORQUE OF REF. NO. ④: 0.9 TO 1 N · m.
THE RECOMMENDED ADHESIVE AND PRIMER OF REF. NO. ④: LOCTITE 243 AND LOCK PRIMER 7649 MADE BY HENKEL JAPAN LTD.
 - ② THE RECOMMENDED TIGHTENING TORQUE OF REF. NO. ⑫: 0.9 TO 1 N · m.
THE RECOMMENDED ADHESIVE AND PRIMER OF REF. NO. ⑫: LOCTITE 243 AND LOCK PRIMER 7649 MADE BY HENKEL JAPAN LTD.
 - ③ ROTATION EXAMPLE ARE SHOWN FOR REF. NO. ①, ④, ⑨, AND ⑫.
 - ④ THE CABLE PULL AND TWISTING STRENGTH AND OTHER CHARACTERISTICS MAY DIFER, DEPENDING ON THE CABLE STRUCTURE.
PLEASE CONFIRM BEFORE THE USE.

| 5 | STAINLESS STEEL | | 12 | POLYPHENYLENE SULFIDE | (BLACK) UL94V-0 |
|-----|-----------------------|--|-----|--|------------------|
| 4 | ZINC ALLOY | NICKEL PLATING | 11 | POLYAMIDE | (WHITE) UL94V-0 |
| 3 | ZINC ALLOY | NICKEL PLATING | 10 | HYDROGENATION ACRYLONITRILE BUTADIENE RUBBER | (BLACK) |
| 2 | PHOSPHOR BRONZE | CONTACT AREA :GOLD 0.2#m min. TERMINAL AREA:GOLD 0.03#m min. UNDER PLATING:NICKEL 2#m min. | 9 | POLYAMIDE | (BLACK) UL94V-0 |
| | | | 8 | ACRYLONITRILE BUTADIENE RUBBER | (BLACK) |
| 1 | POLYPHENYLENE SULFIDE | (BLACK) UL94V-0 | 7 | ACRYLONITRILE BUTADIENE RUBBER | (BLACK) |
| | | | 6 | PHOSPHOR BRONZE | NICKEL PLATING |
| NO. | MATERIAL | FINISH . REMARKS | NO. | MATERIAL | FINISH . REMARKS |

| | | | | | | | |
|---------------------------|--|----------------|-----------|--|---|---------|------|
| UNITS mm | | SCALE 2 : 1 | COUNT | DESCRIPTION OF REVISIONS | DESIGNED | CHECKED | DATE |
| HIROSE ELECTRIC CO., LTD. | | | | APPROVED : HY. KOBAYASHI 18.02.26 CHECKED : HY. KOBAYASHI 18.02.26 DESIGNED : DS. MATSUNE 18.02.24 DRAWN : AI. NISHIYAMA 18.02.22 | DRAWING NO. EDC-117789-31-00 PART NO. HR08D-12WLPM-10S(31) CODE NO. CL108-0276-0-31 | | |